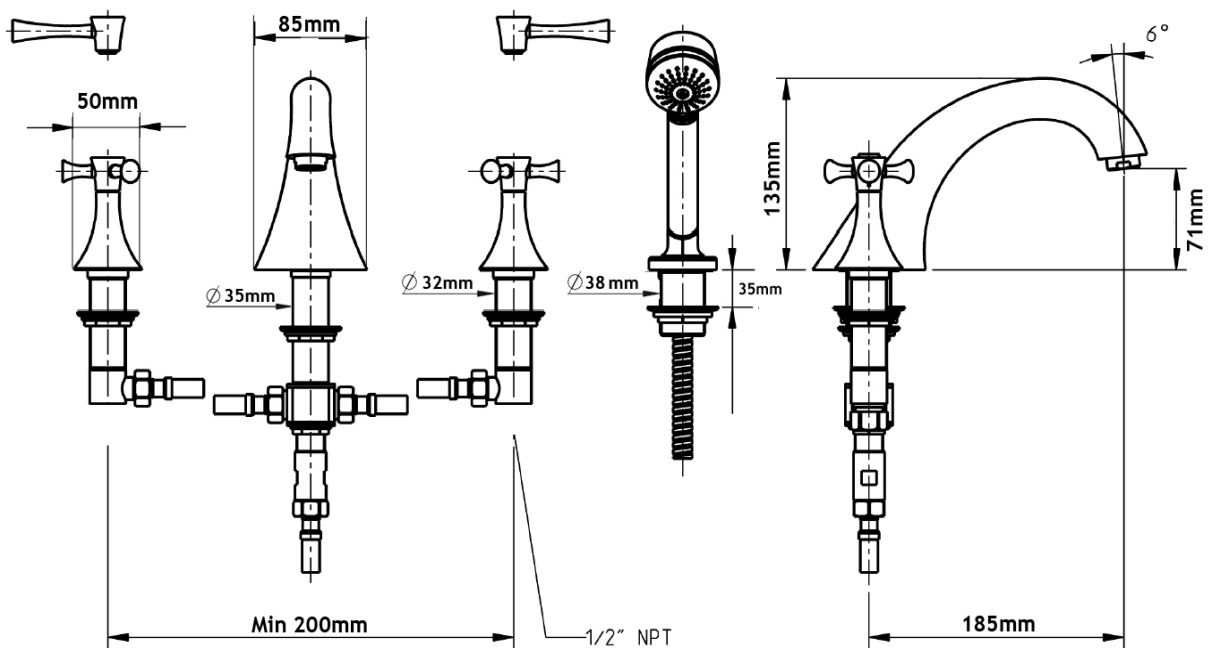


TECHNICAL DRAWING

Brookhaven 4h Bath Mixer

Code: 31407MW.L
31407MW.X



CIFIAL 

CIFIAL UK LTD
7 Faraday Court, Park Farm Ind Est
Wellingborough, Northants NN8 6XY
Tel: 01933 402008 Fax: 01933 402063
Email: sales@cifial.co.uk
Website: www.cifial.co.uk

1	Spline extension	2
2	Spray Support mounting handshower	1
3	Flexible Hose	1
4	Deck Mounted Shower Handset	1
5	Spout	1
6	Leader Hose	1
7	Diverter Rod	1
9	Diverter Rod Knob	1
10	Aerator assembly	1
11	Spline extension set screw	2
12	Cross Handle	2
14	Lever Handle	2
15	Spout Set Screw	1
16	Handle Set Screw	2
18	Crown Bell	2
19	Handshower Support	1

