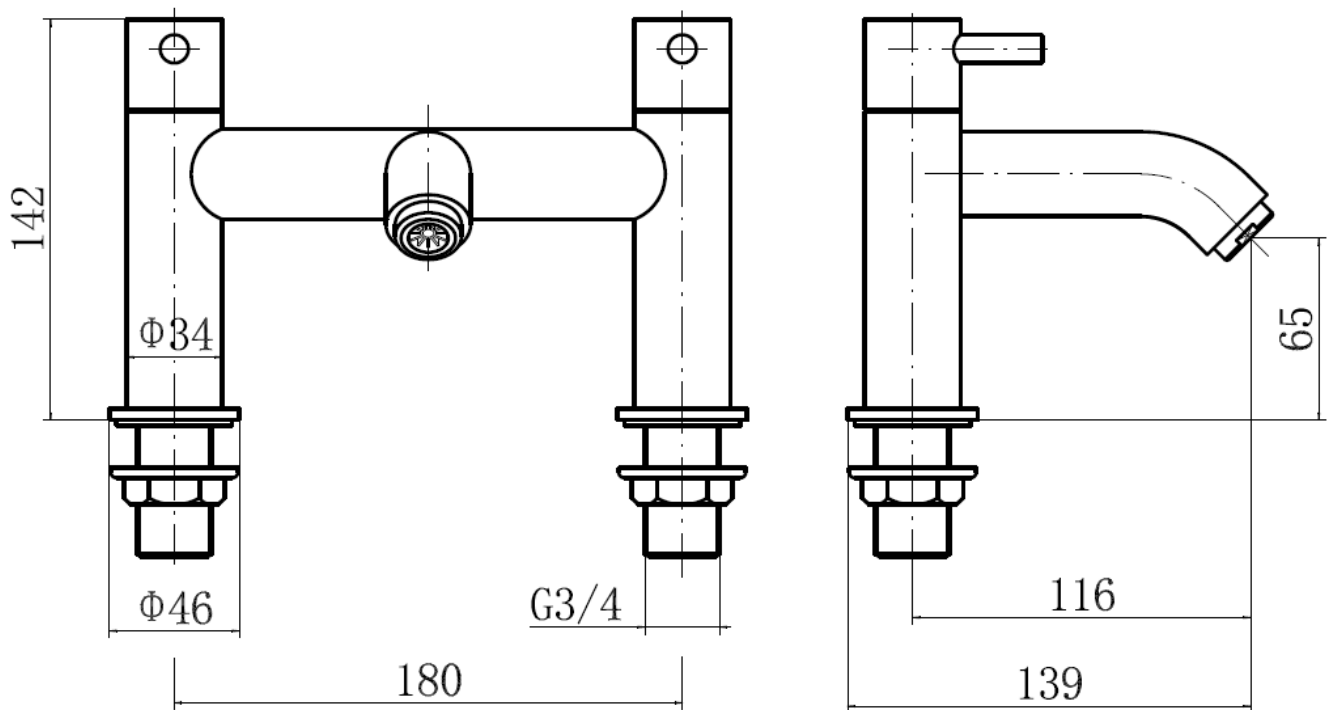
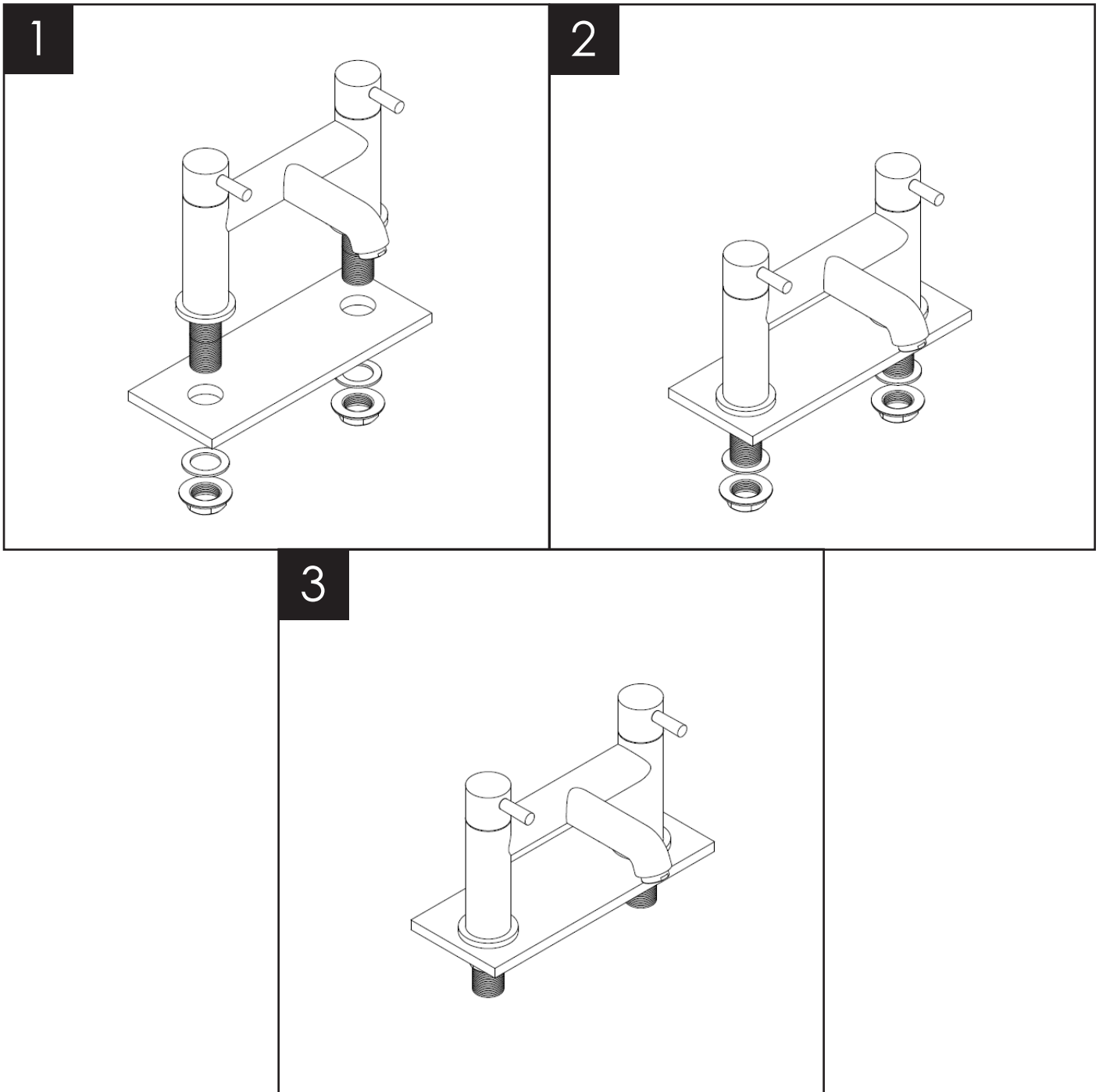


CITY

2 hole deck bath filler





FLOW RATES (l/min)	0.2 bar	0.5 bar	1 bar	2 bar	3 bar	5 bar
Bath Filler	15.4	23.2	31.9	44.6	54.8	69.7