



OPERATING CONDITIONS

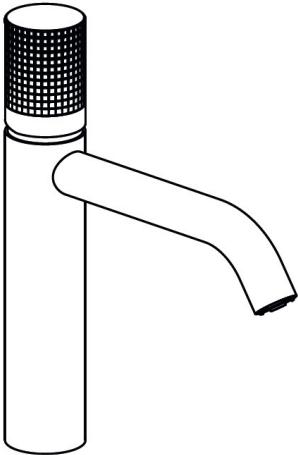
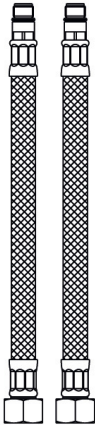
- Minimum dynamic pressure.....1 bar
- Recommended working pressure (static).....3 bar
(ATTENTION: when pressure exceeds 5 bar, the installation of a pressure reducer is recommended)
- Maximum working pressure (static).....5 bar
- Maximum test pressure (static).....16 bar
- Maximum hot water temperature.....80 °C
- Recommended hot water temperature.....65 °C (for safety and energy saving)









Not included



Included

B1

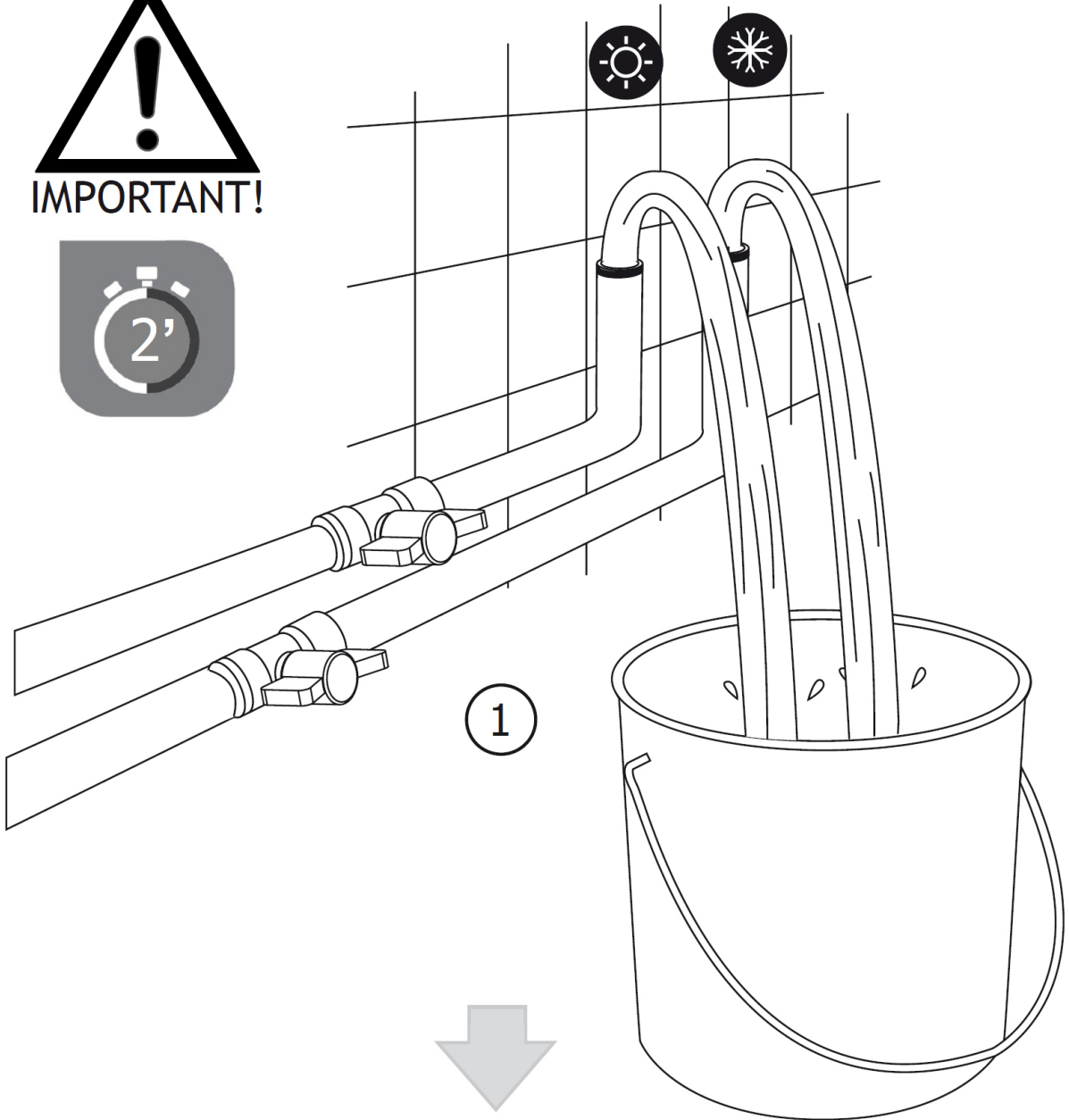
					
A1	A2	A3	A4	A5	D

CIFIAL®

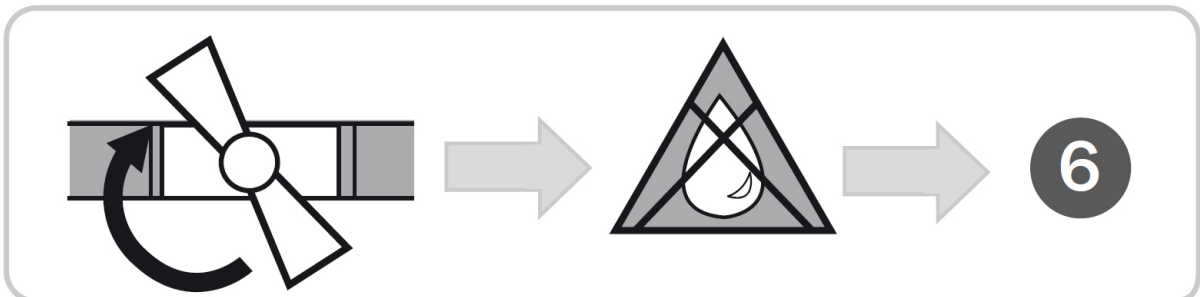
www.cifial.co.uk
sales@cifial.co.uk



IMPORTANT!

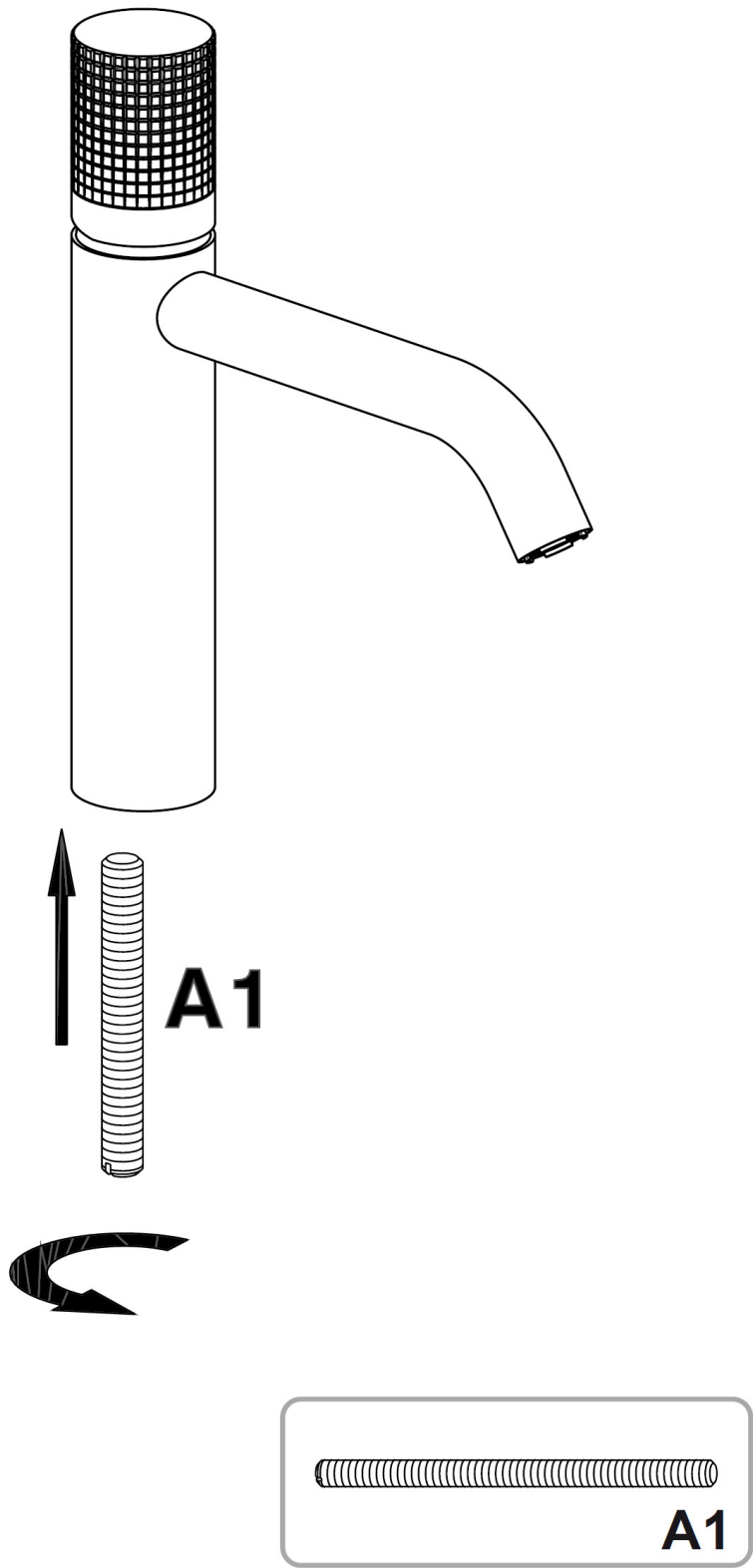


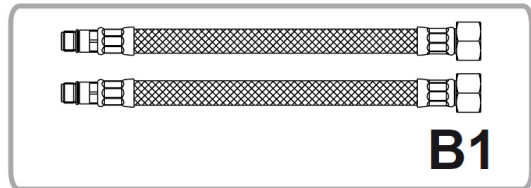
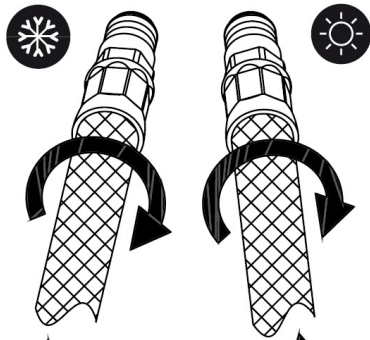
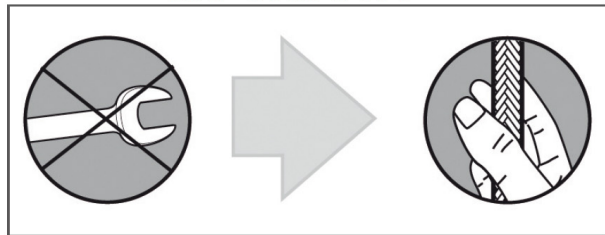
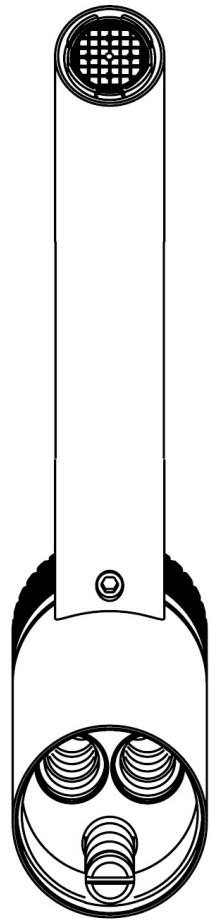
2



CIFIAL[®]

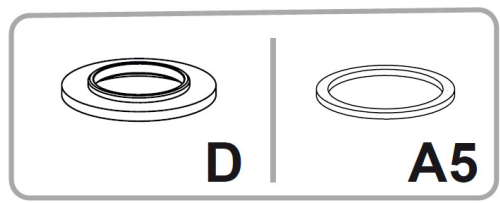
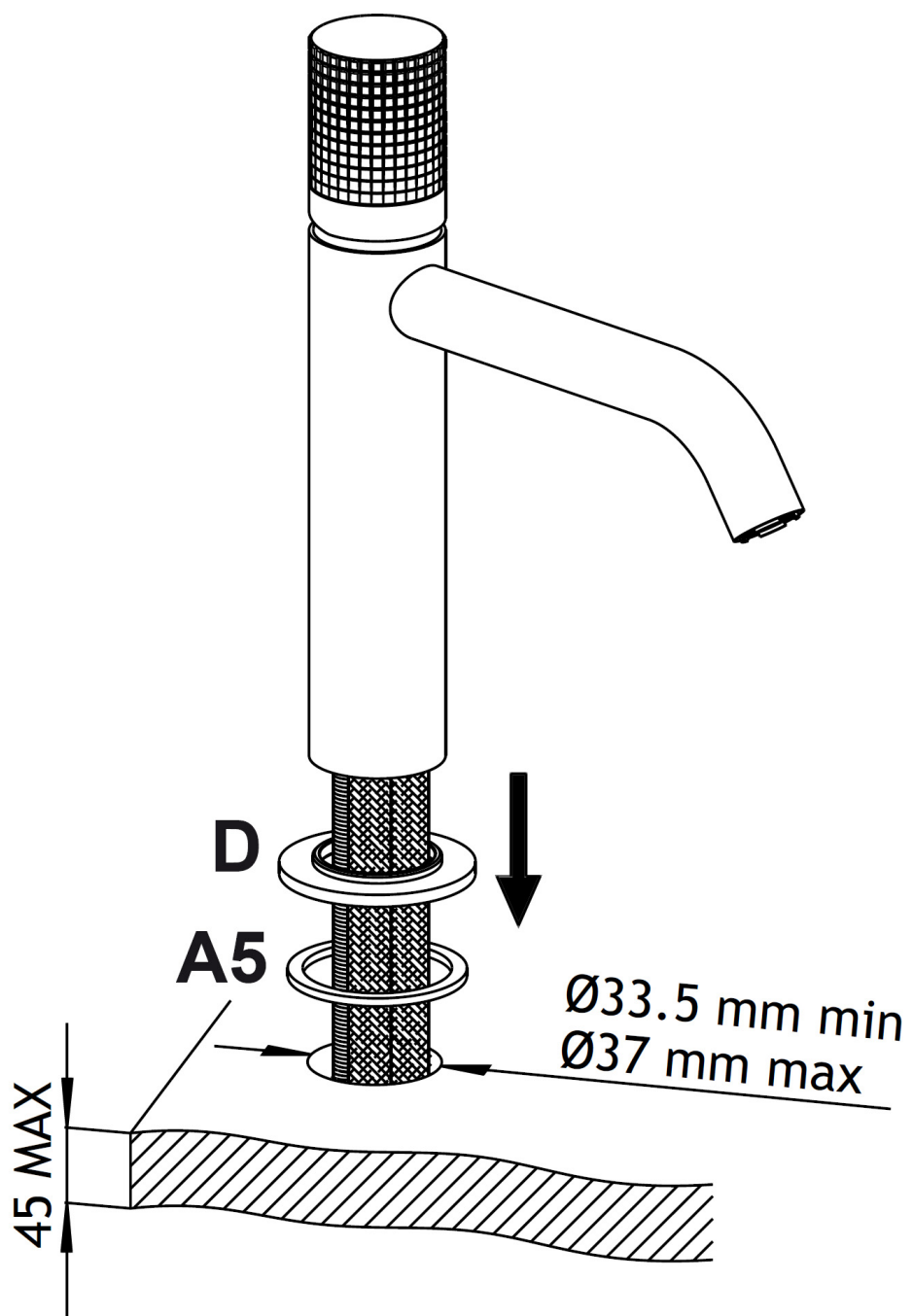
www.cifial.co.uk
sales@cifial.co.uk

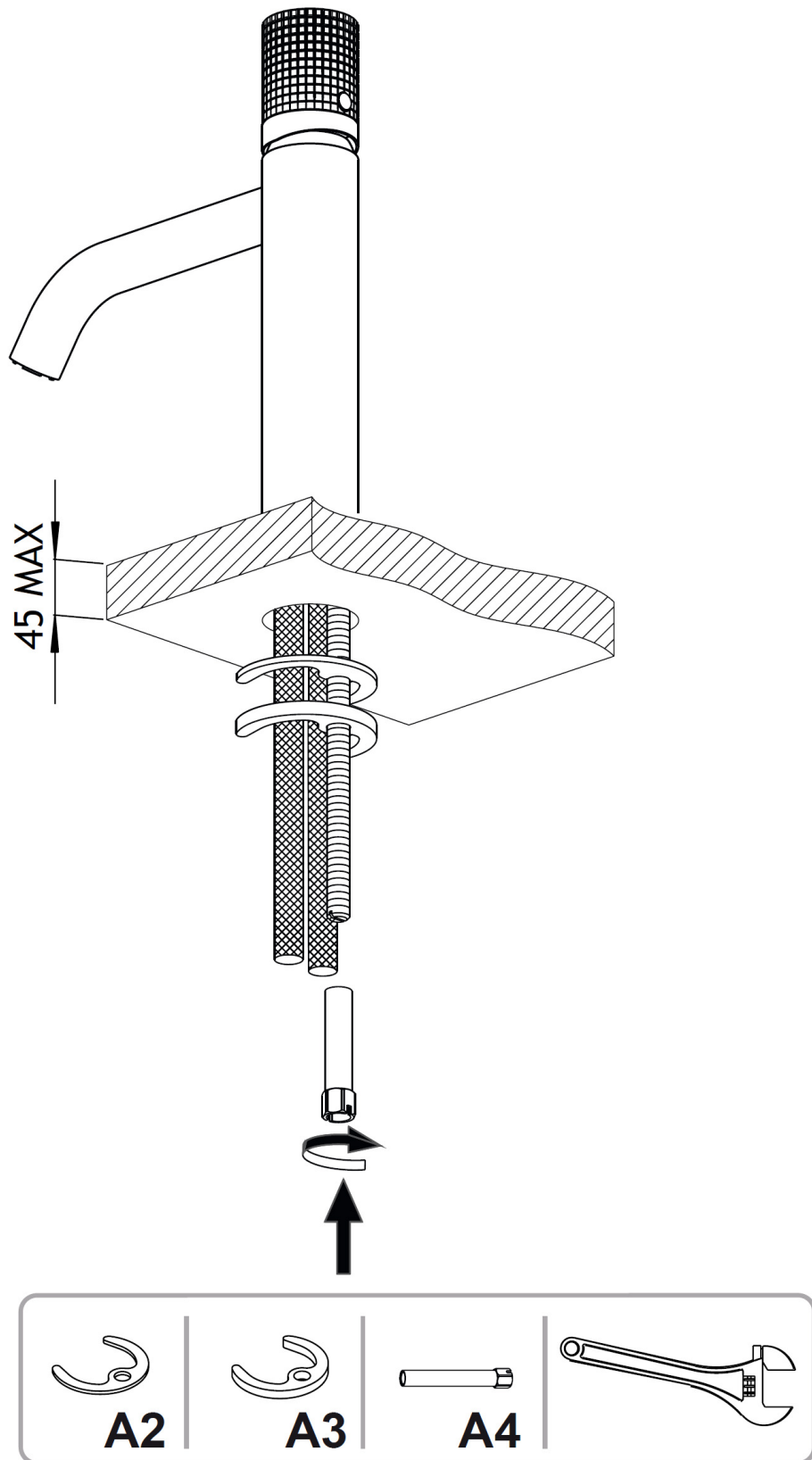




CIFIAL®

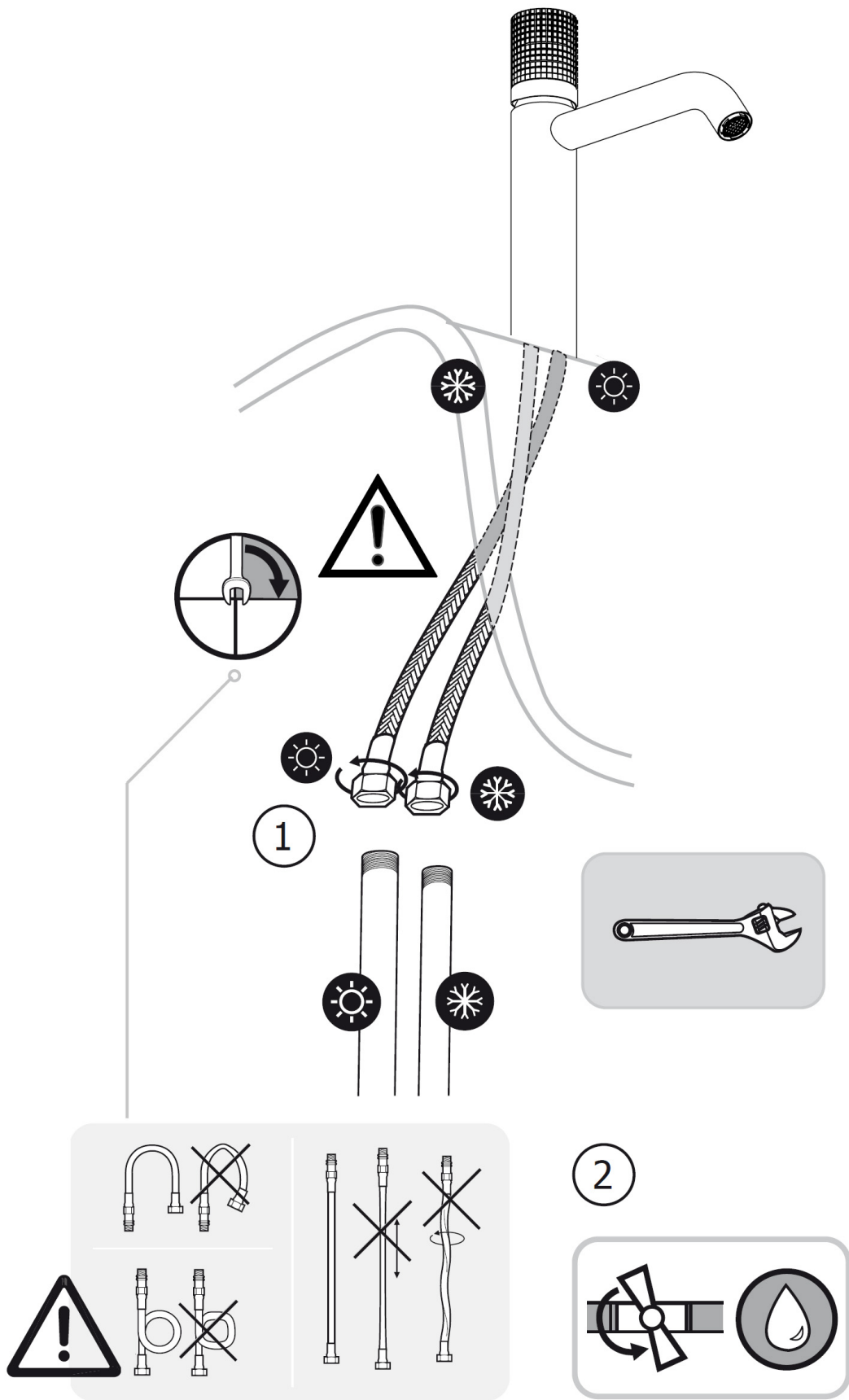
www.cifial.co.uk
sales@cifial.co.uk

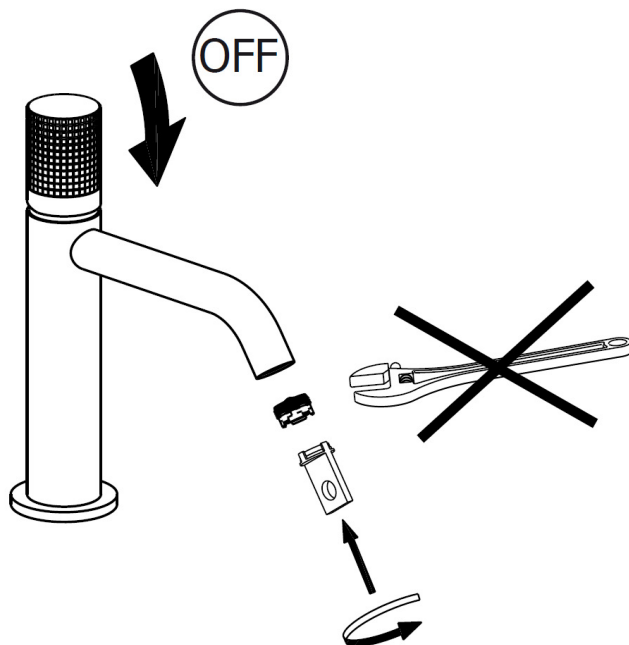
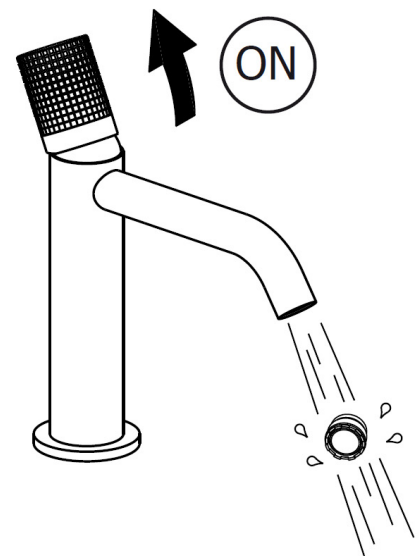
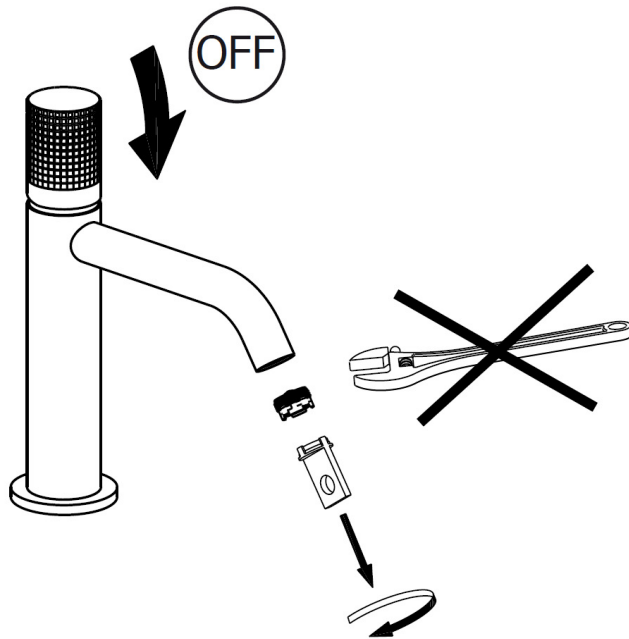




CIFIAL®

www.cifial.co.uk
sales@cifial.co.uk



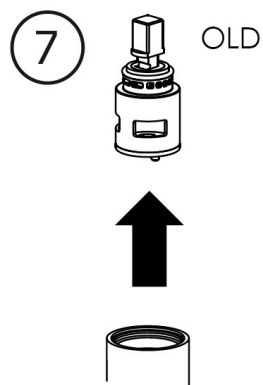
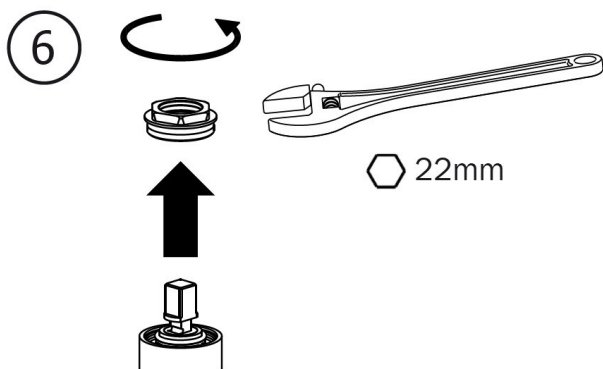
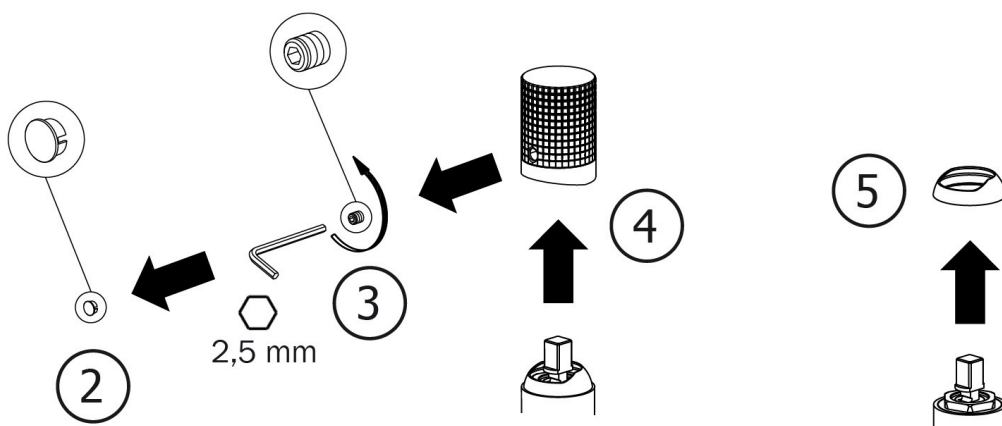
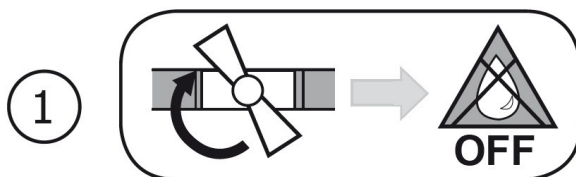
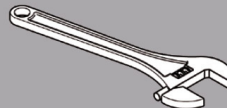
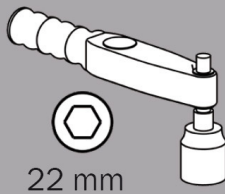


M16x1

CIFIAL®

www.cifial.co.uk
sales@cifial.co.uk

Not included



CIFIAL®

www.cifial.co.uk
sales@cifial.co.uk

