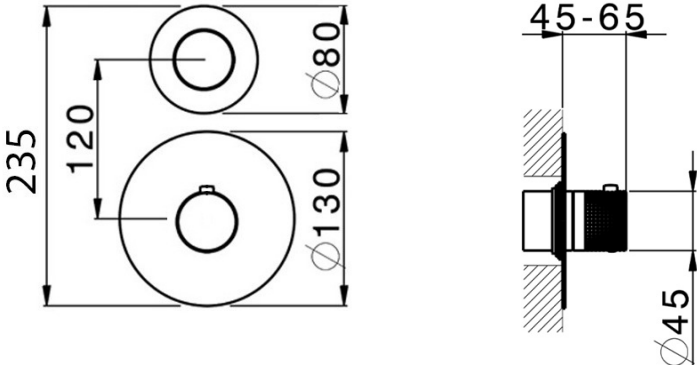
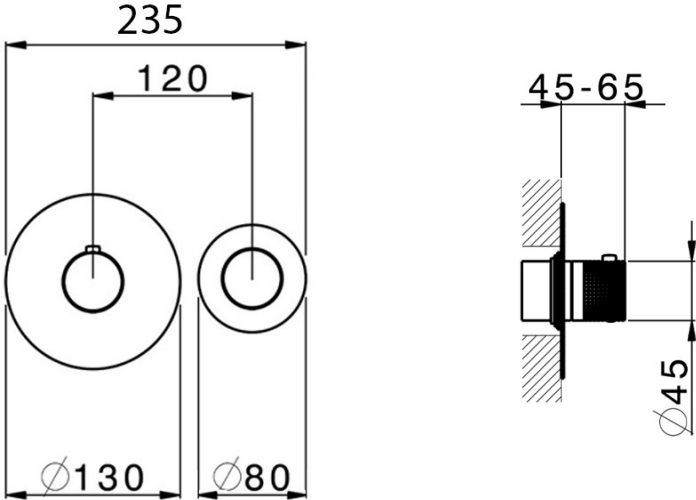


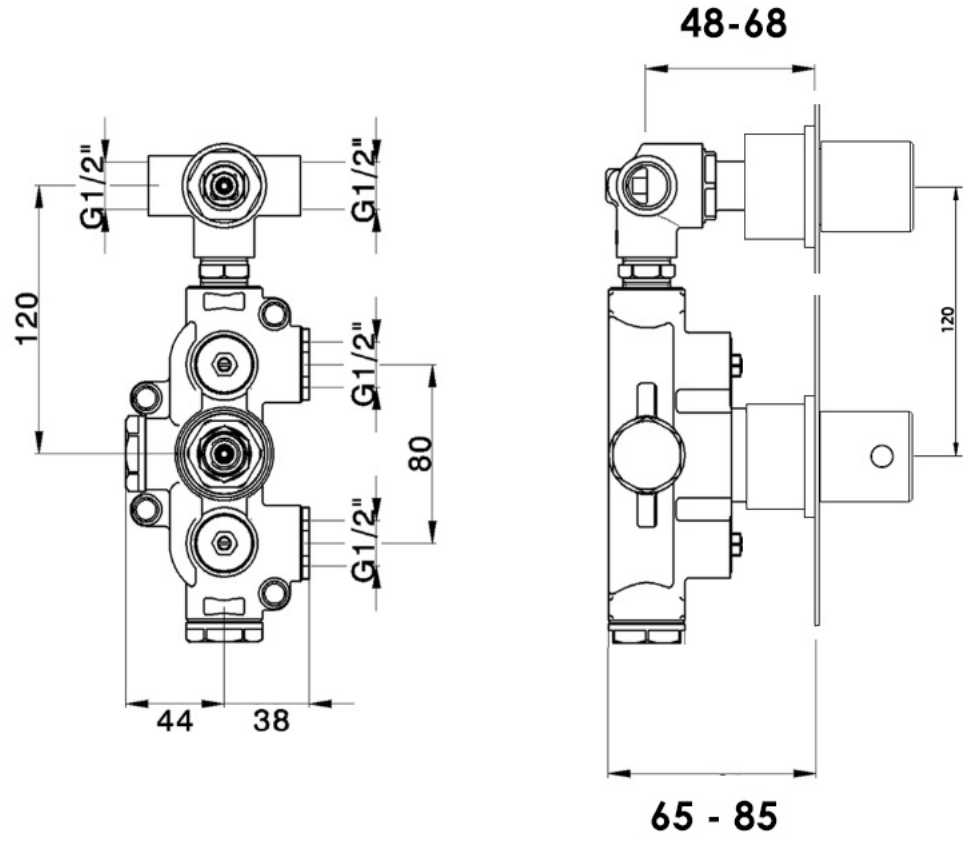
IZZY

Thermostatic valve - 2 outlets

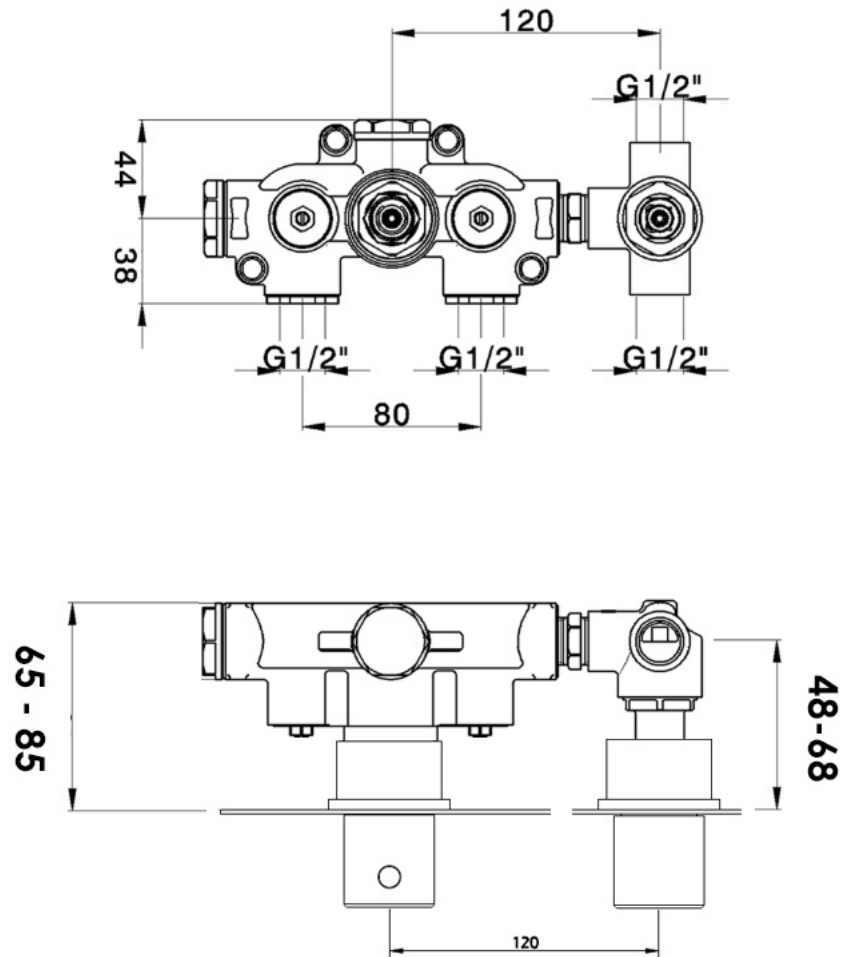


Can be installed either vertically or horizontally





Can be installed either vertically or horizontally

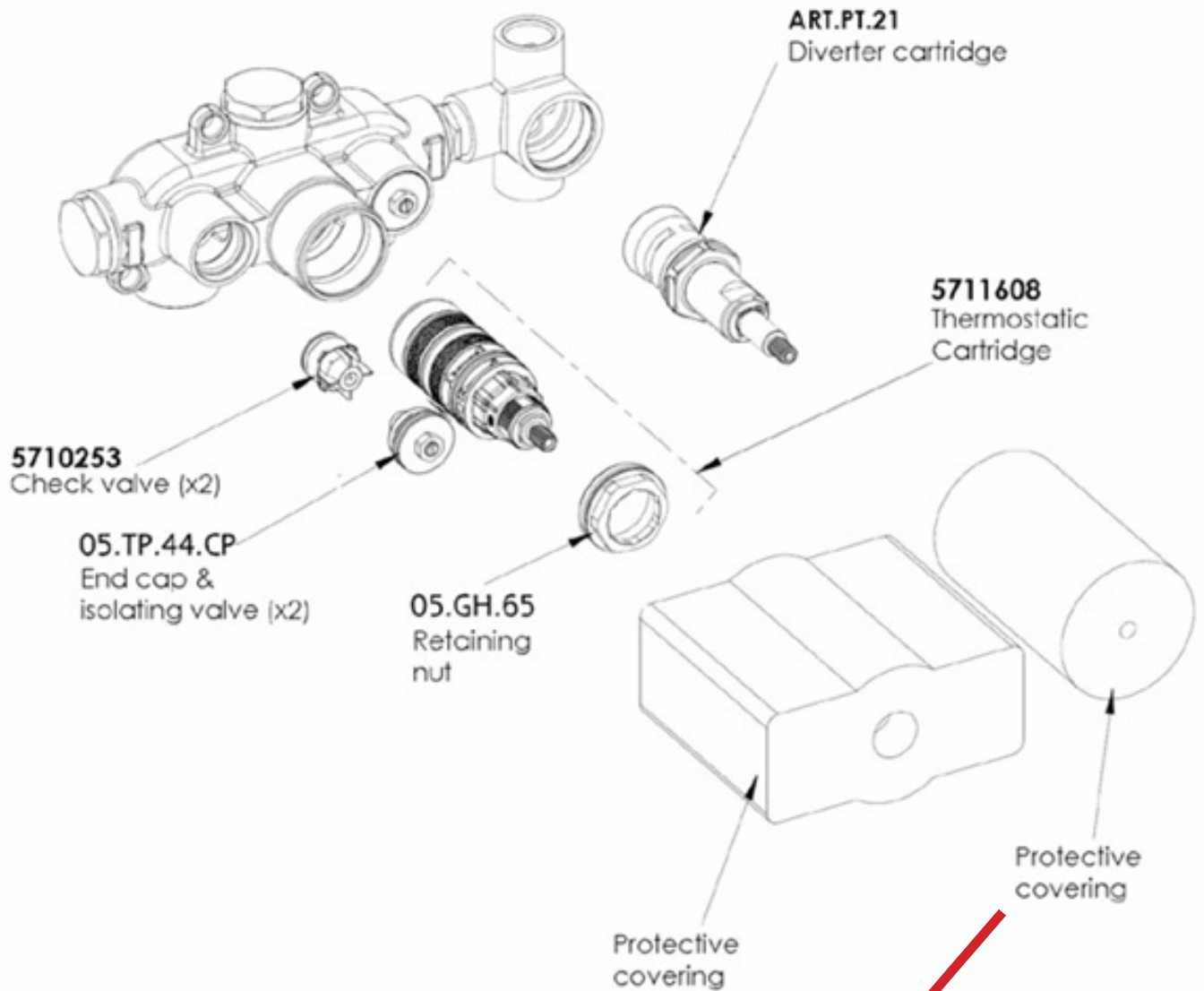


CIFIAL®

www.cifial.co.uk
sales@cifial.co.uk

dimensions mm

ZBL1914004
Concealed Thermostatic Valve Rough



IMPORTANT:

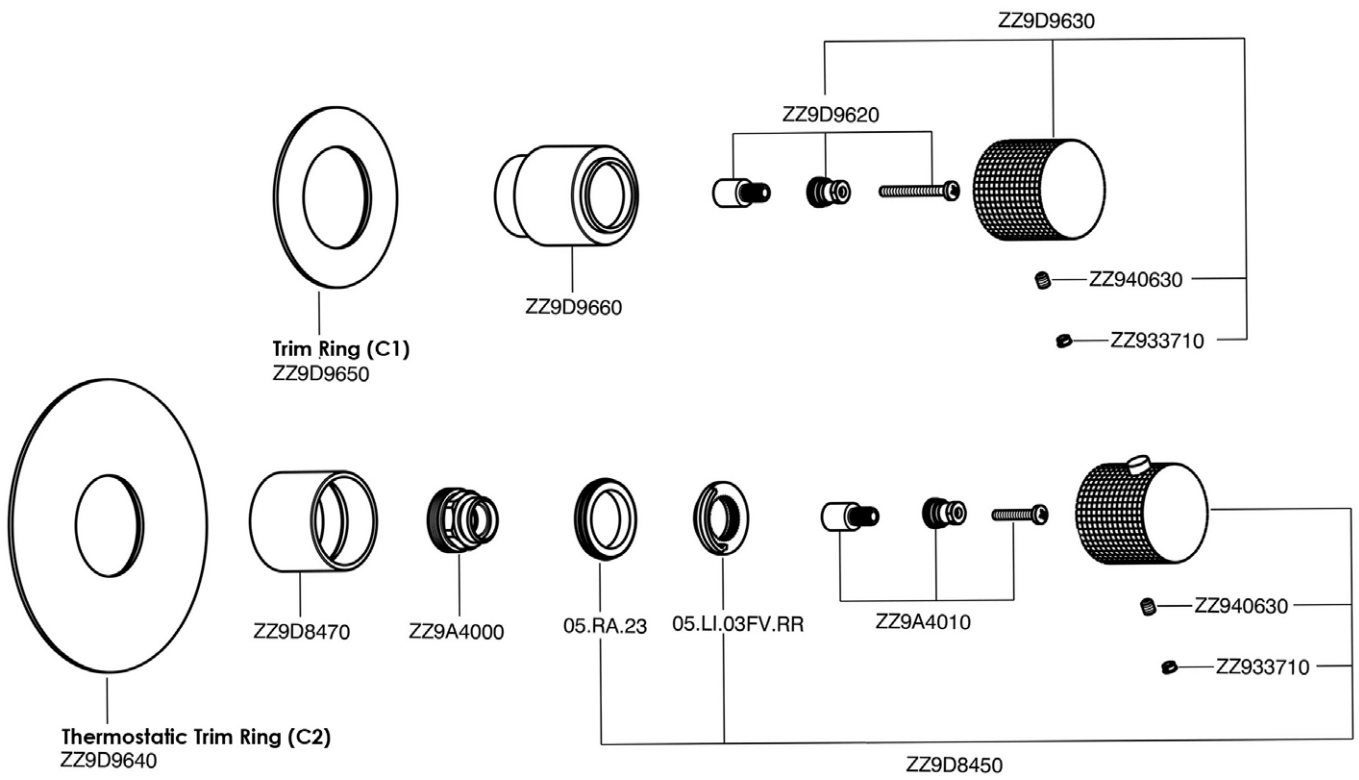
REMOVE PROTECTIVE COVERS BEFORE TILING.

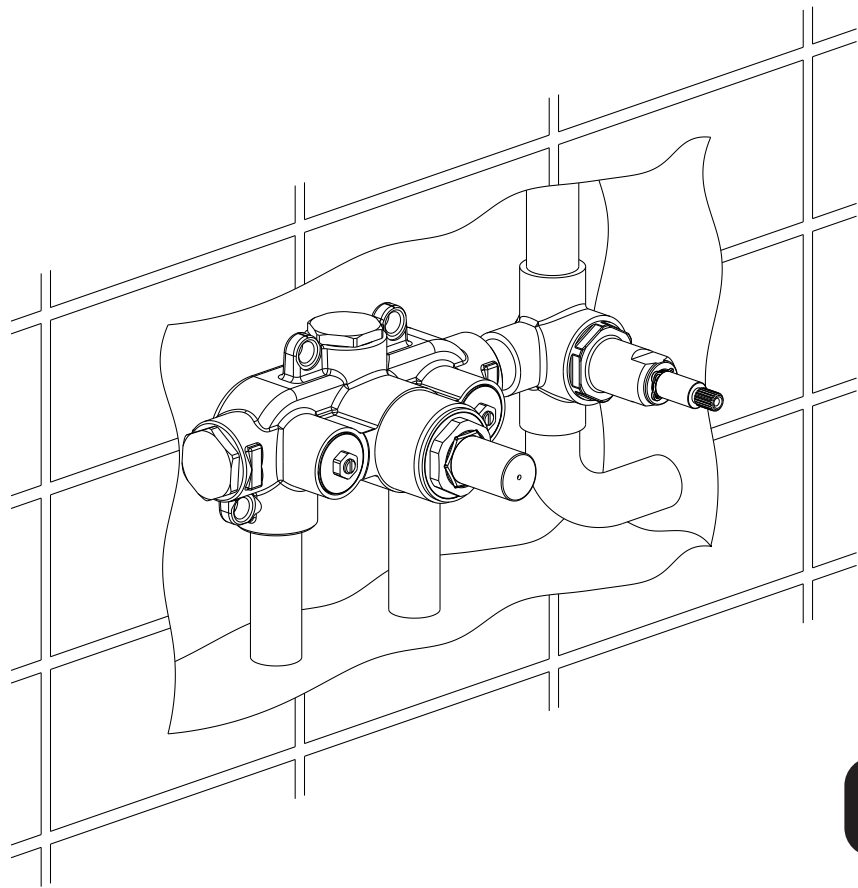
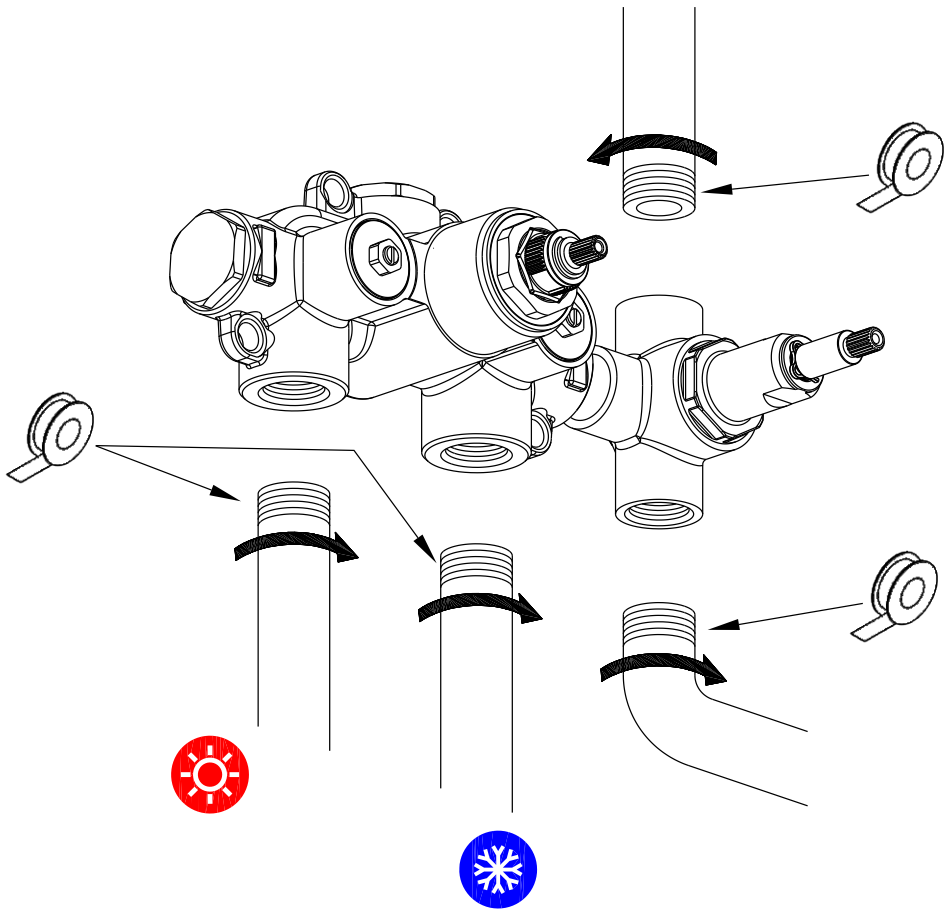
The Thermostatic Trim Ring (C2) is 130mm diameter
The Diverter Trim Ring (C1) is 80mm diameter

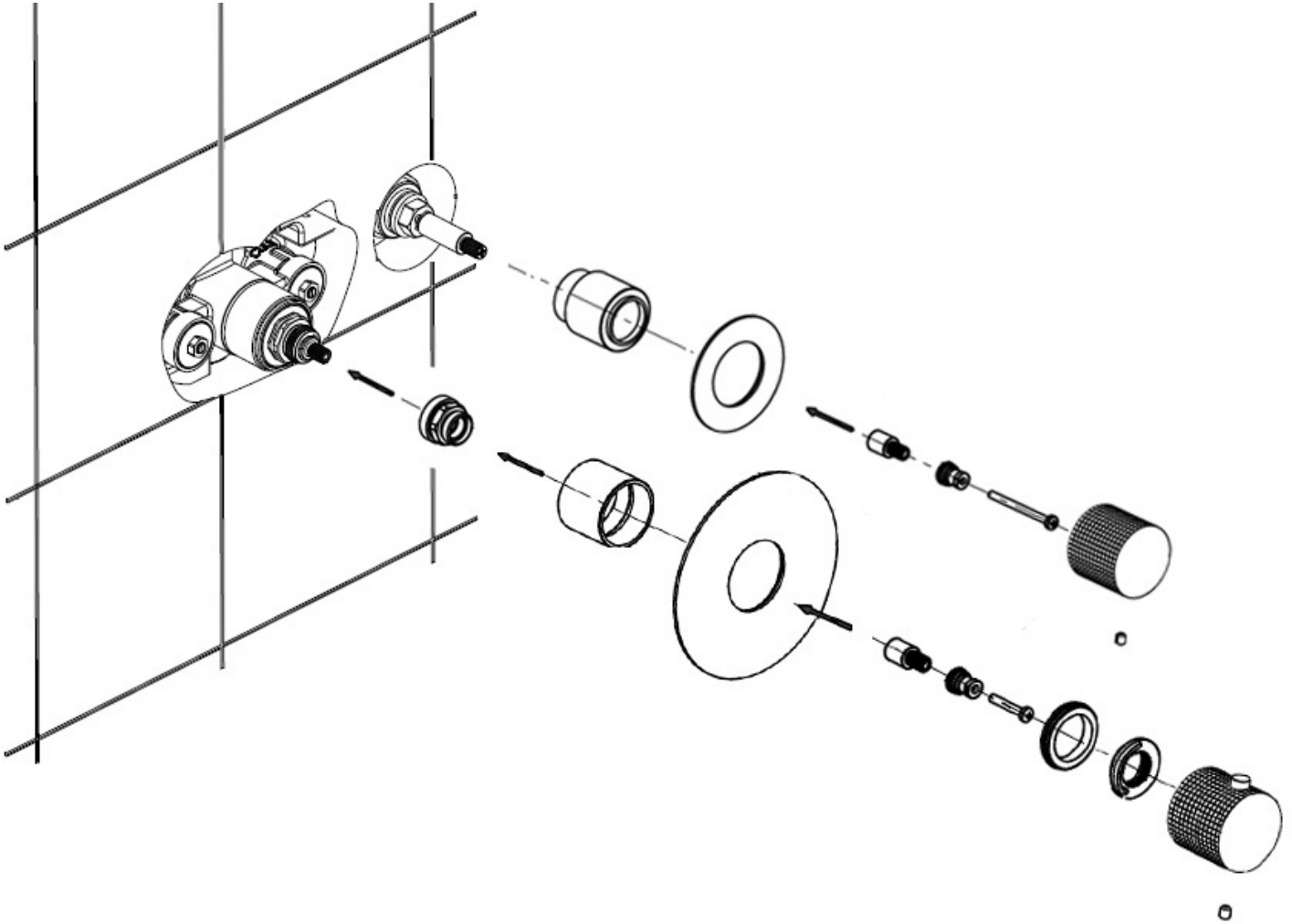
CIFIAL[®]

www.cifial.co.uk
sales@cifial.co.uk

Trim set







Prior to use - Setting the temperature

1. With flow control in the off position, remove the thermostatic valve handle and the temperature limit ring.
2. Put back on the thermostatic valve handle and turn clockwise until the cartridge "clicks". This is now set at fully cold.
3. Turn on one of the flow controls and turn the thermostatic valve handle anti-clockwise until the desired temperature is reached, ie 38°C. Use a thermometer to check if the temperature is correct (Fig. A)
4. Turn off the flow control, remove the thermostatic valve handle and replace the temperature limit ring with the red dot in the 12 o'clock position, ie corresponding with the 38°C on the etched plate (Fig. B).
5. Replace the thermostatic valve handle with the temperature override button position just prior to the 38°C (Fig. C)
6. Your thermostatic valve is now ready for use.

IMPORTANT: it is recommended that on a regular basis you rotate the thermostatic control handle between the maximum and minimum temperature limits by pressing the override button and with the water running. This way you prevent limestone incrustation that could build up and block the thermostatic cartridge.

Fig. A

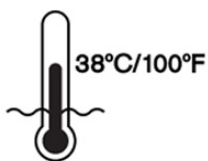


Fig. B
Red mark aligned with the mark 38°C.

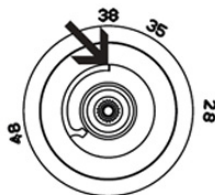
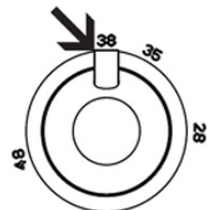


Fig. C
Temperature override button



CIFIAL®

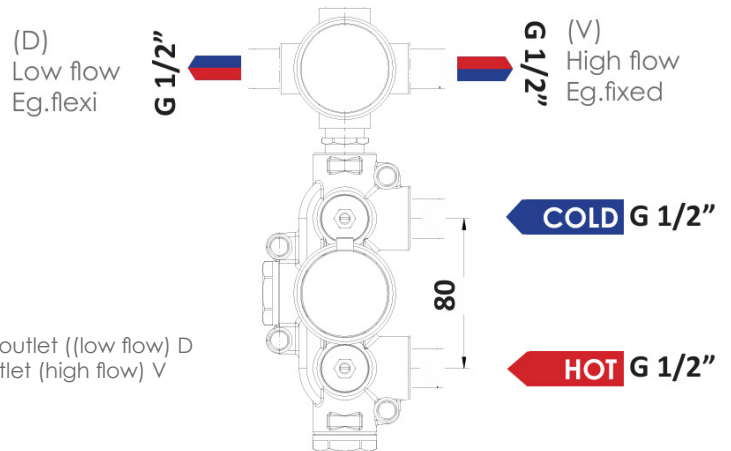
www.cifial.co.uk
sales@cifial.co.uk

Operation

Requires high pressure (minimum 1.5 bar)

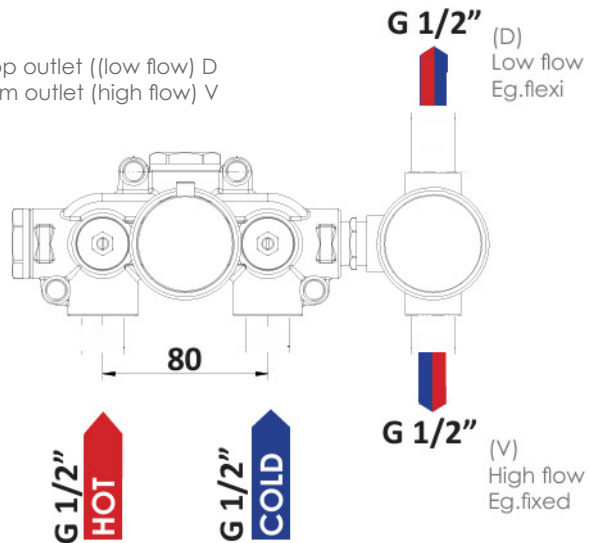
VERTICAL INSTALLATION:

- Top Control = on/off and diverter combined control handle at 12 o'clock = off
turn anti-clockwise = mixed water out of left outlet ((low flow) D
turn clockwise = mixed water out of right outlet (high flow) V
- Bottom Control = thermostat with temperature override
temperature override



HORIZONTAL INSTALLATION:

- Right Control = on/off and diverter combined control handle at 12 o'clock = off
turn anti-clockwise = mixed water out of top outlet ((low flow) D
turn clockwise = mixed water out of bottom outlet (high flow) V
- Left Control = thermostat with temperature override
temperature override



Flow rates

BAR	FLOW RATES	
	top outlet D	bottom outlet V
1.5	14	14.8
2	16.5	17
3	20	21.5

CIFIAL®

www.cifial.co.uk
sales@cifial.co.uk

CIFIAL[®]

www.cifial.co.uk
sales@cifial.co.uk