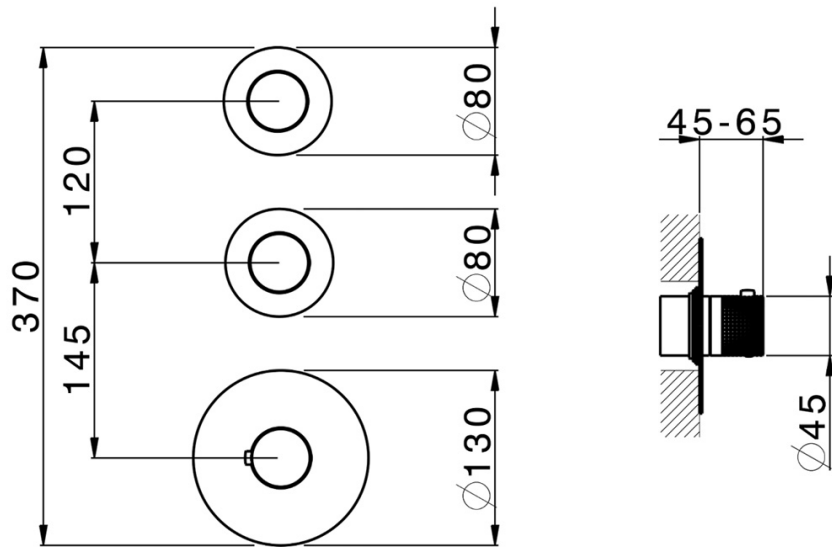
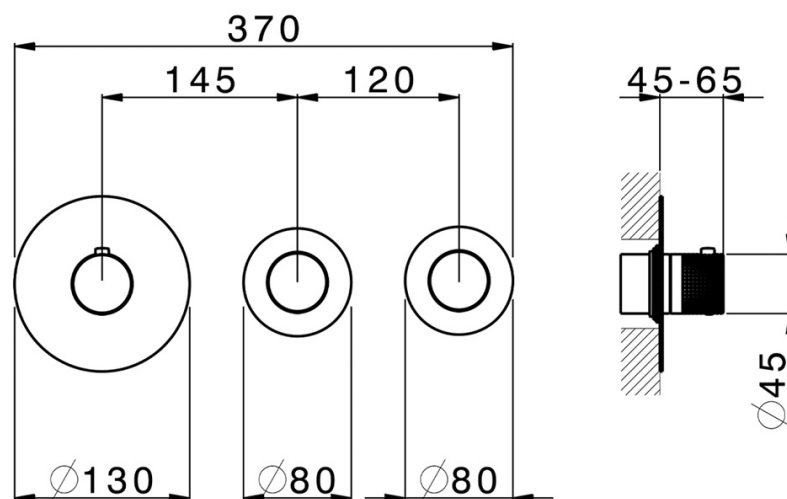


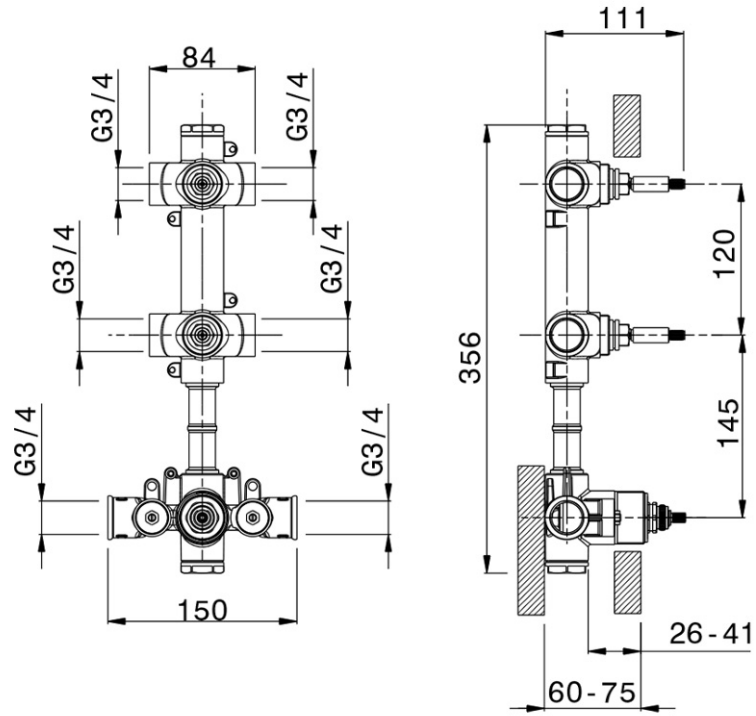
**IZZY****3 control thermostatic valve - 2 outlets**

Can be installed  
either vertically  
or horizontally

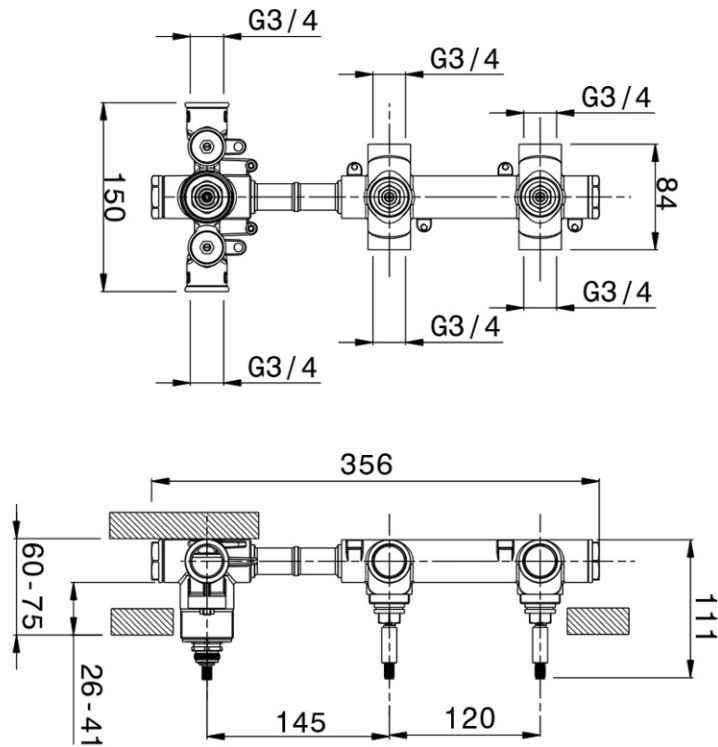
**CIFIAL<sup>®</sup>**

www.cifial.co.uk  
sales@cifial.co.uk

dimensions mm



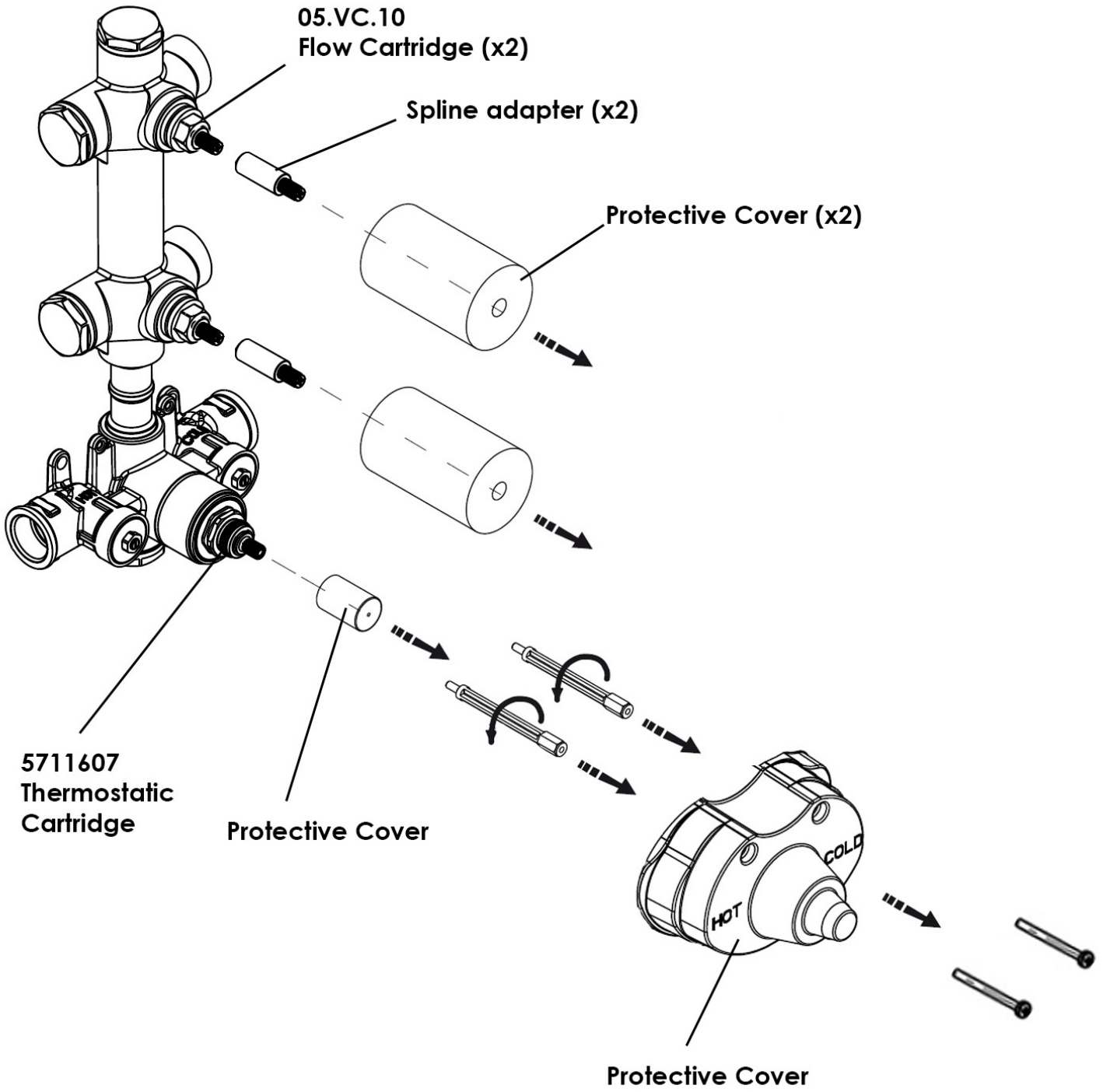
Can be installed  
either vertically  
or horizontally

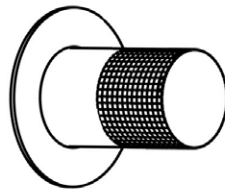


**CIFIAL®**

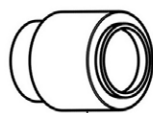
www.cifial.co.uk  
sales@cifial.co.uk

dimensions mm

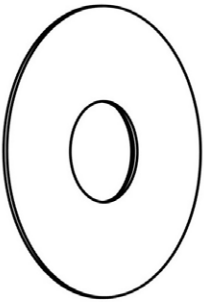
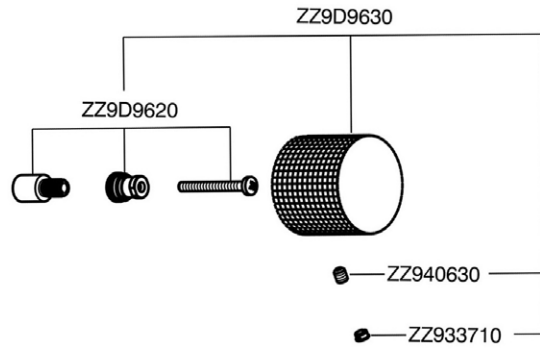




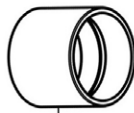
Trim Ring (C1)  
ZZ9D9650



ZZ9D9660



Thermostatic Trim Ring (C2)  
ZZ9D9640



ZZ9D8470



ZZ9A4000



05.RA.23



05.LI.03FV.RR



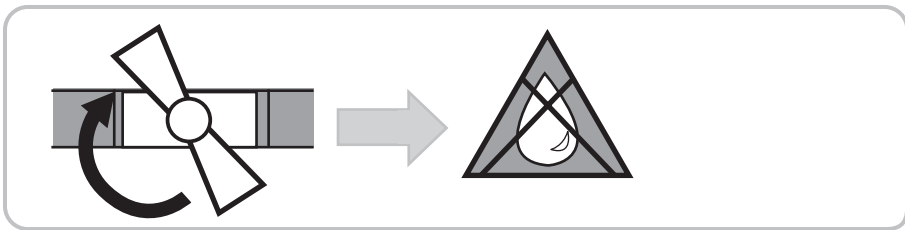
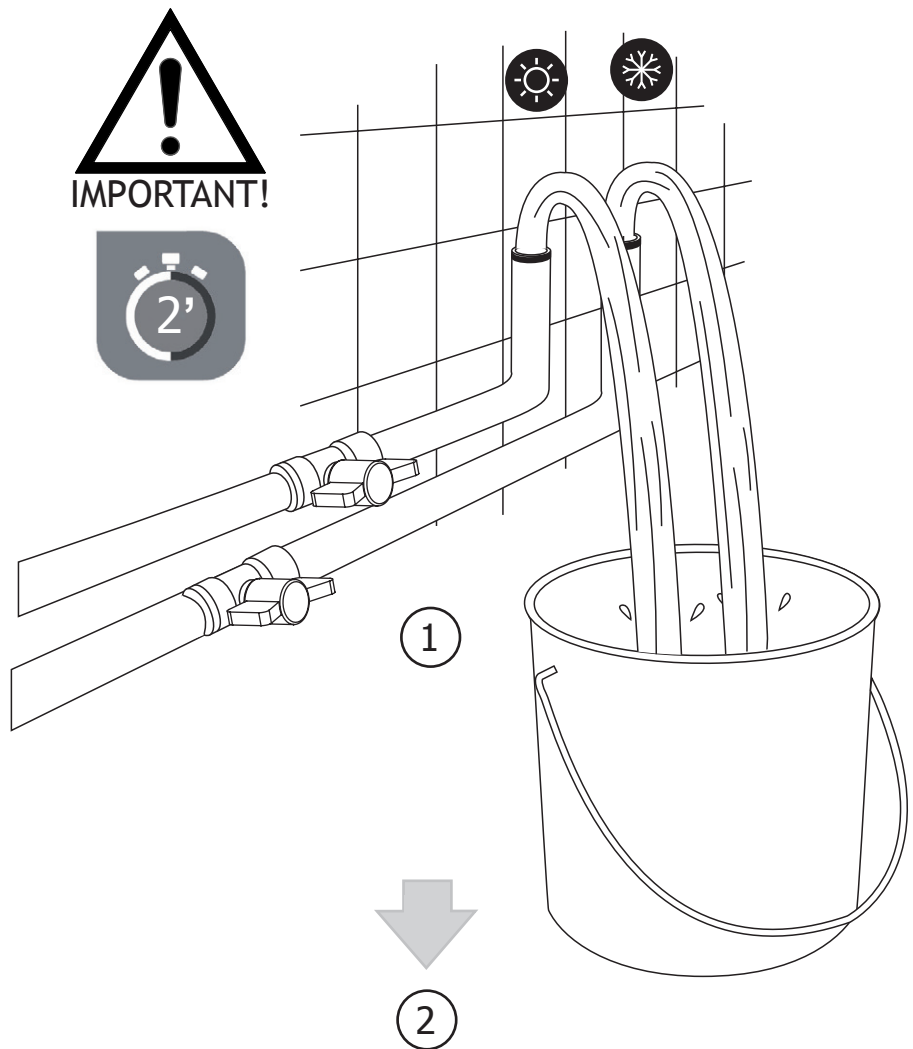
ZZ9A4010



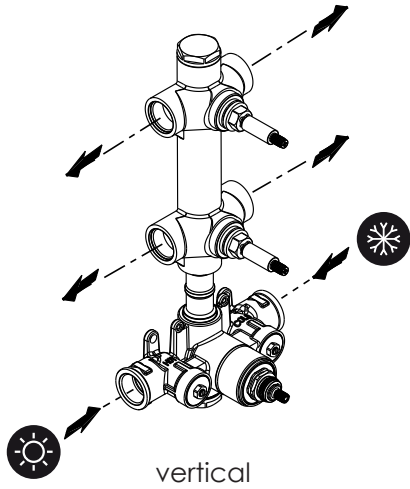
ZZ940630

ZZ933710

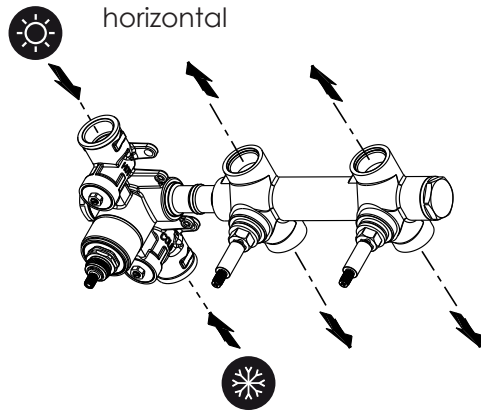
ZZ9D8450



Option A

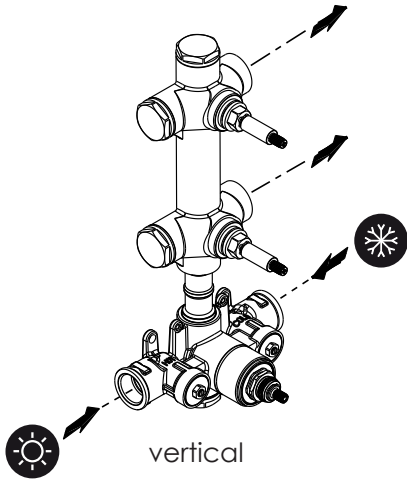


vertical

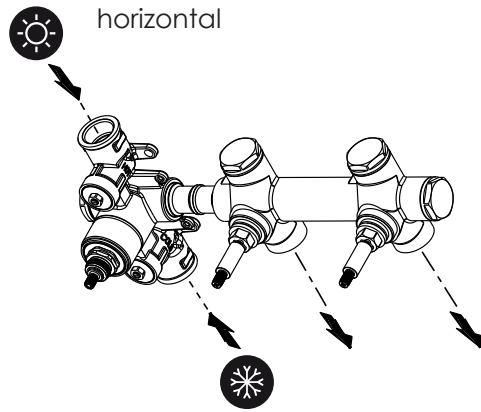


horizontal

Option B

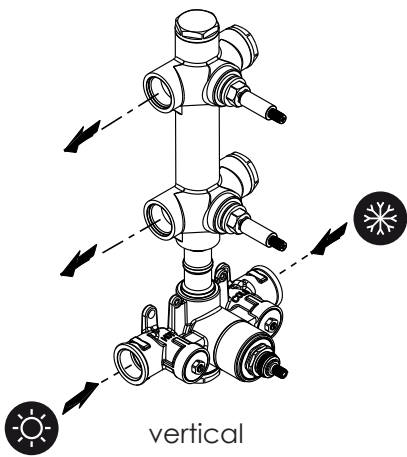


vertical

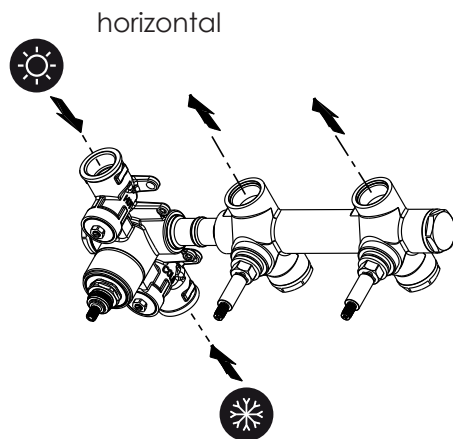


horizontal

Option C



vertical

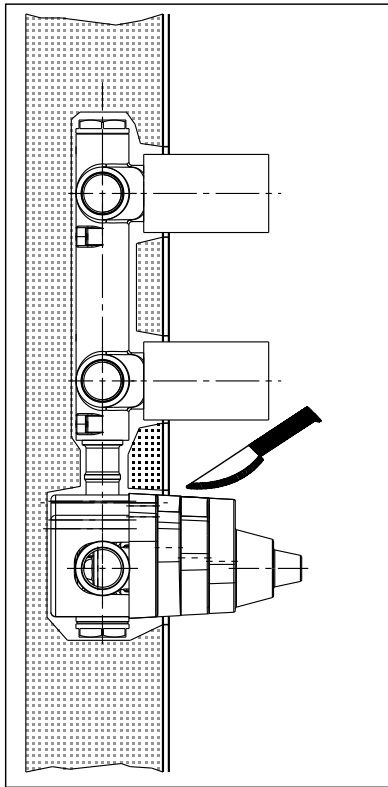


horizontal

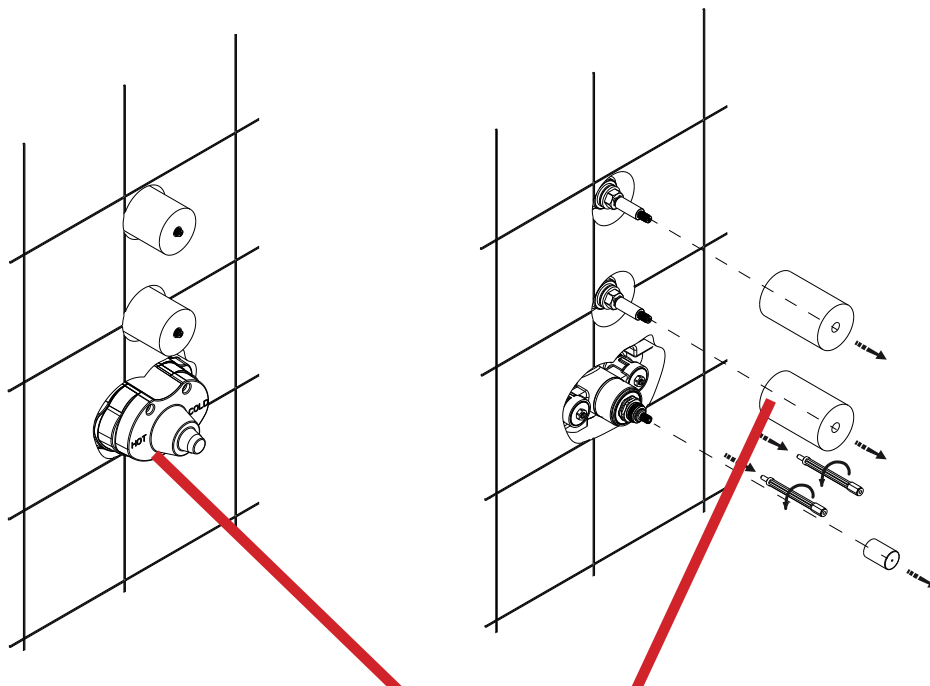
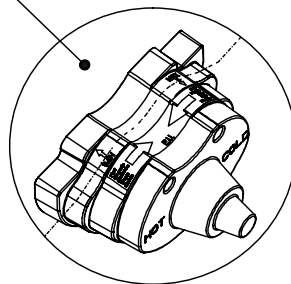
**CIFIAL<sup>®</sup>**

[www.cifial.co.uk](http://www.cifial.co.uk)  
[sales@cifial.co.uk](mailto:sales@cifial.co.uk)

## Installation depth adjustment



**IMPORTANT!** Please check for correct depth



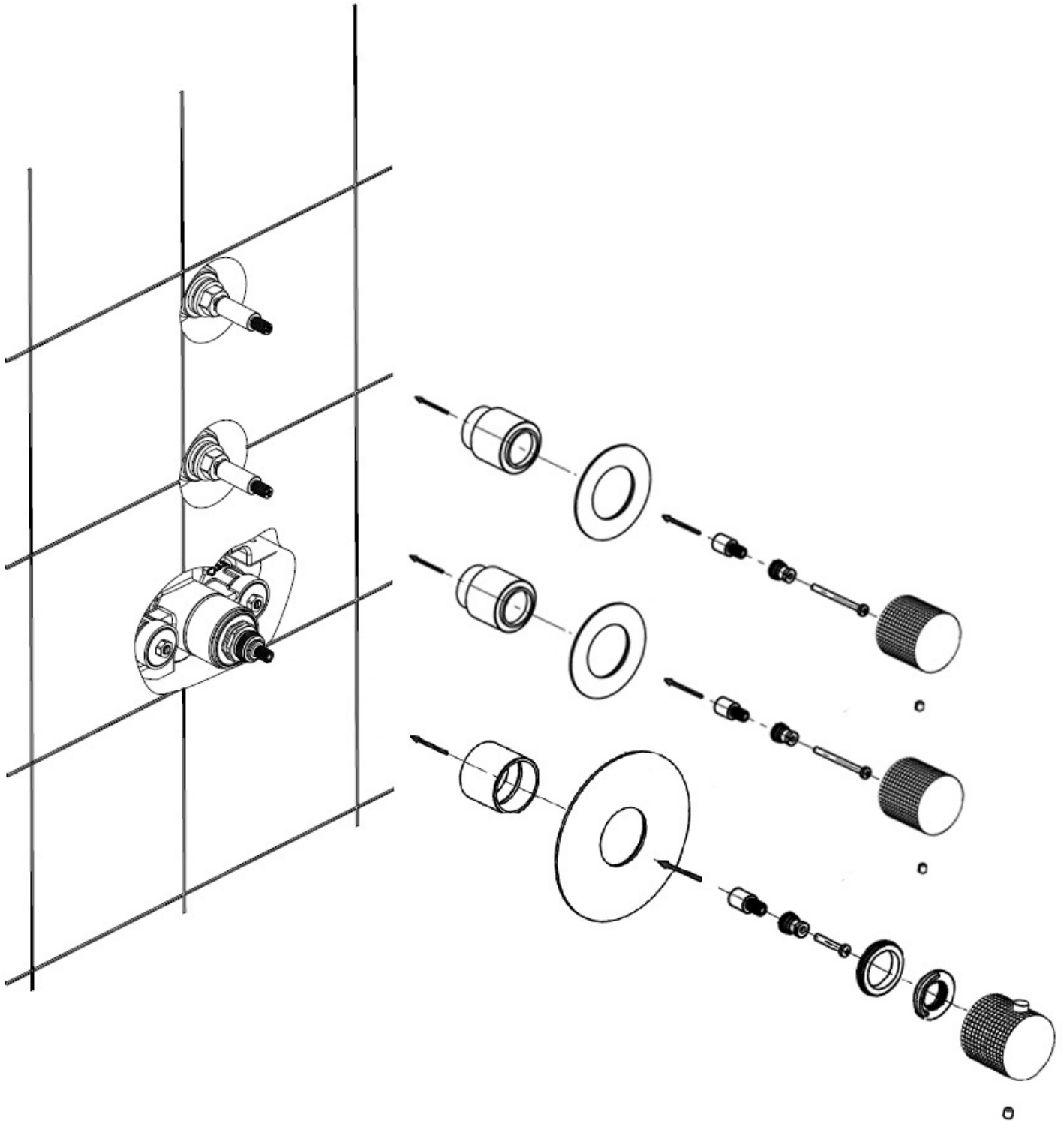
### **IMPORTANT:**

### **REMOVE PROTECTIVE COVERS BEFORE TILING.**

The Thermostatic Trim Ring (C2) is 130mm diameter  
The Trim Ring (C1) is 80mm diameter

# CIFIAL®

[www.cifial.co.uk](http://www.cifial.co.uk)  
[sales@cifial.co.uk](mailto:sales@cifial.co.uk)



# CIFIAL®

[www.cifial.co.uk](http://www.cifial.co.uk)  
[sales@cifial.co.uk](mailto:sales@cifial.co.uk)

## Operation

Requires medium pressure (minimum 1.5 bar )

### VERTICAL INSTALLATION:

Top Control = on/off valve  
 Middle Control = on/off valve  
 Bottom Control = thermostat with temperature override

### HORIZONTAL INSTALLATION:

Right Control = on/off valve  
 Middle Control = on/off valve  
 Left Control = thermostat with temperature override

## Prior to use - Setting the temperature

1. With both flow controls in the off position, remove the thermostatic valve handle and the temperature limit ring.
2. Put back on the thermostatic valve handle and turn clockwise until the cartridge "clicks". This is now set at fully cold.
3. Turn on one of the flow controls and turn the thermostatic valve handle anti-clockwise until the desired temperature is reached, ie 38°C. Use a thermometer to check if the temperature is correct (Fig. A)
4. Turn off the flow control, remove the thermostatic valve handle and replace the temperature limit ring with the red dot in the 12 o'clock position, ie corresponding with the 38°C on the etched plate (Fig. B).
5. Replace the thermostatic valve handle with the temperature override button position just prior to the 38°C (Fig. C)
6. Your thermostatic valve is now ready for use.

**IMPORTANT:** it is recommended that on a regular basis you rotate the thermostatic control handle between the maximum and minimum temperature limits by pressing the override button and with the water running. This way you prevent limestone incrustation that could build up and block the thermostatic cartridge.

Fig. A

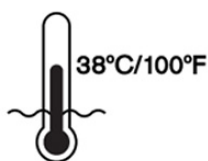


Fig. B

Red mark aligned with the mark 38°C.

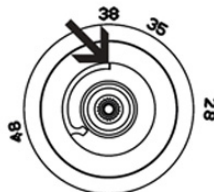
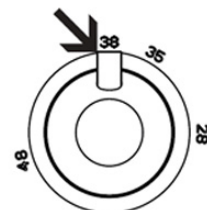


Fig. C

Temperature override button



# CIFIAL®

www.cifal.co.uk  
 sales@cifal.co.uk