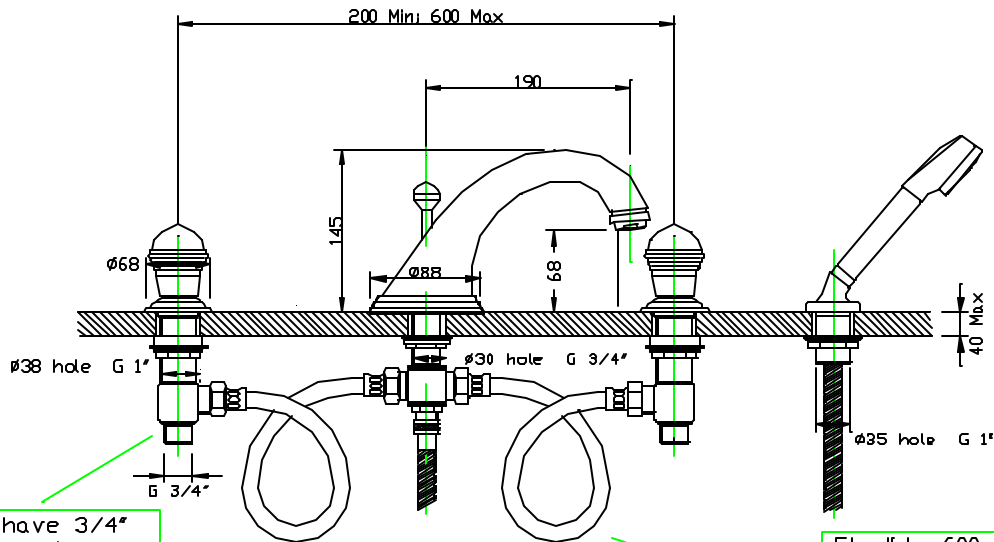


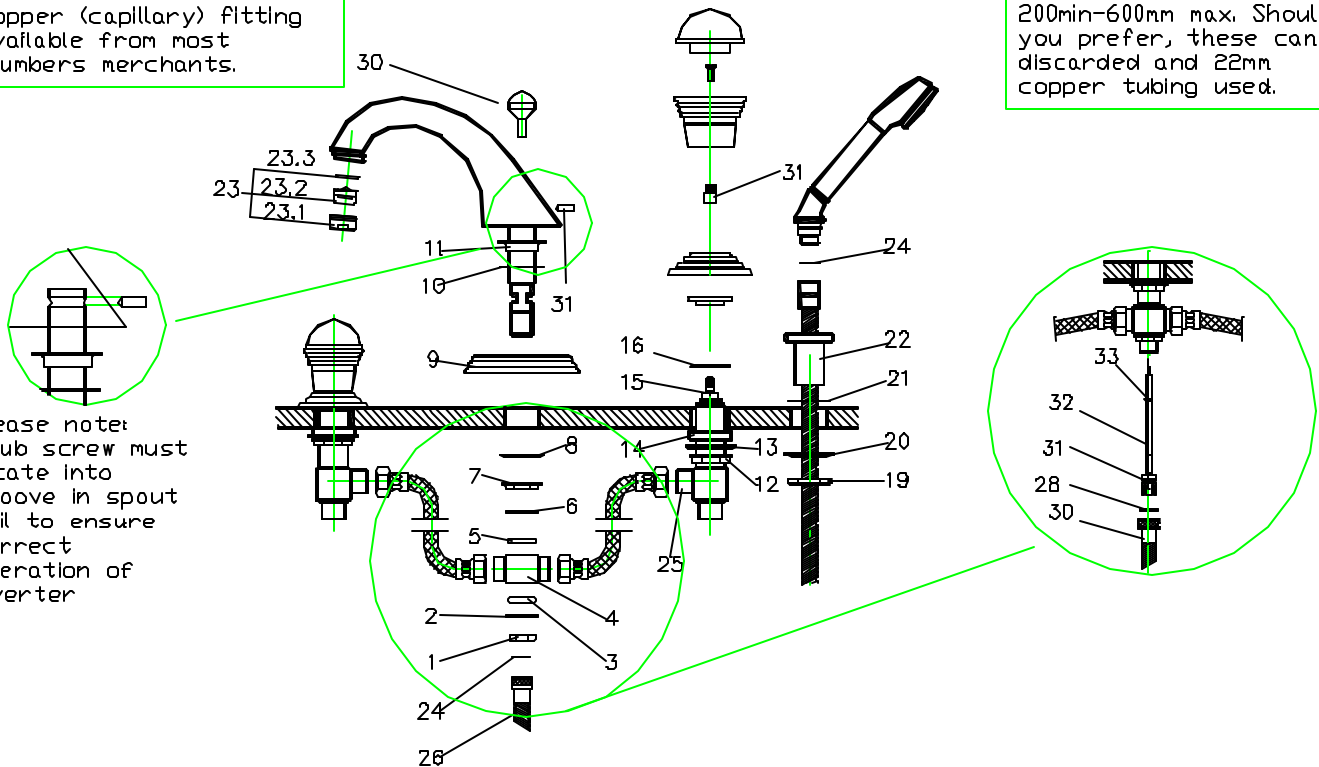
King 4 hole deck bath mixer

all dimensions in mm



All bath mixers have 3/4" BSP connections and are designed to accommodate either a standard 3/4" tap extension, or a 3/4" Yorkshire FI to 22mm copper (capillary) fitting available from most plumbers merchants.

Flexible 600mm long braided hoses are supplied for use where installations fall within normal tolerances, ie 200min-600mm max. Should you prefer, these can be discarded and 22mm copper tubing used.



please note:
grub screw must locate into groove in spout tail to ensure correct operation of diverter

- 1-1/2" backnut
- 2-washer
- 3-o-ring
- 4-tee assembly
- 5-o-ring
- 6-washer
- 7-3/4" backnut
- 8-dished washer
- 9-collar

- 19-decorative base
- 20-spindle extension
- 21-aerator
 - 21.1-housing
 - 21.2-flow straightener
 - 21.3-washer
- 22-outlet connection
- 23-allen screw
- 24-handwheel cover