

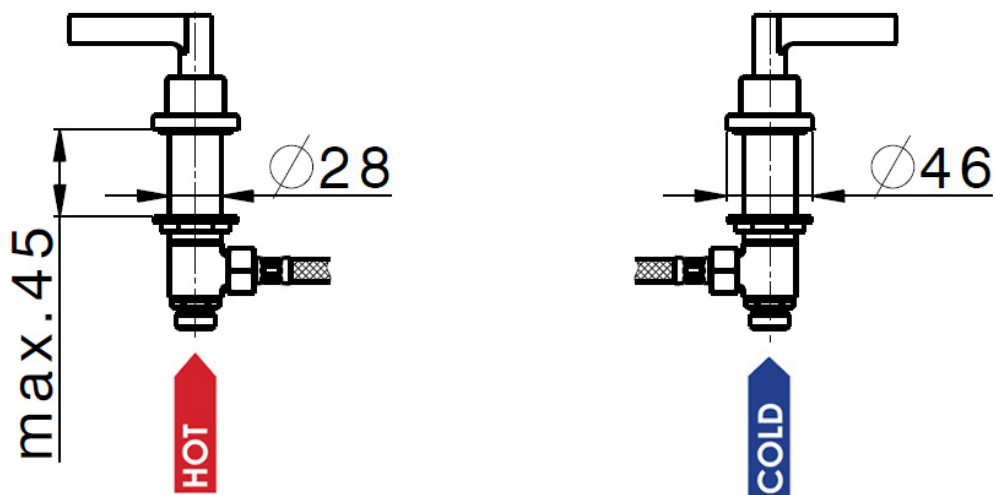


technical specifications

Codes: 34890LY.L 
34890LY.X 
34890LY.W 

LAYLA

Pair 1/2 Deck Bath Valves



CIFIAL®

www.cifial.co.uk
sales@cifial.co.uk

dimensions mm

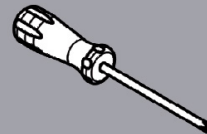
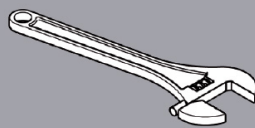
GB

OPERATING CONDITIONS


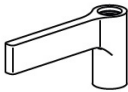



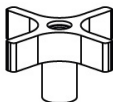







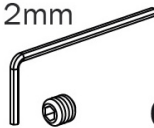


- Minimum dynamic pressure.....1 bar
- Recommended working pressure (static).....3 bar
(ATTENTION: when pressure exceeds 5 bar, the installation of a pressure reducer is recommended)
- Maximum working pressure (static).....5 bar
- Maximum test pressure (static).....16 bar
- Maximum hot water temperature.....80 °C
- Recommended hot water temperature.....65 °C (for safety and energy saving)



Not included

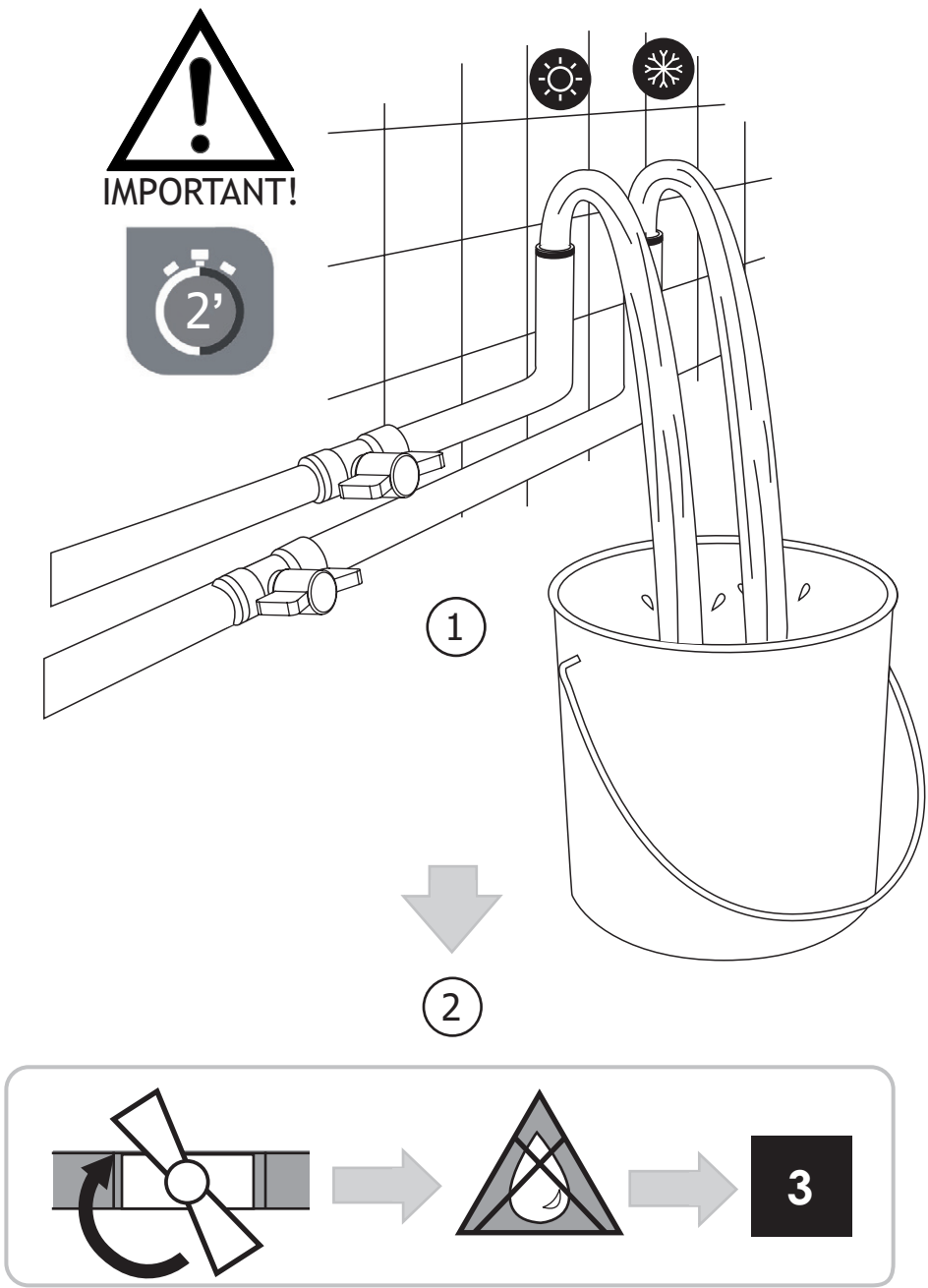


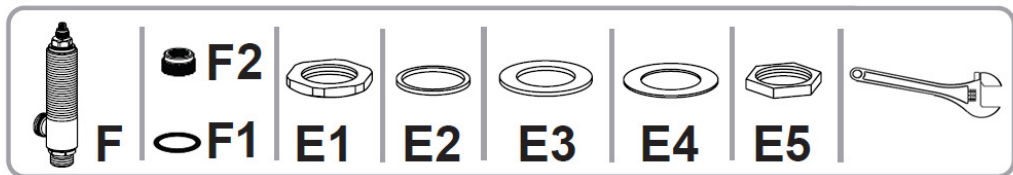
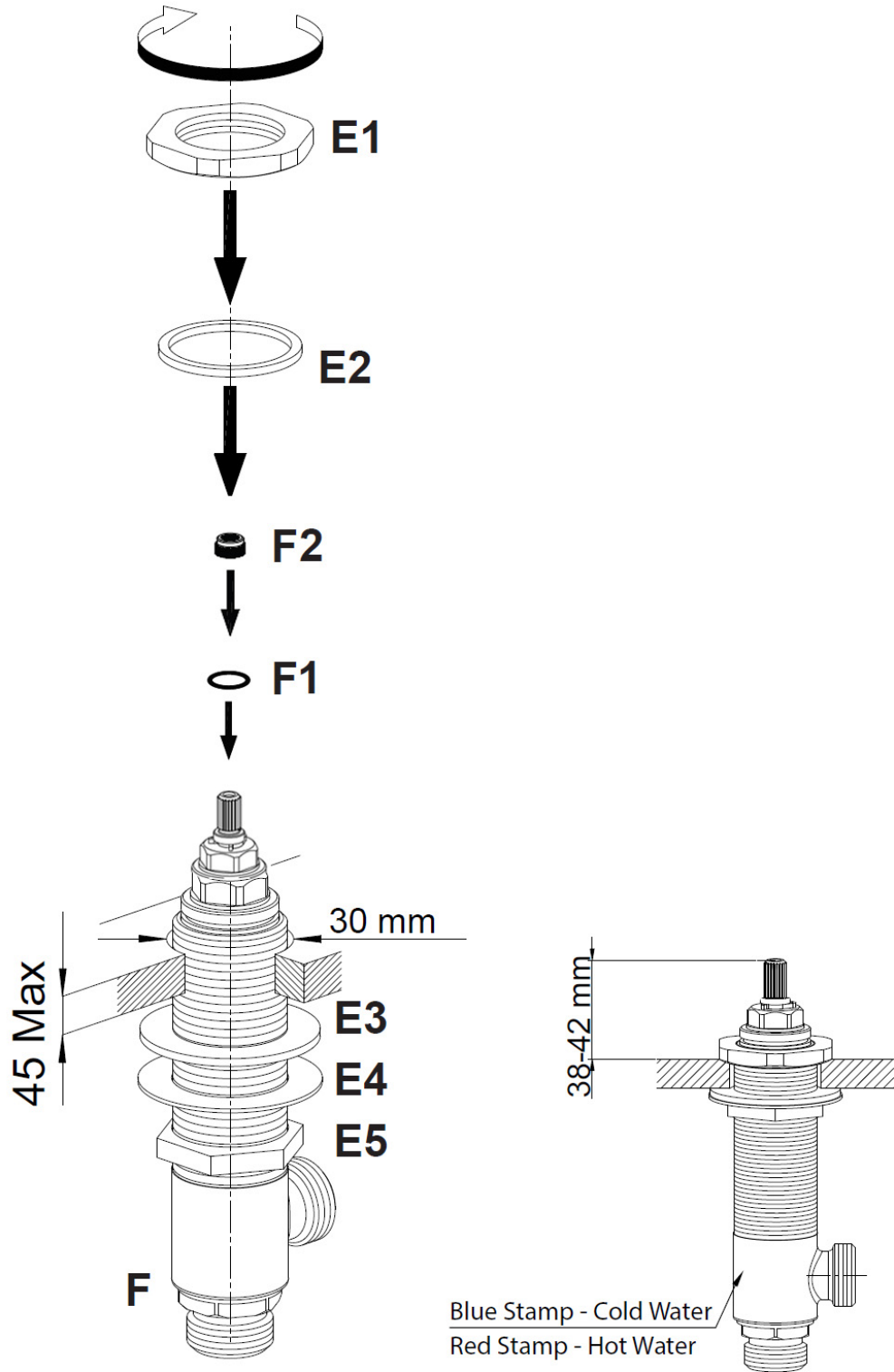
Included

 Bx2	 C1x2	 C4x2	 E1x2
 F2x2	 C2x2	 C5x2	 E2x2
 F1x2	 C3x2	 C6x2	 E3x2
 Fx2 Blue - Cold Water Red - Hot Water		 2mm C7	 E4x2
			 E5x2

CIFIAL®

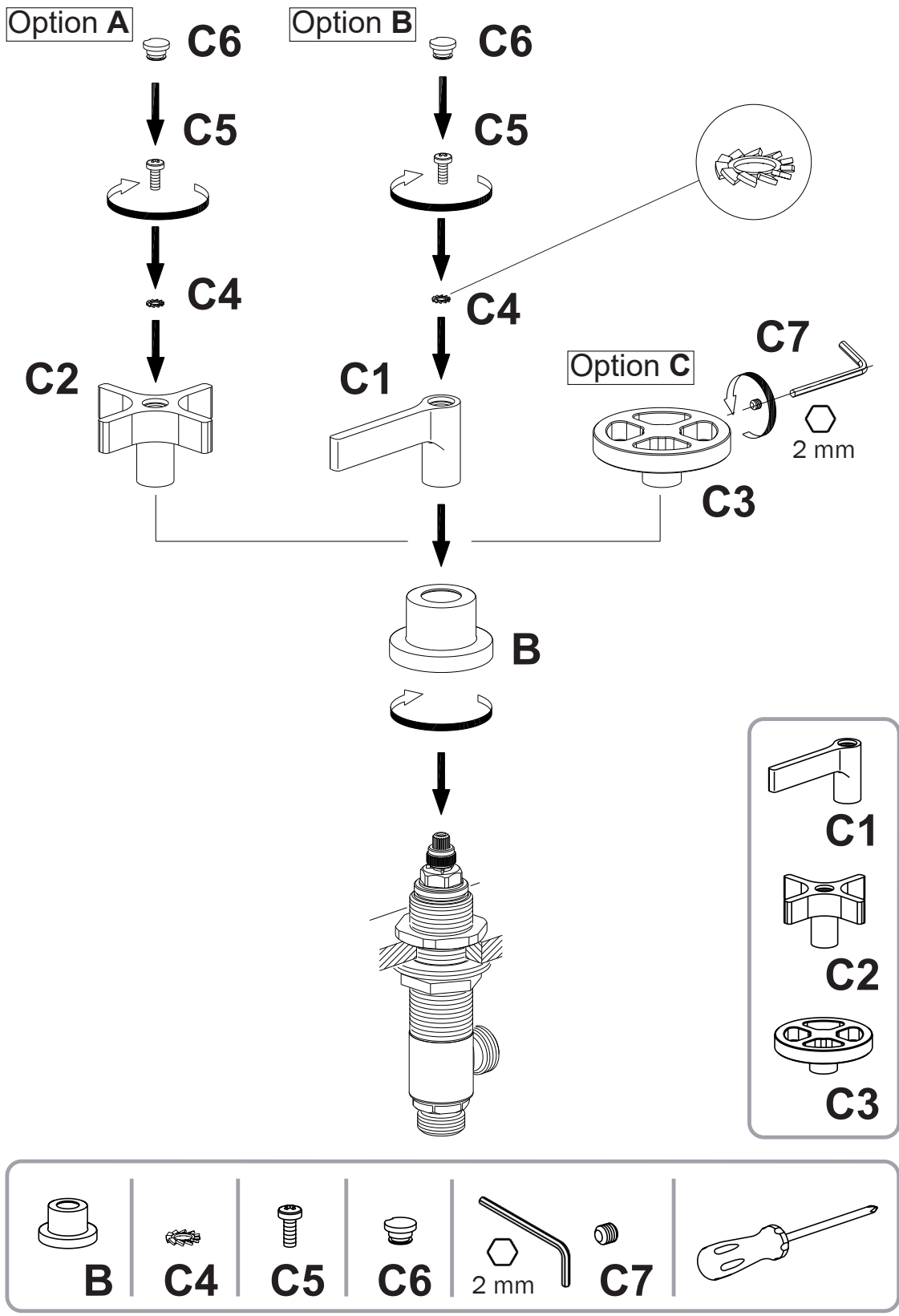
www.cifial.co.uk
sales@cifial.co.uk





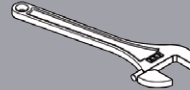
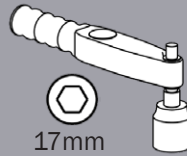
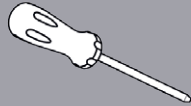
CIFIAL®

www.cifial.co.uk
sales@cifial.co.uk

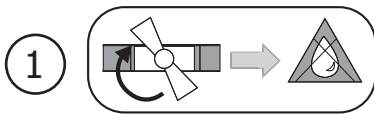


**requires 17mm box spanner (not included)

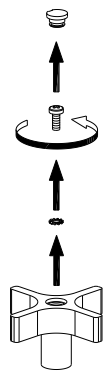
Non incluso / Not included / Non inclus / Nicht Dabei / No incluido / Nitinbegrepen



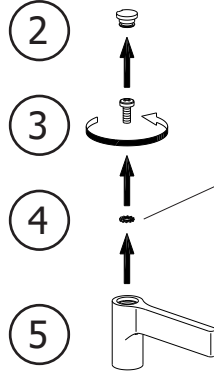
17mm



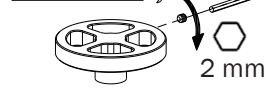
Option A



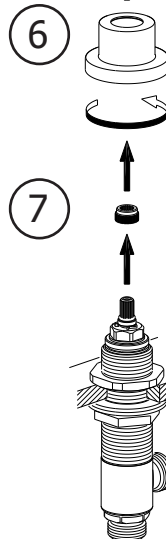
Option B



Option C

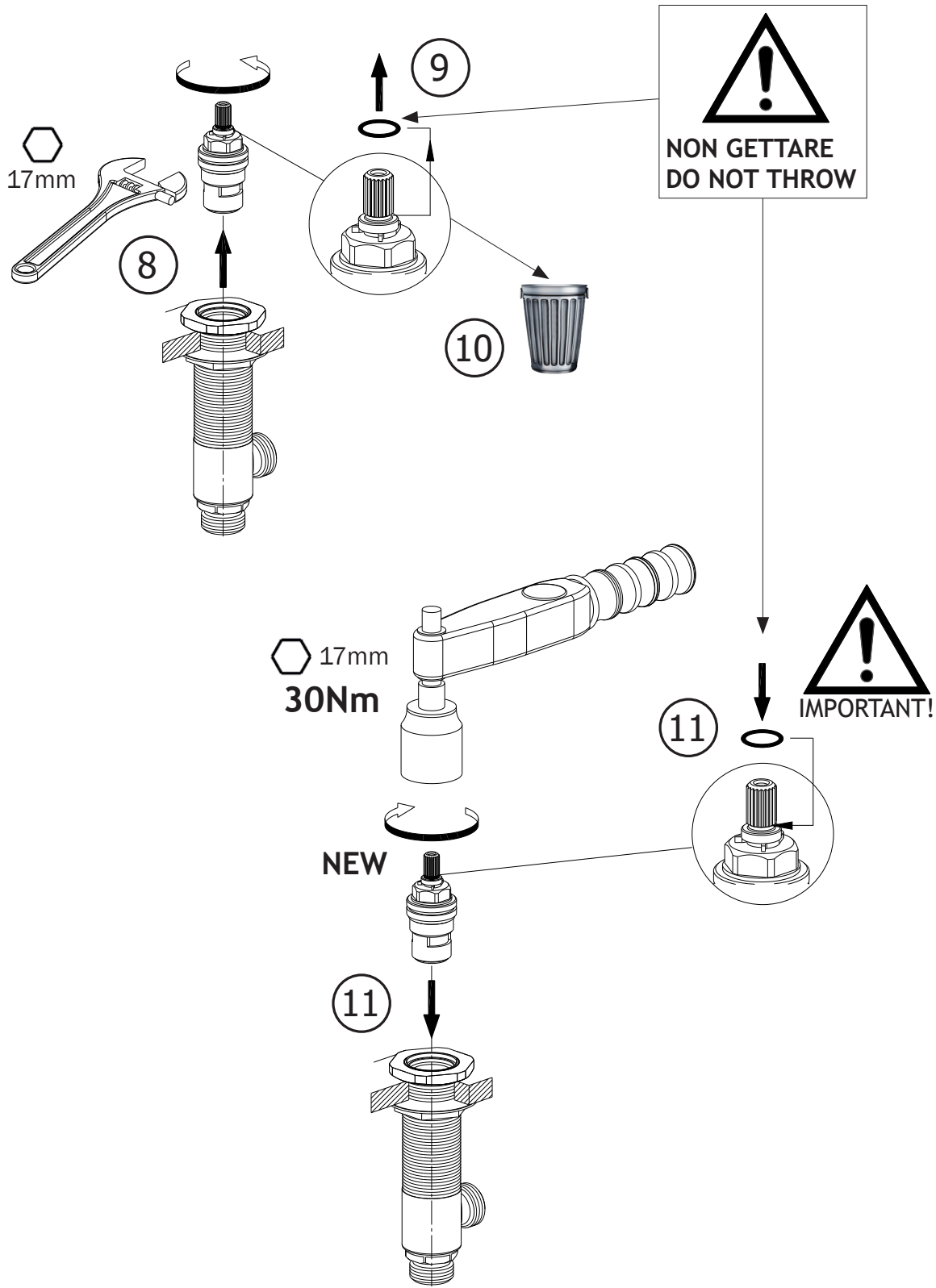


2 mm

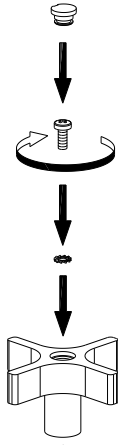


CIFIAL®

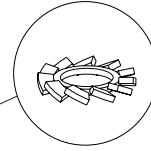
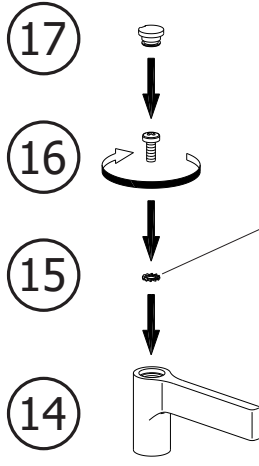
www.cifial.co.uk
sales@cifial.co.uk



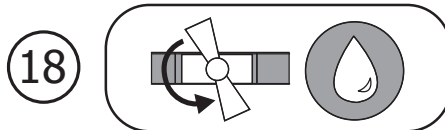
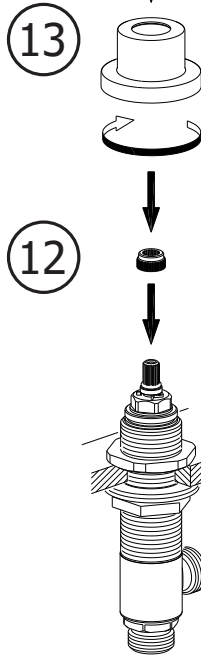
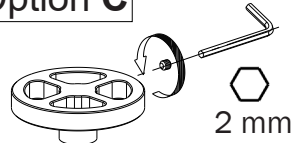
Option A



Option B



Option C



CIFIAL®

www.cifial.co.uk
sales@cifial.co.uk