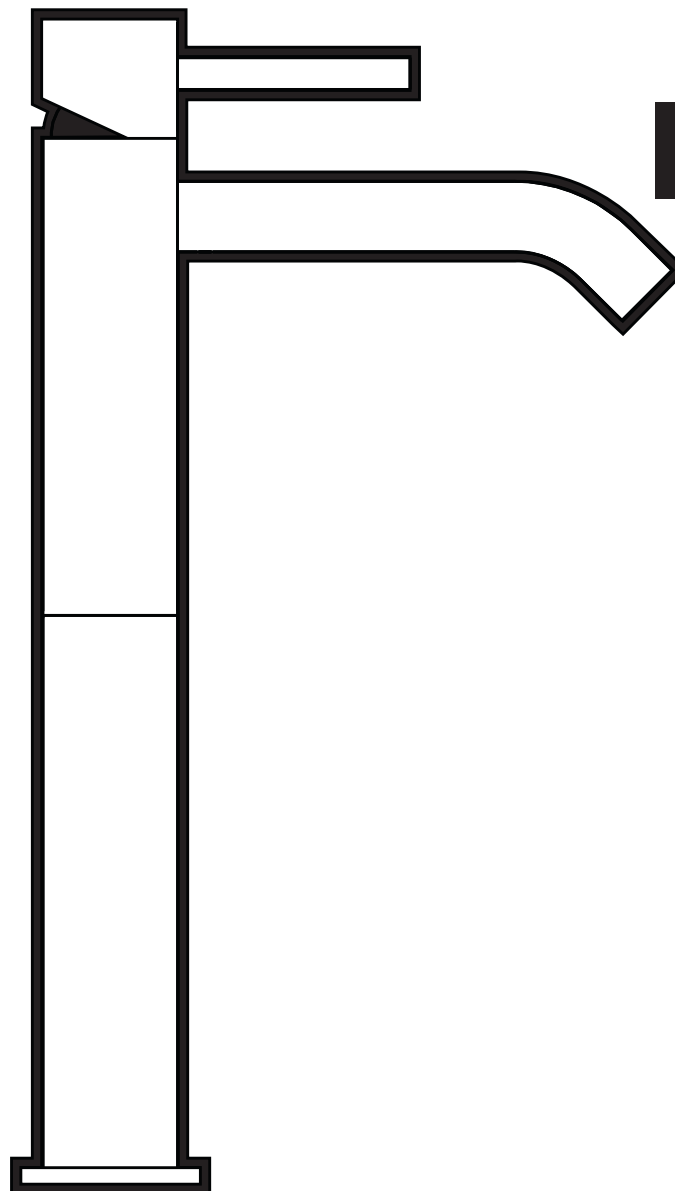


## MINI SQUARE

instructions

## 32401QD-xxx.U

Extended body monobloc basin mixer



COMPLETE  
**BATH**  
SOLUTIONS

**CIFIAL – Torneiras, S.A.**  
Apartado 413  
4524-907 Riomeão  
PORTUGAL  
40° 57' 29.20" N  
8° 35' 11.40" W  
Tel: +351 256 780 100  
Fax: +351 256 783 395  
comercial.torneiras@cifial.pt  
www.cifial.pt

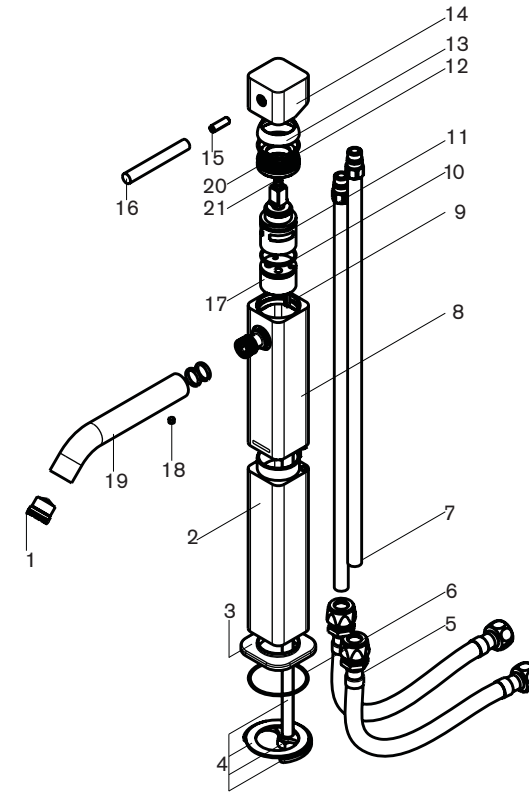
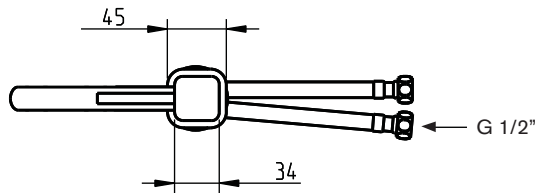
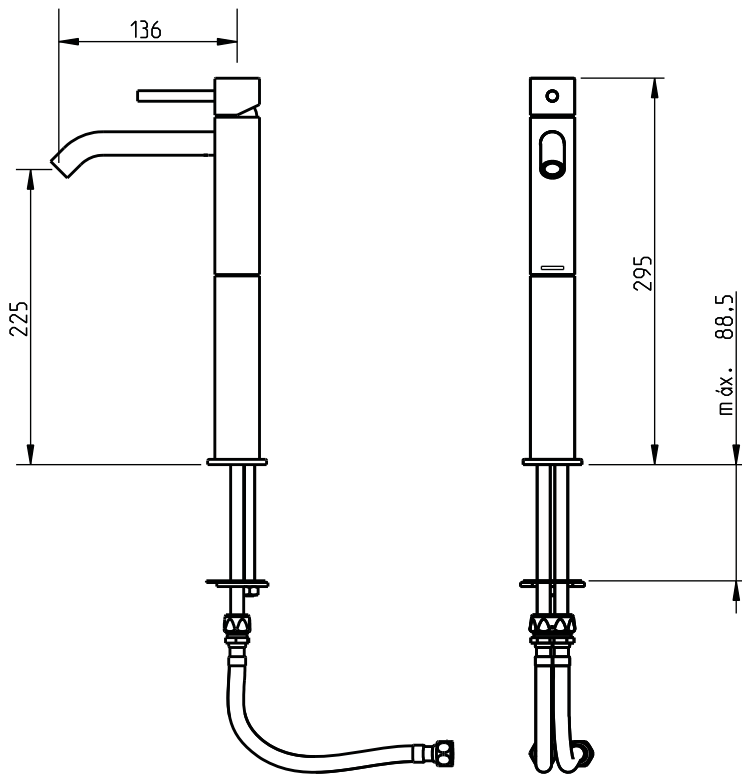
**CIFIALdecor, S.A.**  
Avda. del Petróleo, 44  
(Pol. Ind. San José de  
Valderas)  
28918 Leganes, Madrid  
ESPAÑA  
Tel: +34 916 110 261  
Fax: +34 916 103 694  
cifial@cifial.es

**CIFIAL UK, Ltd.**  
7 Faraday Court, Park Farm  
Industrial Estate, Wellingbor-  
ough, Northants NN8 6XY  
UK  
Phone: +441 933 402 008  
Fax: +441 933 402 063  
sales@cifial.co.uk  
www.cifial.co.uk

**CIFIAL USA**  
6540 Peachtree Industrial Blvd.  
Suite A  
Norcross, GA 30071  
USA  
Tel: +1 800 528 4904  
Fax: +1 800 528 1969  
www.cifialusa.com

**CIFIAL Polska sp. z o.o.**  
ul. Macieja Rataja 12  
05-070 Sulejów  
Warsaw  
POLAND  
Tel: +48 22 7831699  
Fax: +48 22 783 15 09  
cifial@cifial.pl  
www.cifial.pl

5663955 / 9830D001U03



**GUARANTEE**  
We recommend that you keep the invoice throughout the guarantee period.

## ref.

1	5713132	aerator
2	3400254-xxx	tap body extension
3	3447124-xxx	spout base
4	5710242	fixing set
5	5700107	flexible hose (x2)
6	5310380-150	o-ring
7	5700103	copper connection (x2)
8	3320123-xxx	spout assembly
9	5745030i014	spring-type straight pin slotted
10	5310220-150	o-ring
11	5711035	ceramic cartridge
12	5712158	cartridge nut
13	3400246-xxx	domed collar
14	3411071-xxx	lever handle body
15	5020240	grub screw
16	3400087-xxx	lever handle extension
17	3300570	valve housing
18	50030M40040	grub screw
19	3330091-xxx	spout
20	5310260-200	o-ring
21	5020274	screw