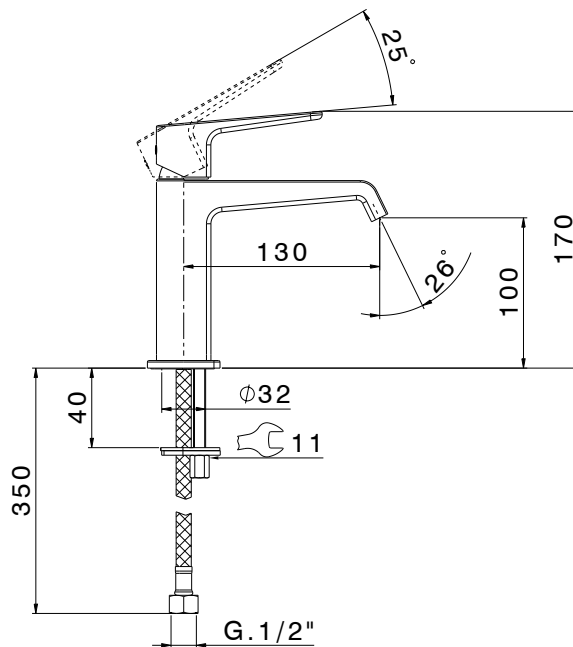


RAZER

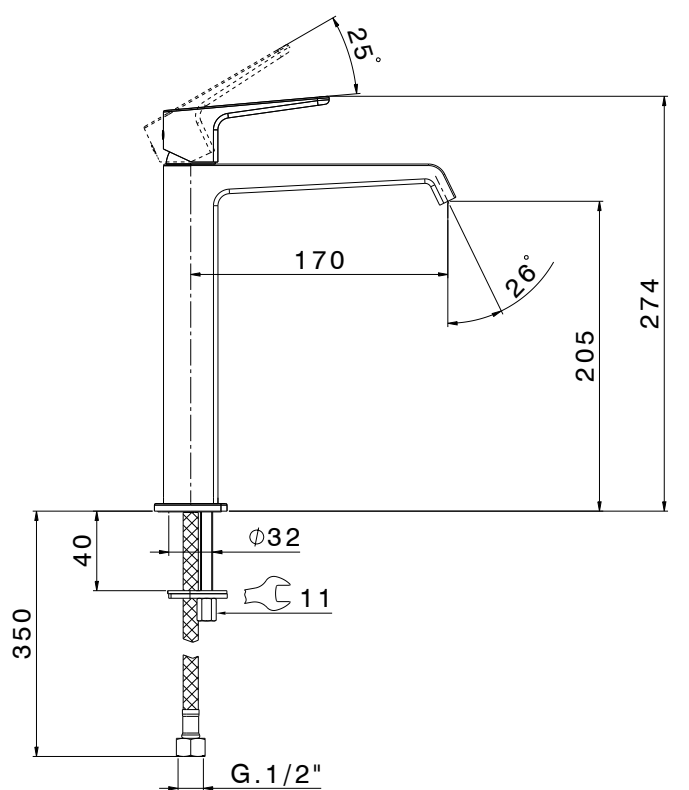
Code: 32400RR

Mono Basin Mixer



Code: 32401RR

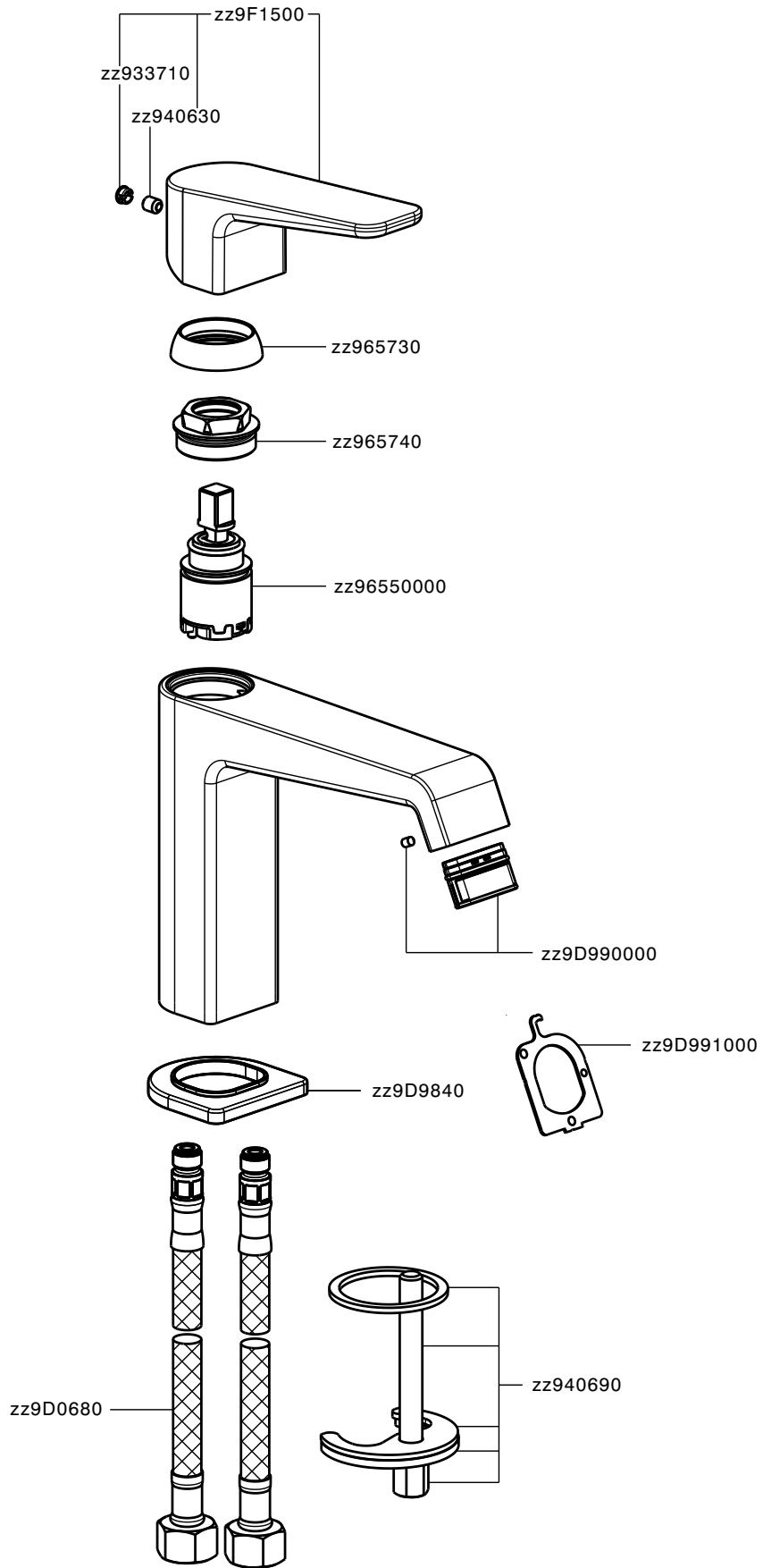
Tall Mono Basin Mixer



CIFIAL[®]

www.cifial.co.uk
sales@cifial.co.uk

dimensions mm



CIFIAL®

www.cifial.co.uk
sales@cifial.co.uk

GB

OPERATING CONDITIONS

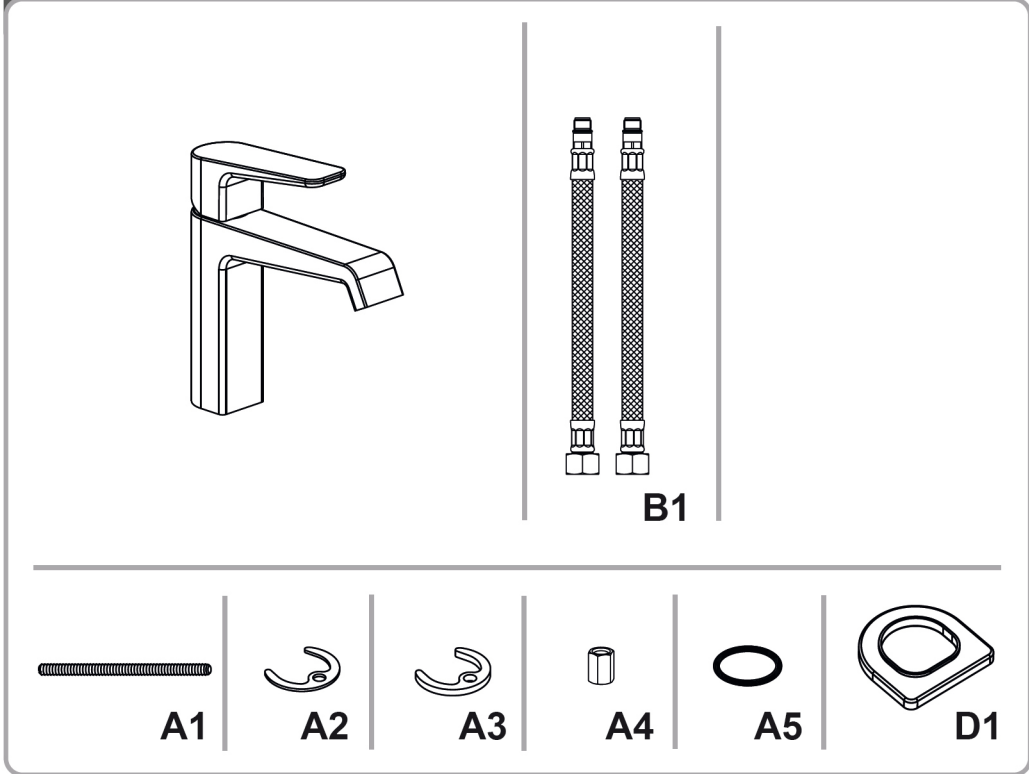
- Minimum dynamic pressure.....1 bar
- Recommended working pressure (static).....3 bar
(ATTENTION: when pressure exceeds 5 bar, the installation of a pressure reducer is recommended)
- Maximum working pressure (static).....5 bar
- Maximum test pressure (static).....16 bar
- Maximum hot water temperature.....80 °C
- Recommended hot water temperature.....65 °C (for safety and energy saving)



Not included



Included

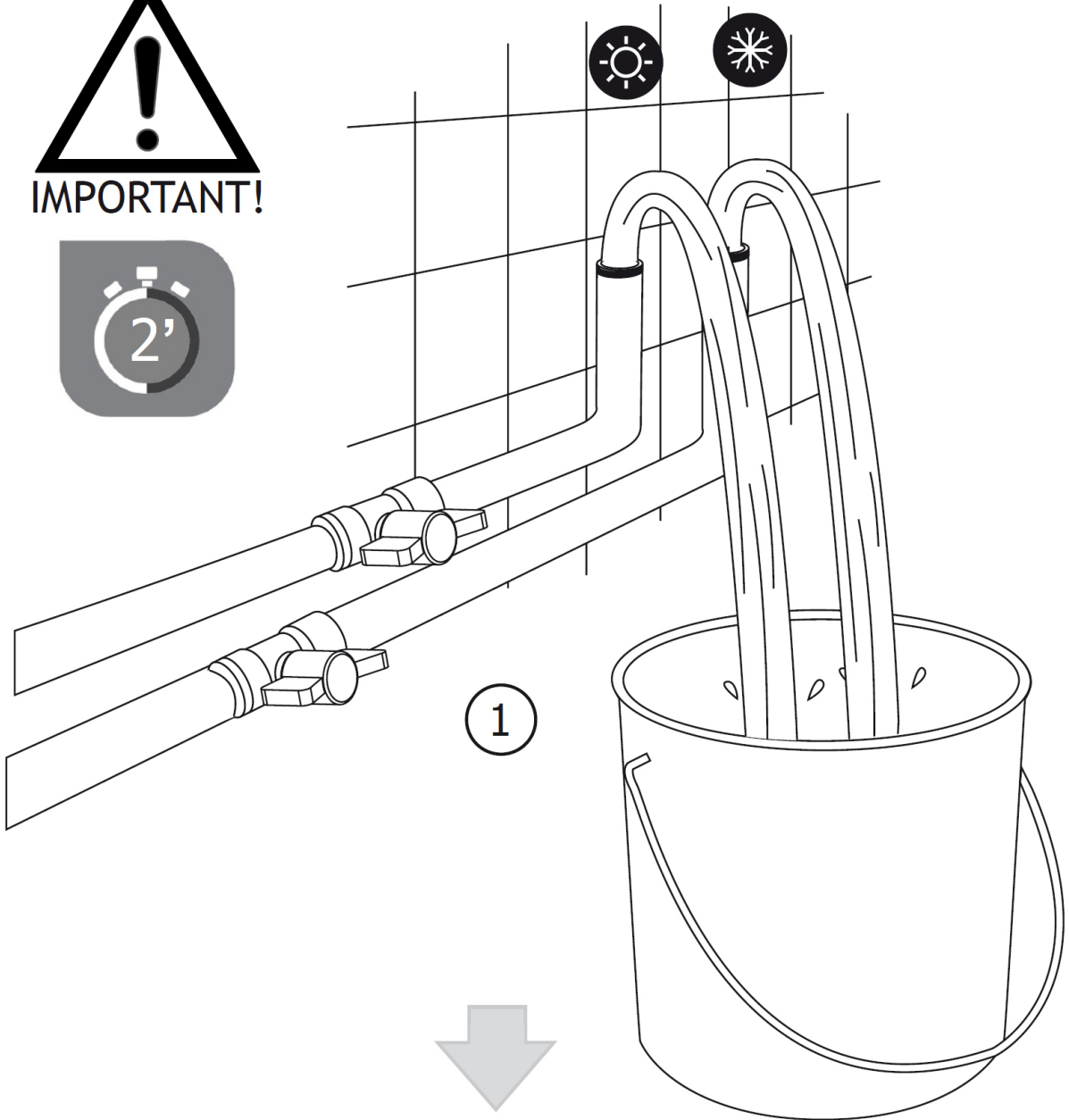


CIFIAL®

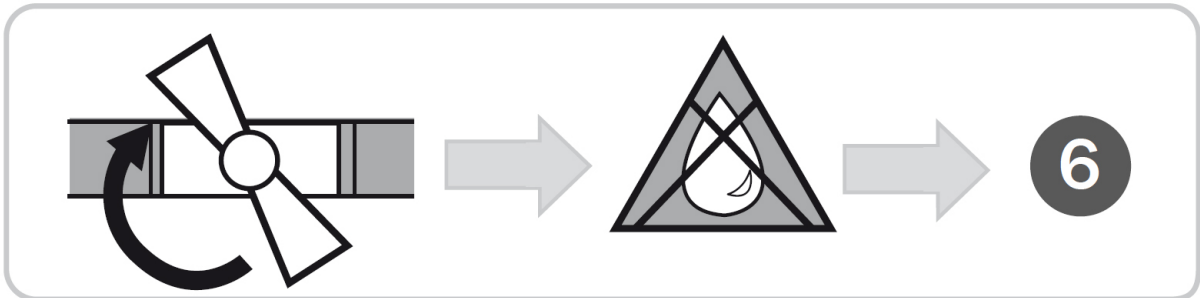
www.cifial.co.uk
sales@cifial.co.uk



IMPORTANT!

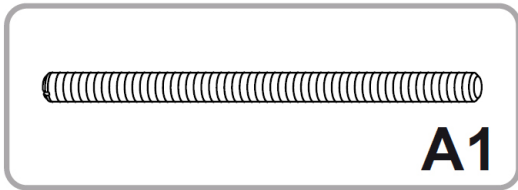
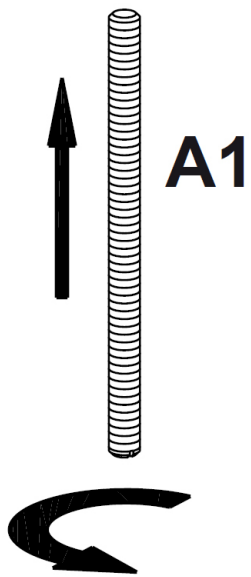
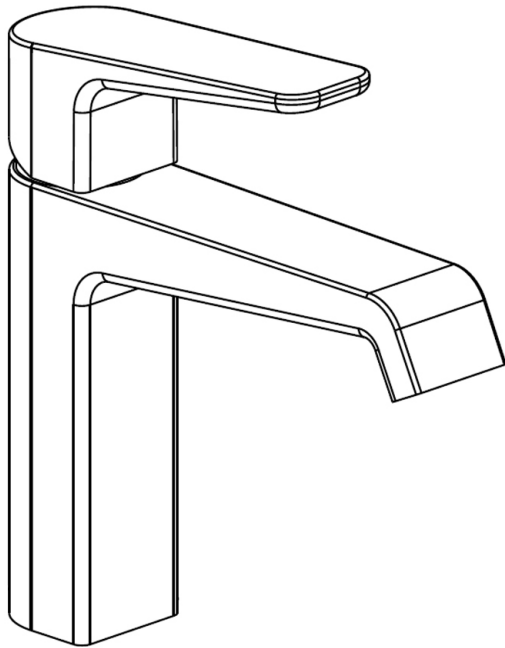


2



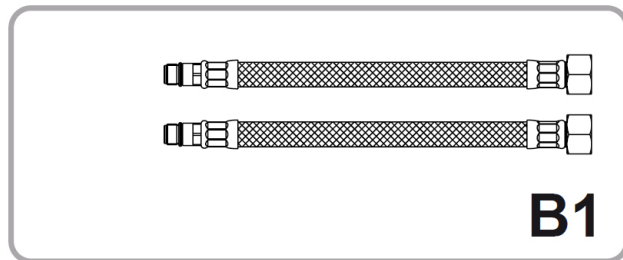
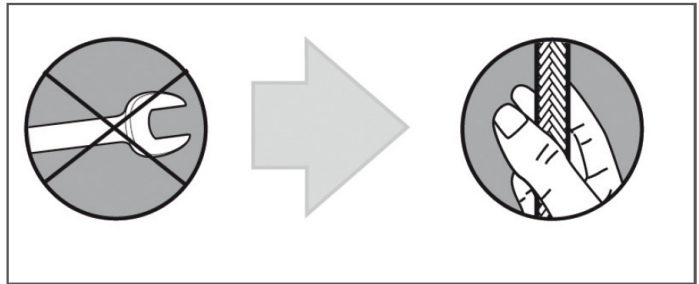
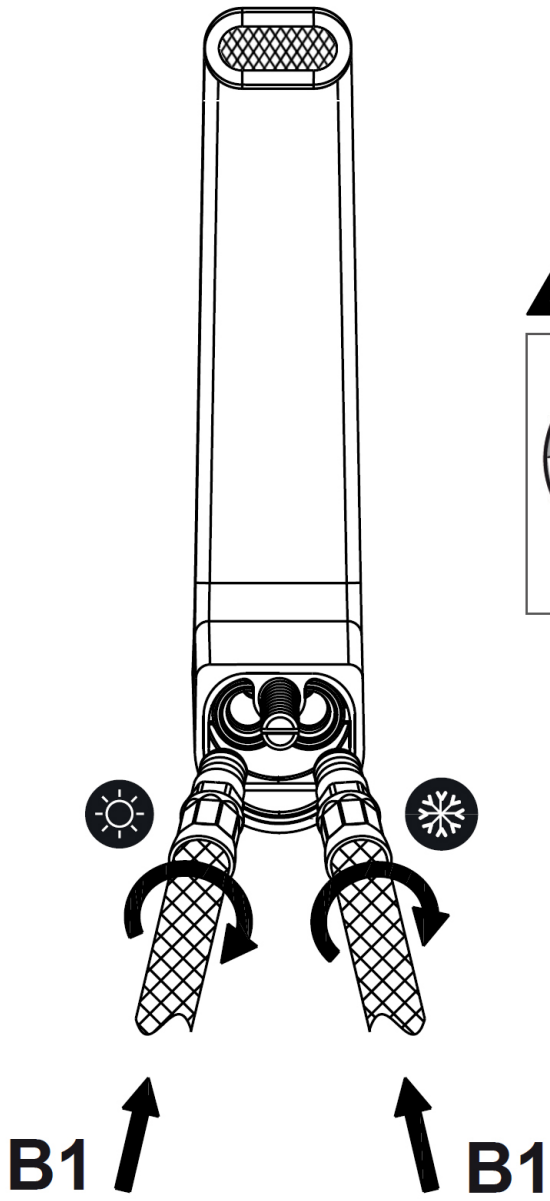
CIFIAL[®]

www.cifial.co.uk
sales@cifial.co.uk



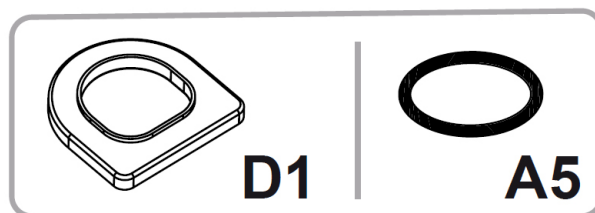
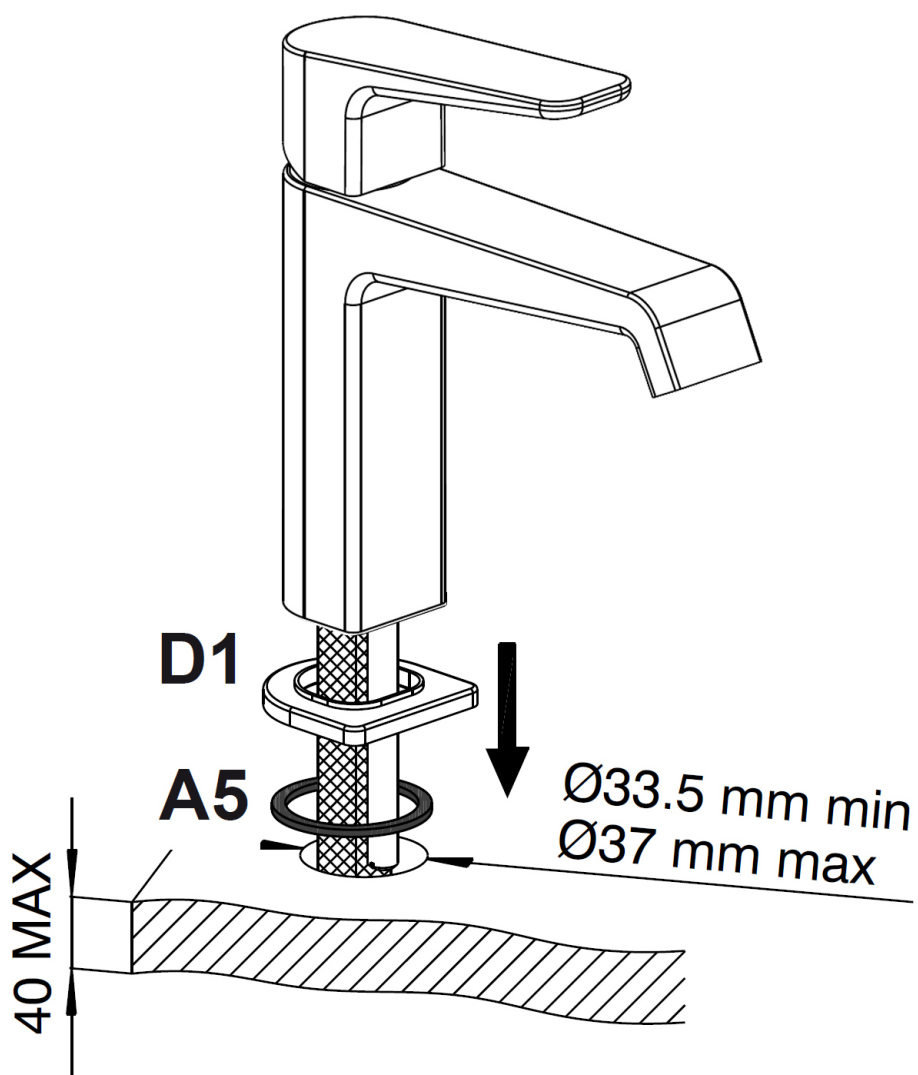
CIFIAL®

www.cifial.co.uk
sales@cifial.co.uk



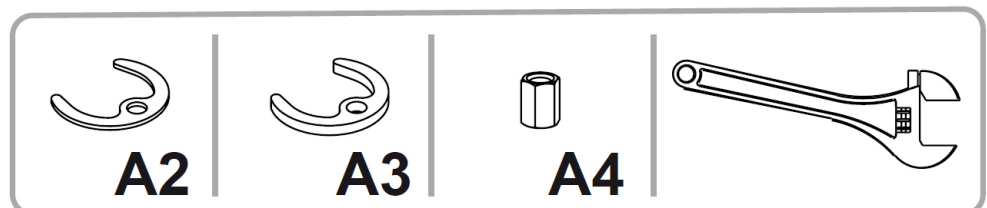
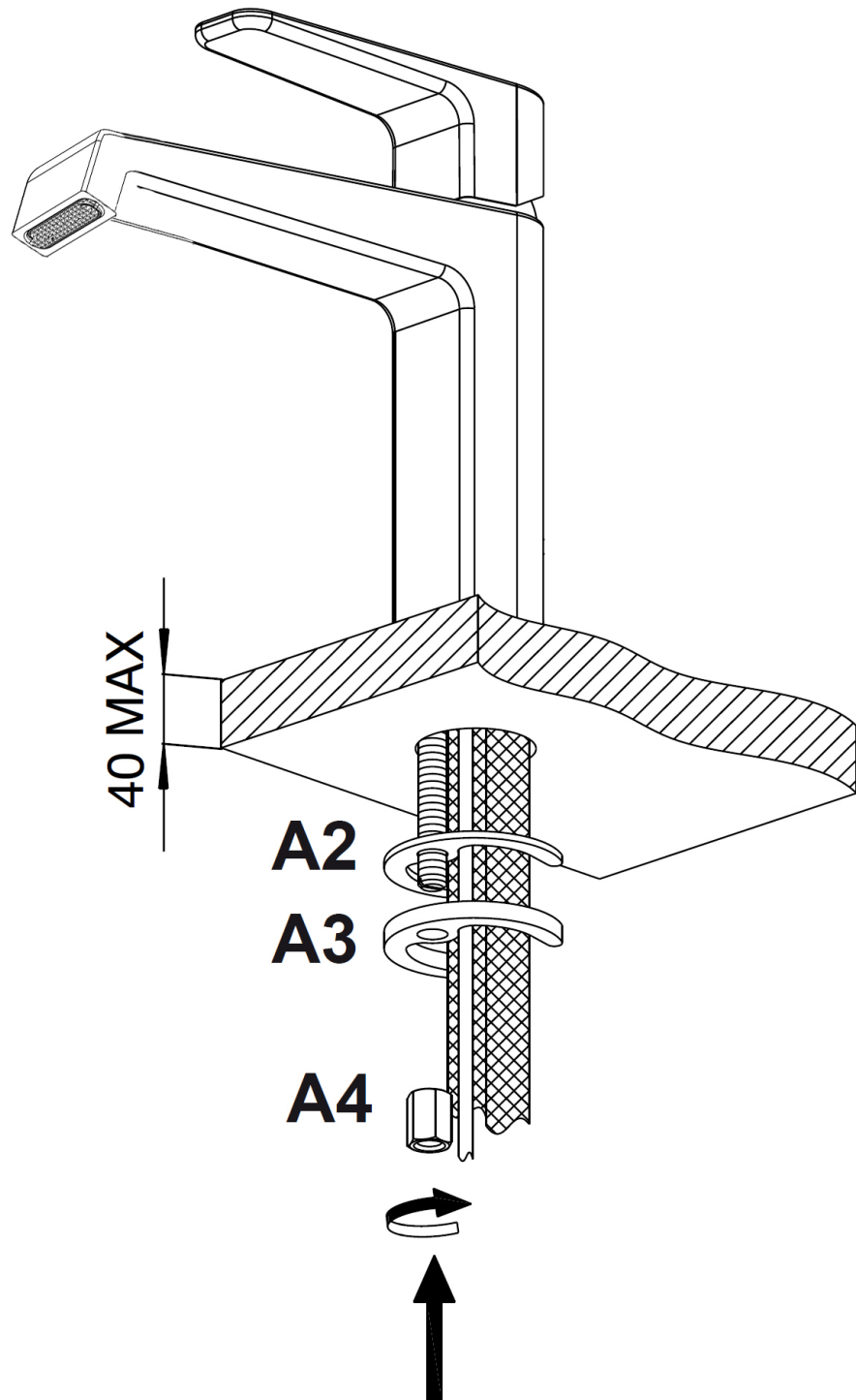
CIFIAL®

www.cifial.co.uk
sales@cifial.co.uk



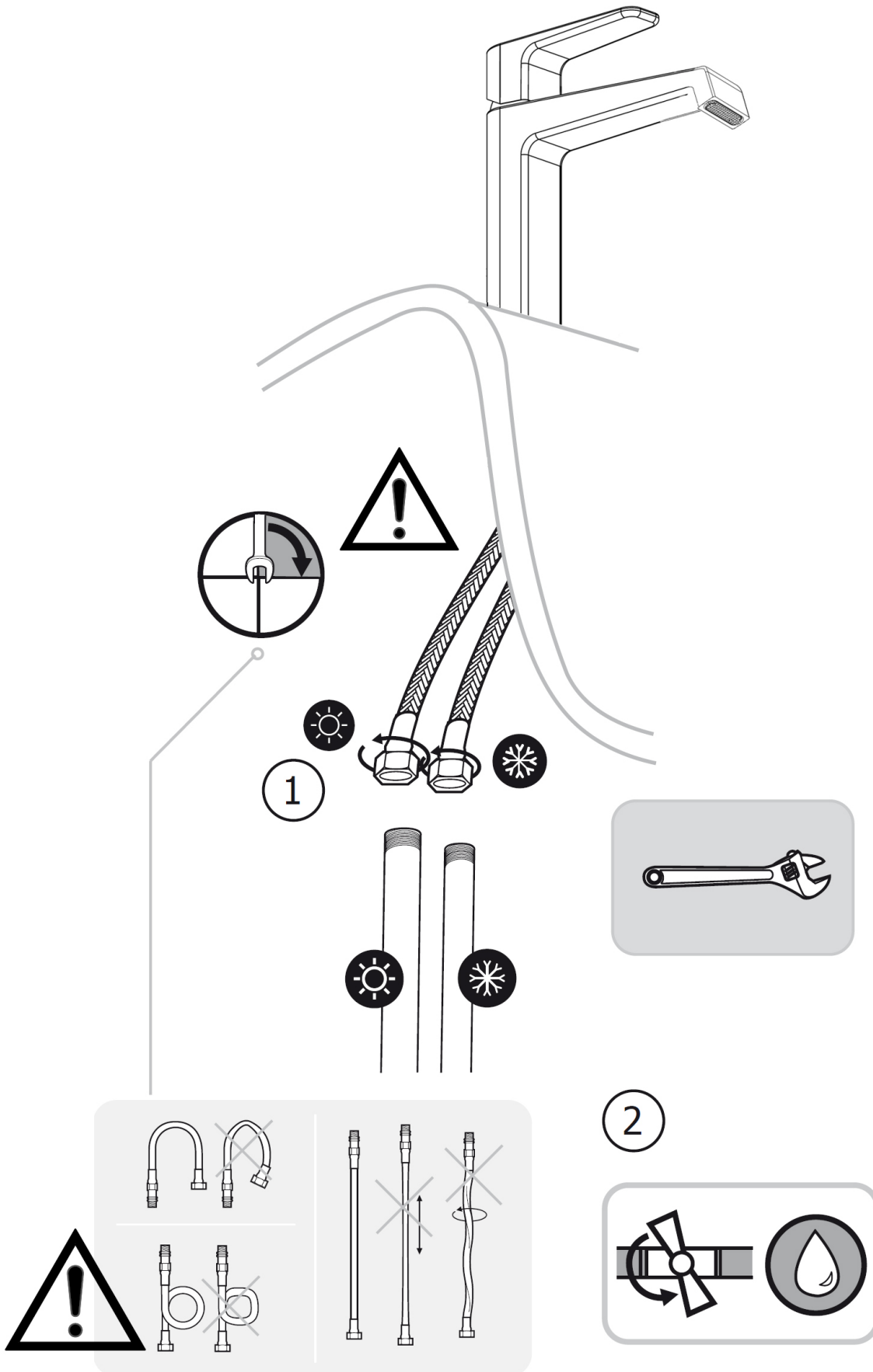
CIFIAL[®]

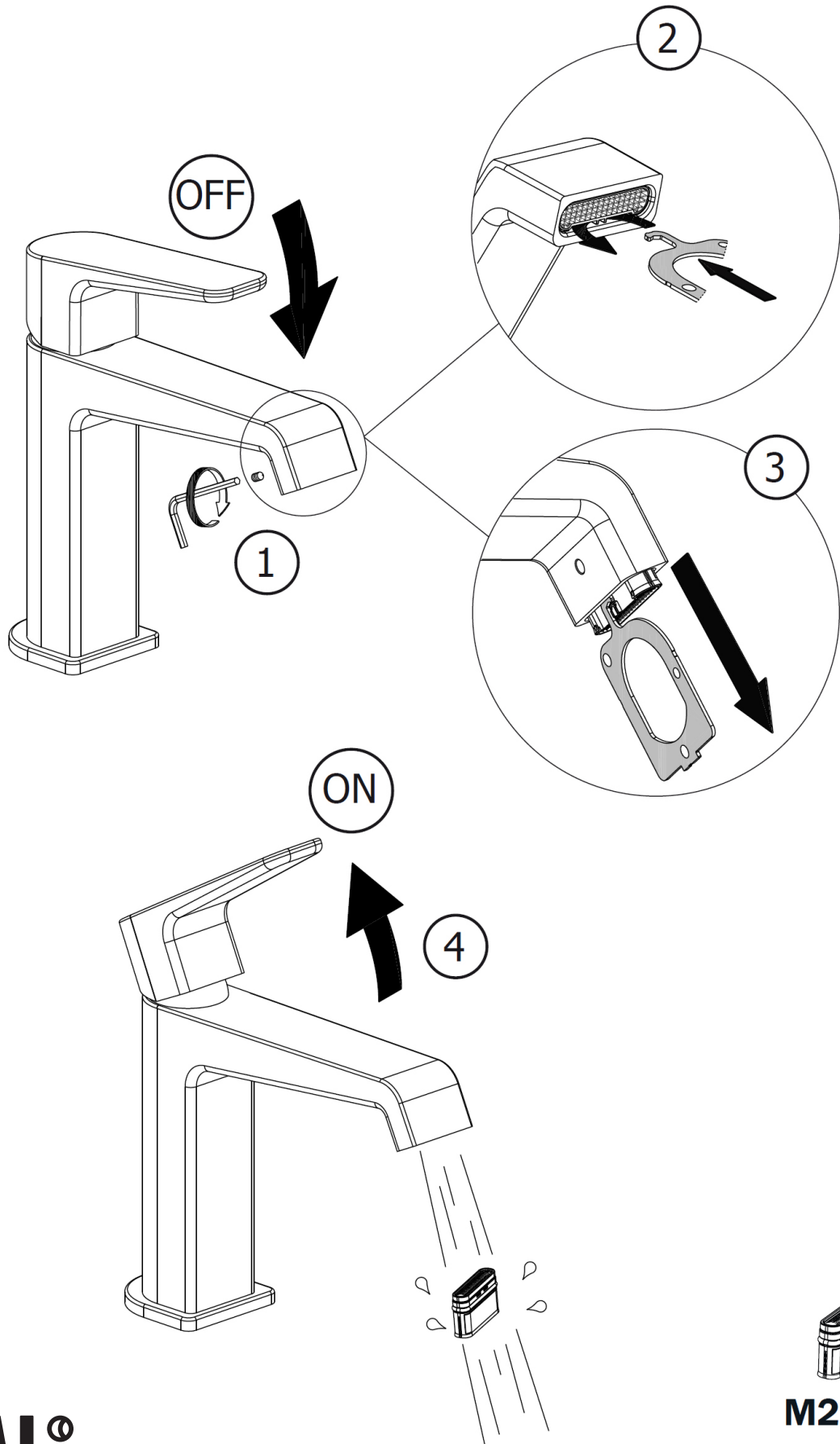
www.cifal.co.uk
sales@cifal.co.uk



CIFIAL®

www.cifial.co.uk
sales@cifial.co.uk

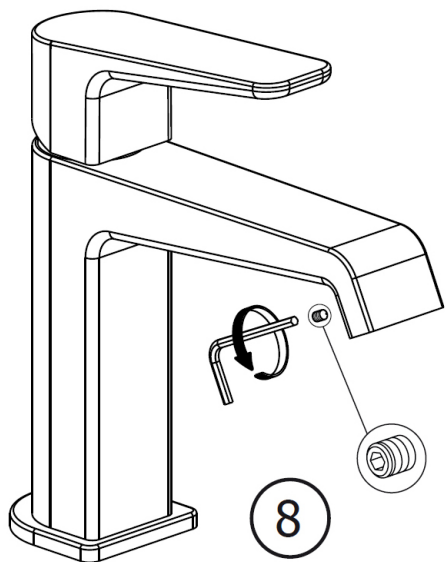
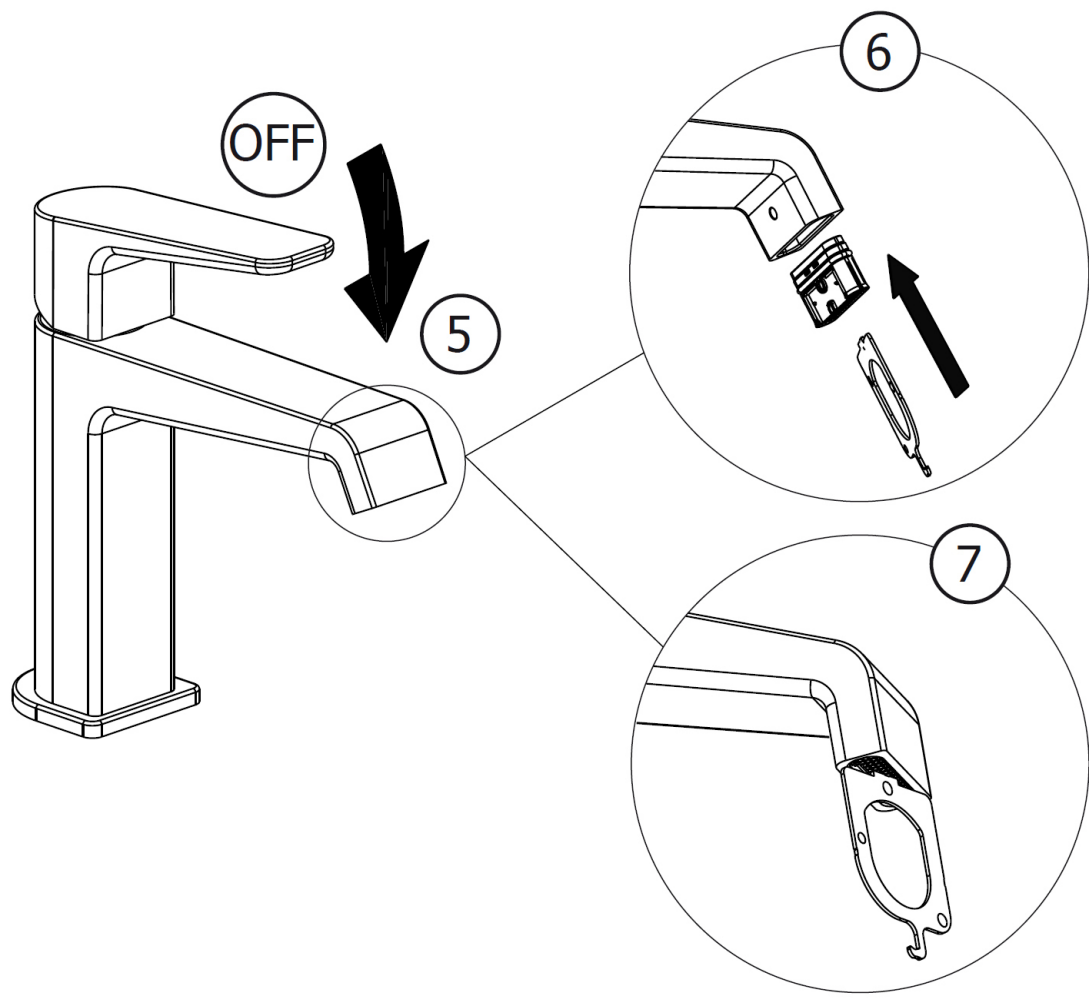




CIFIAL®

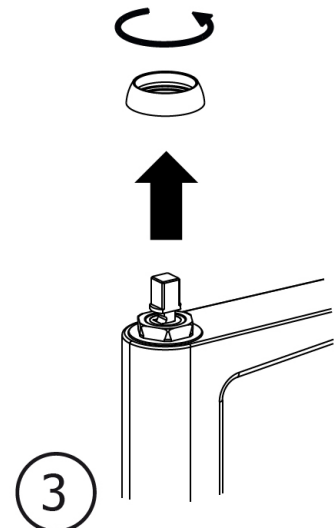
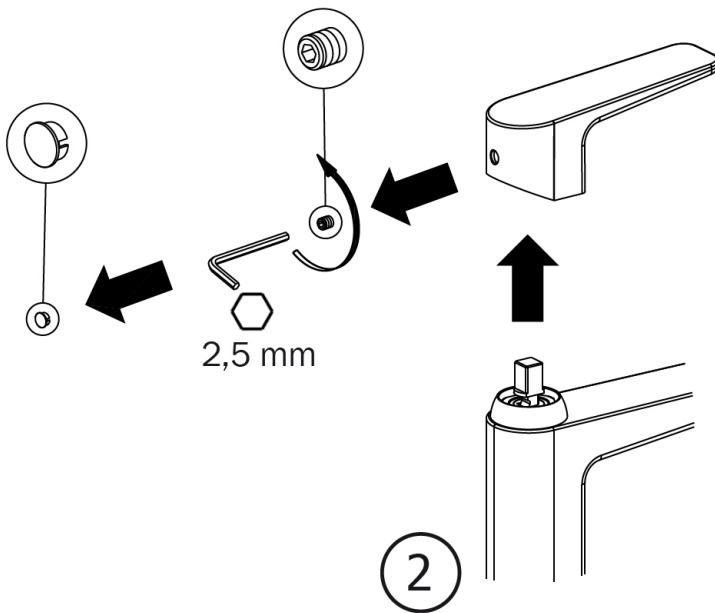
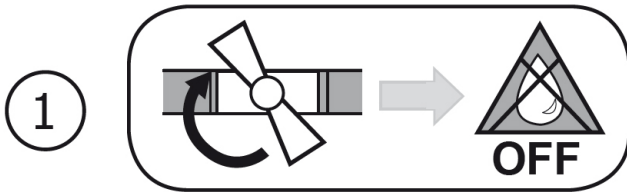
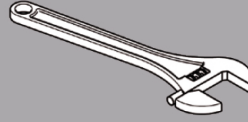
www.cifial.co.uk
sales@cifial.co.uk

M28x7



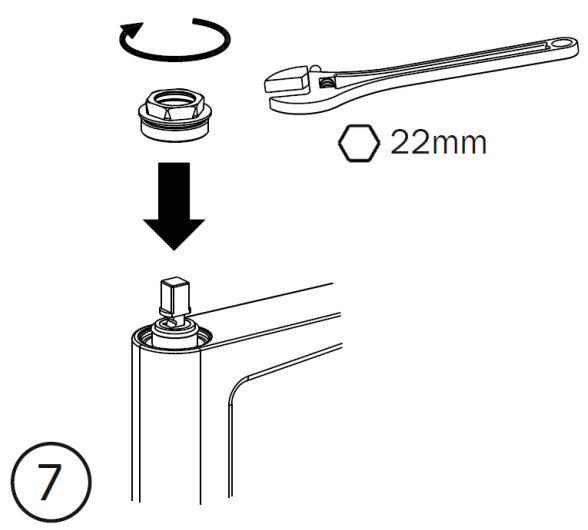
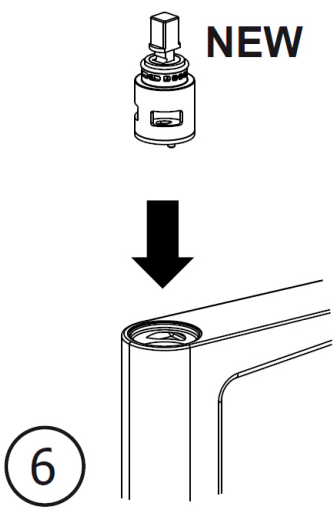
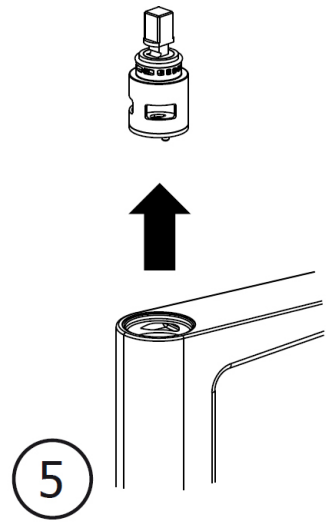
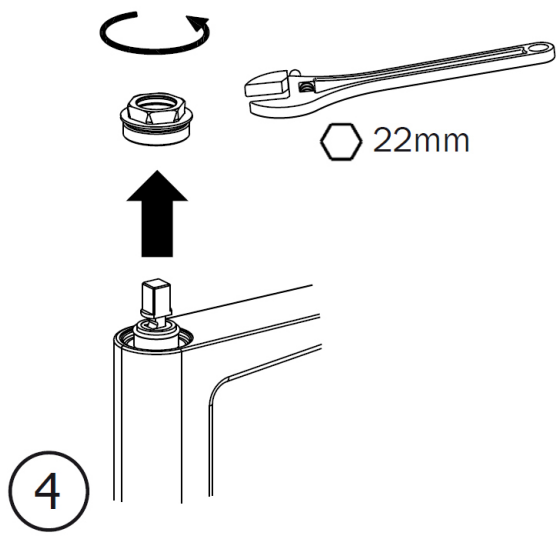
M28x7

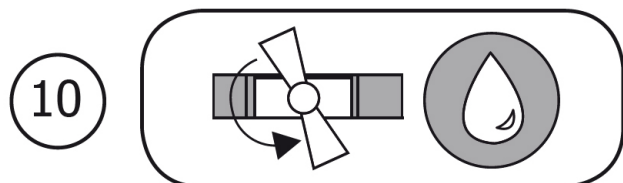
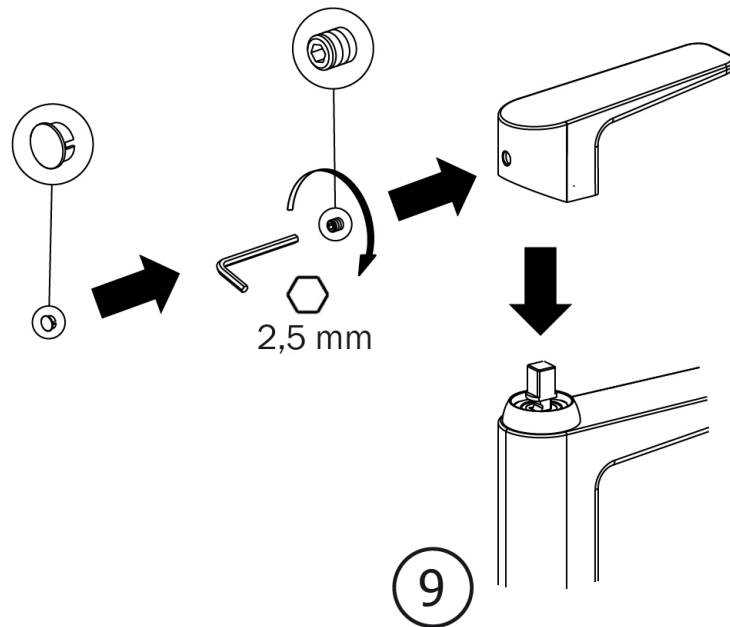
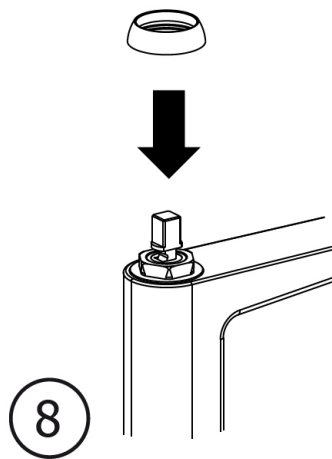
Not included



CIFIAL®

www.cifial.co.uk
sales@cifial.co.uk





CIFIAL®

www.cifial.co.uk
sales@cifial.co.uk

CIFIAL[®]

www.cifial.co.uk
sales@cifial.co.uk

CIFIAL®

www.cifial.co.uk
sales@cifial.co.uk