

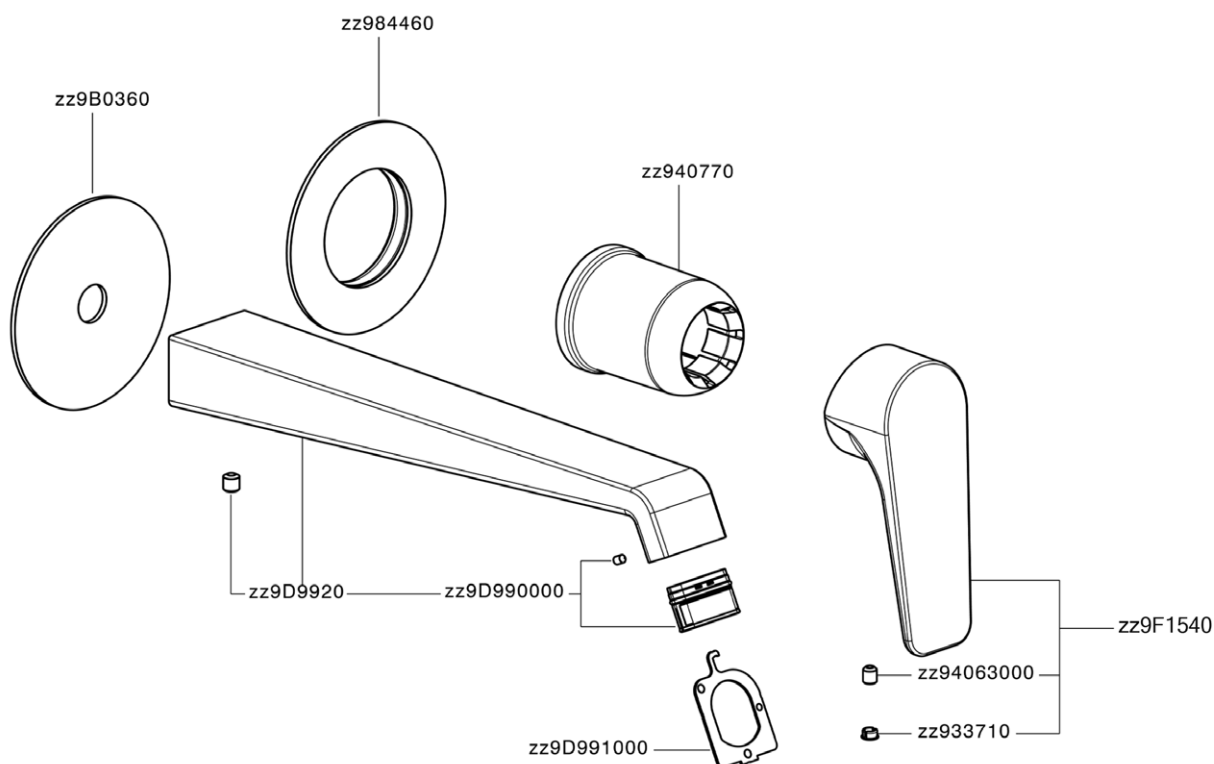
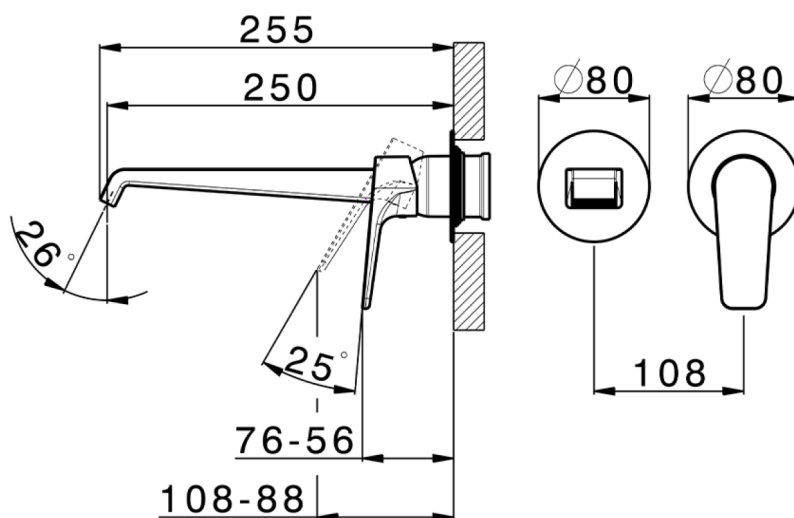
technical specifications

Code: 32405RR

Made up of:
1 x RL305511xx trim set
1 x ZBL0245004 concealed rough

RAZER 2 hole wall basin mixer

RL305511xx TRIM SET



CIFIAL®

www.cifial.co.uk
sales@cifial.co.uk

dimensions mm

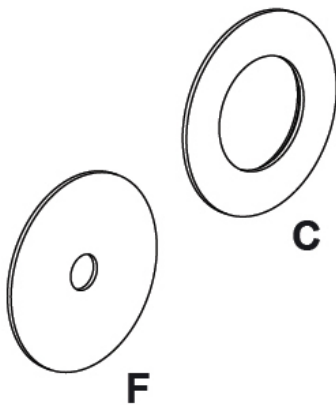
GB**OPERATING CONDITIONS**

- Minimum dynamic pressure.....1 bar
- Recommended working pressure (static).....3 bar
(ATTENTION: when pressure exceeds 5 bar, the installation of a pressure reducer is recommended)
- Maximum working pressure (static).....5 bar
- Maximum test pressure (static).....16 bar
- Maximum hot water temperature.....80 °C
- Recommended hot water temperature.....65 °C (for safety and energy saving)

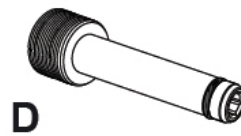
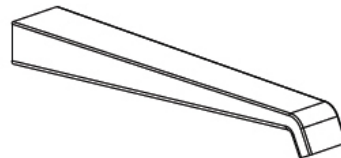
Not included



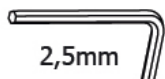
Included



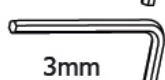
E2



1,5mm



2,5mm



3mm



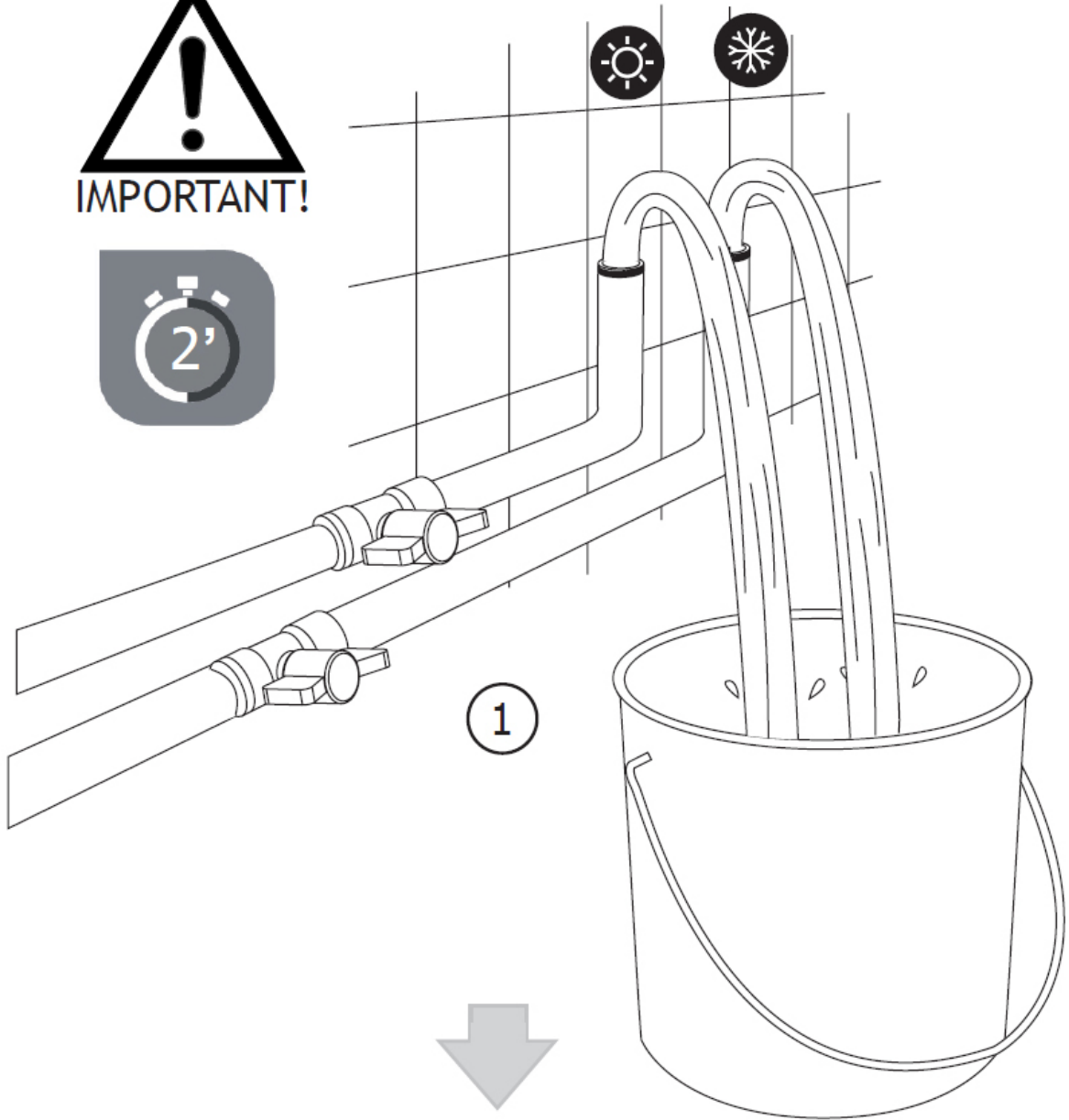
B2

B3

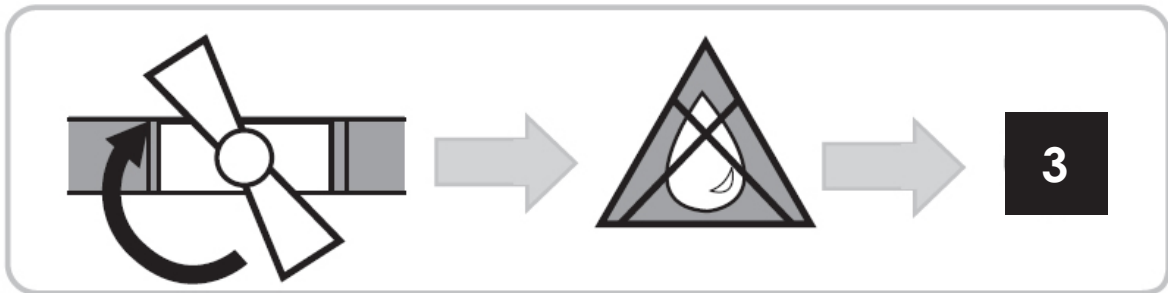
B1

**CIFIAL®**

www.cifial.co.uk
sales@cifial.co.uk

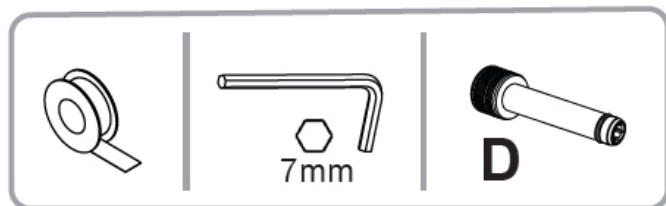
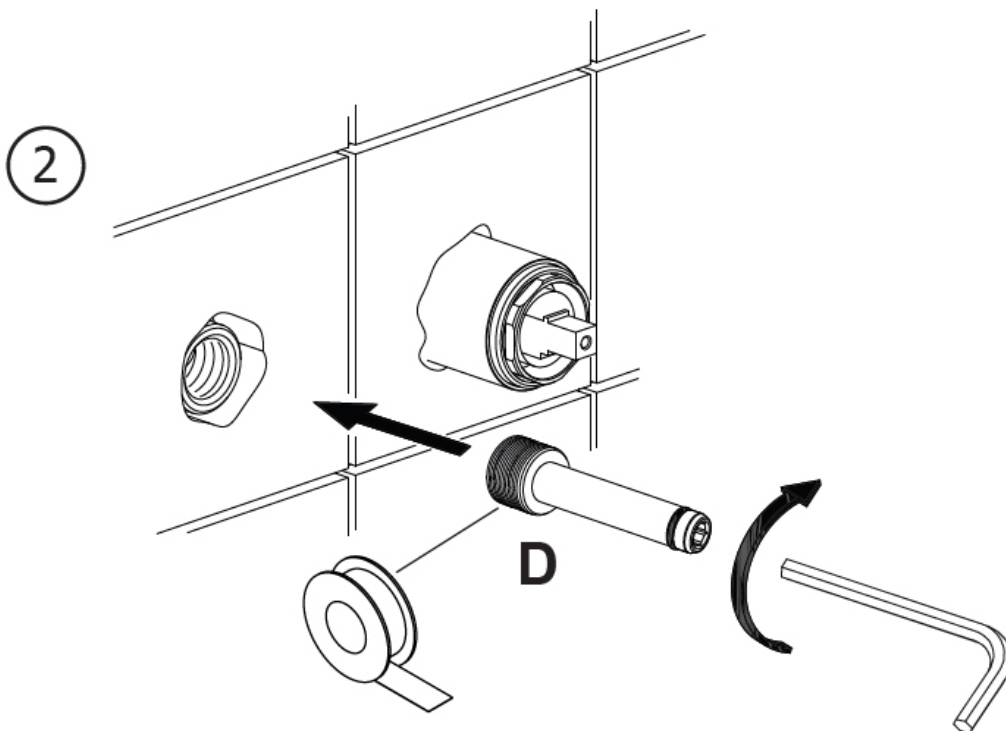
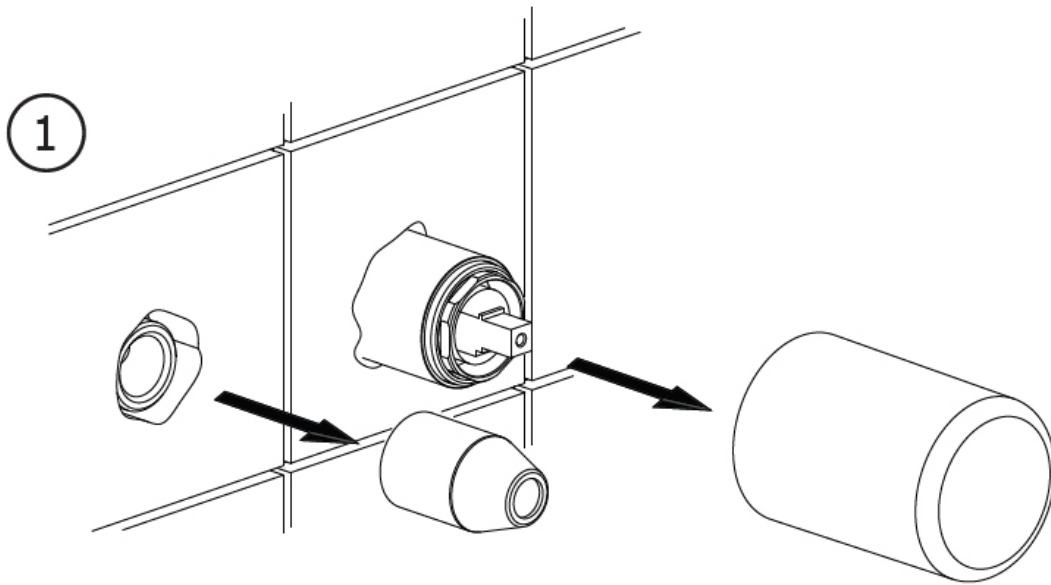


2



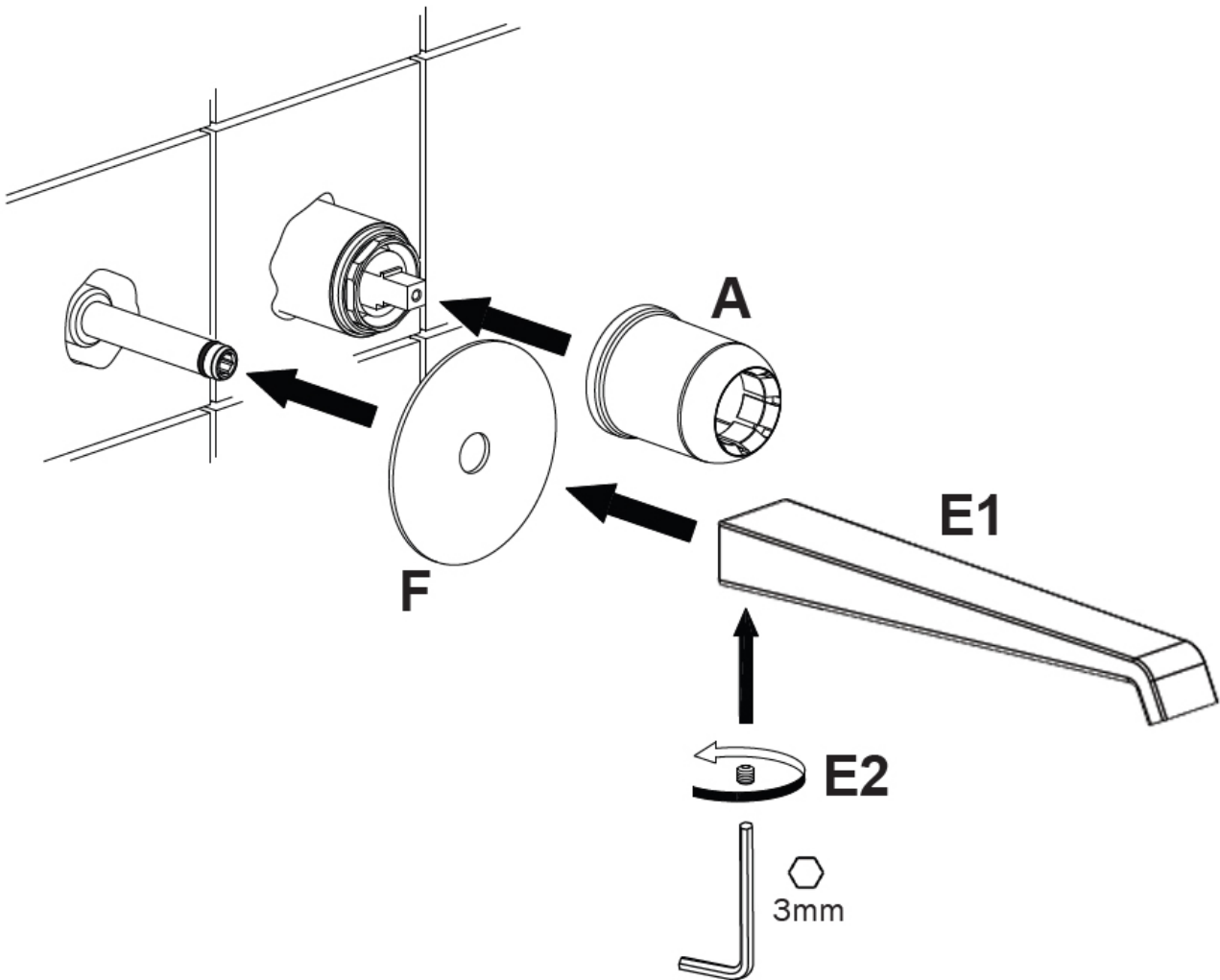
CIFIAL®

www.cifial.co.uk
sales@cifial.co.uk



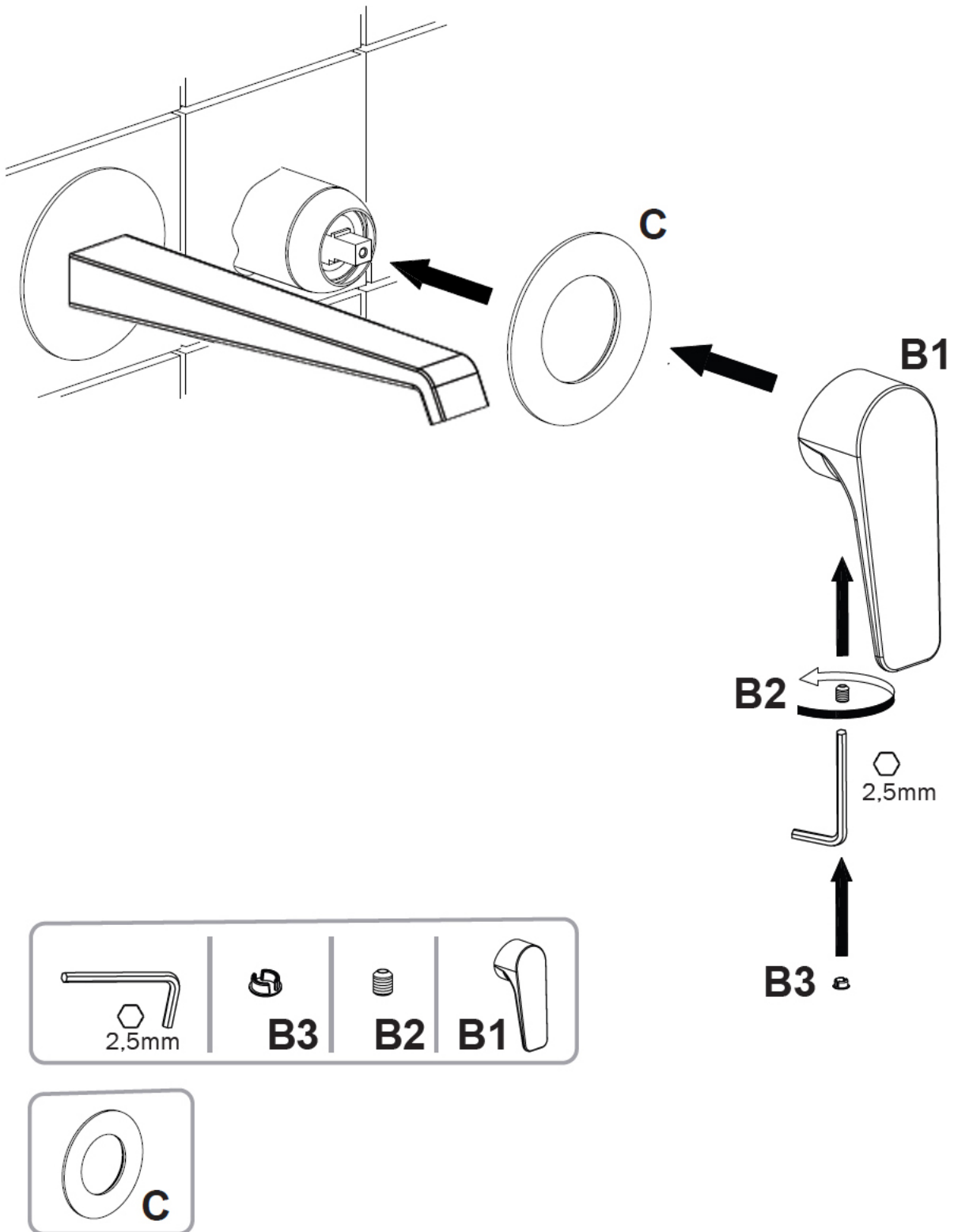
CIFIAL®

www.cifial.co.uk
sales@cifial.co.uk



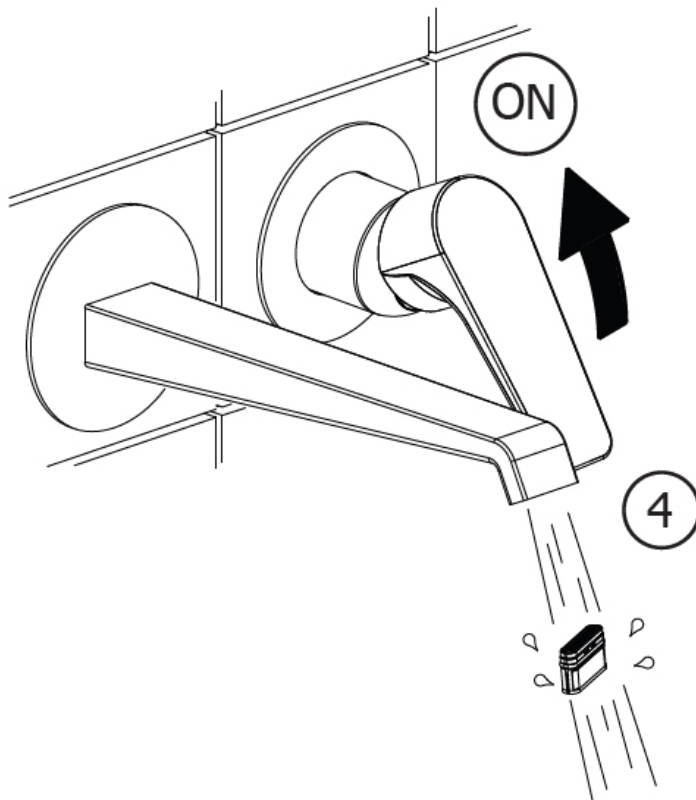
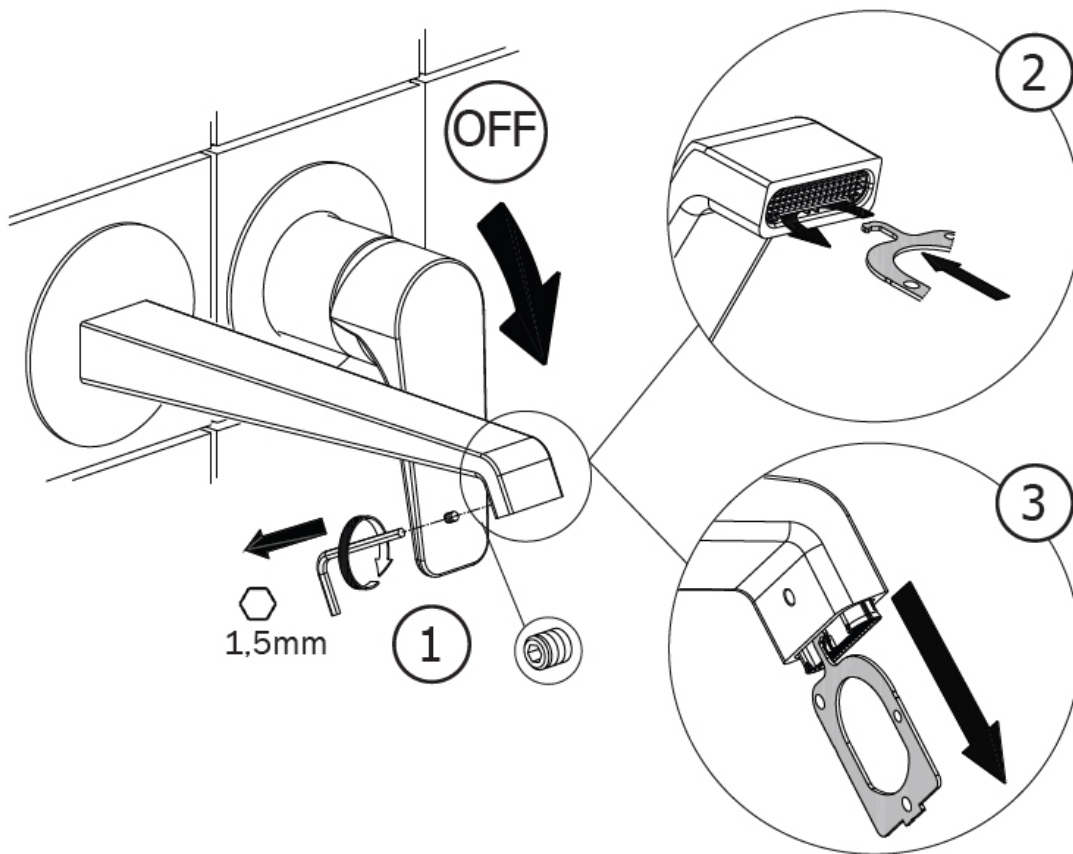
CIFIAL®

www.cifial.co.uk
sales@cifial.co.uk



CIFIAL®

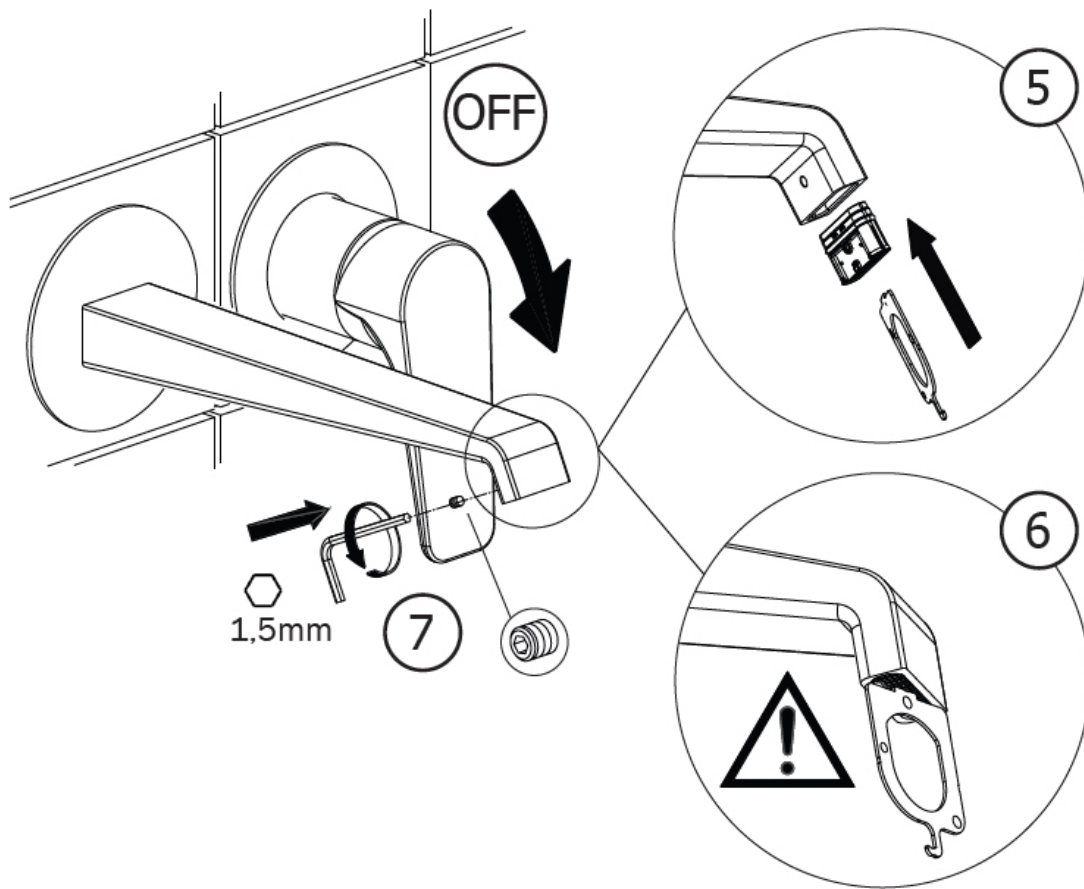
www.cifial.co.uk
sales@cifial.co.uk



M28x7

CIFIAL®

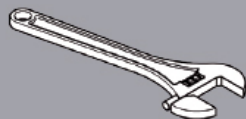
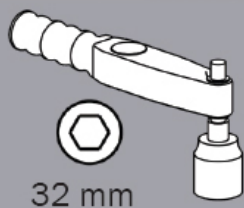
www.cifal.co.uk
sales@cifal.co.uk



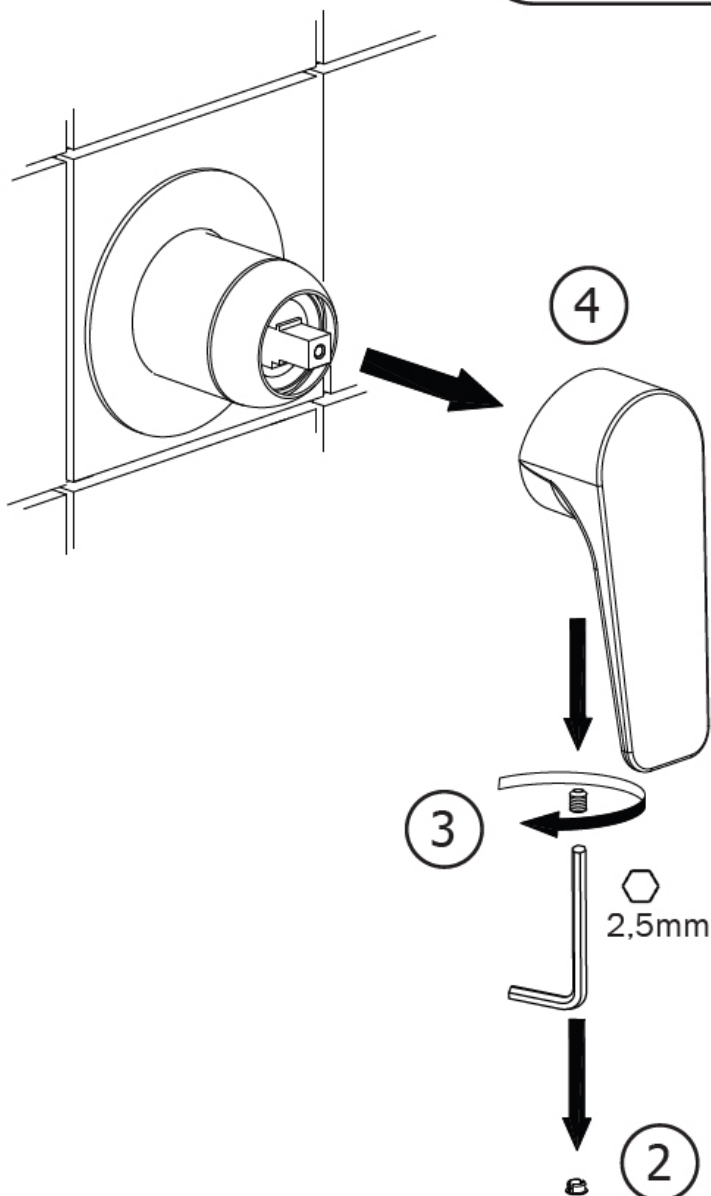
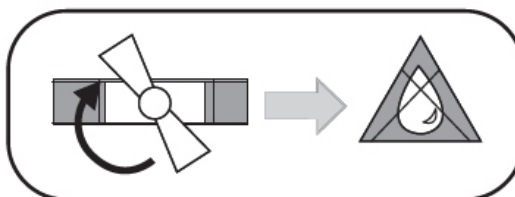
CIFIAL®

www.cifial.co.uk
sales@cifial.co.uk

Not included

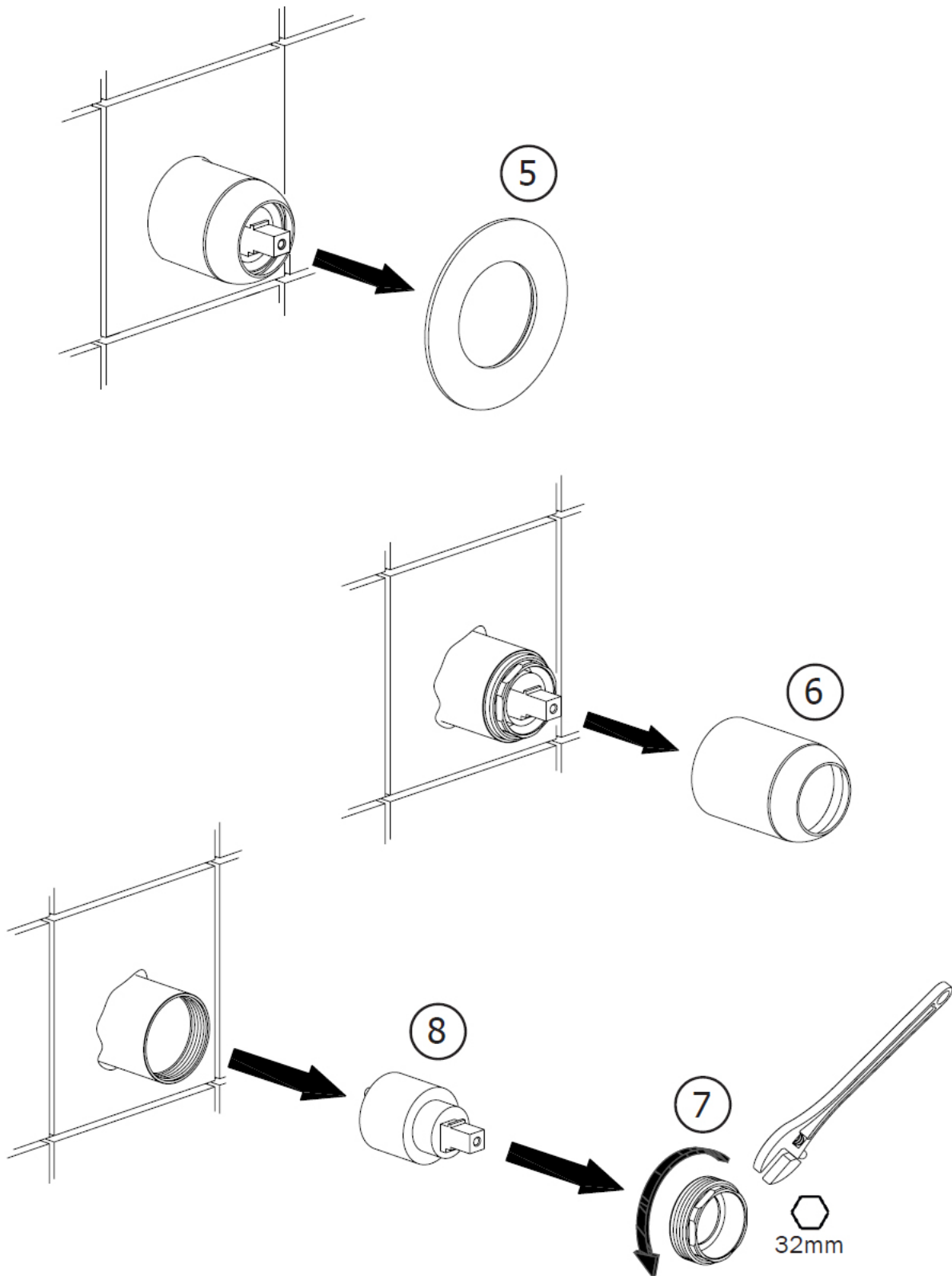


1



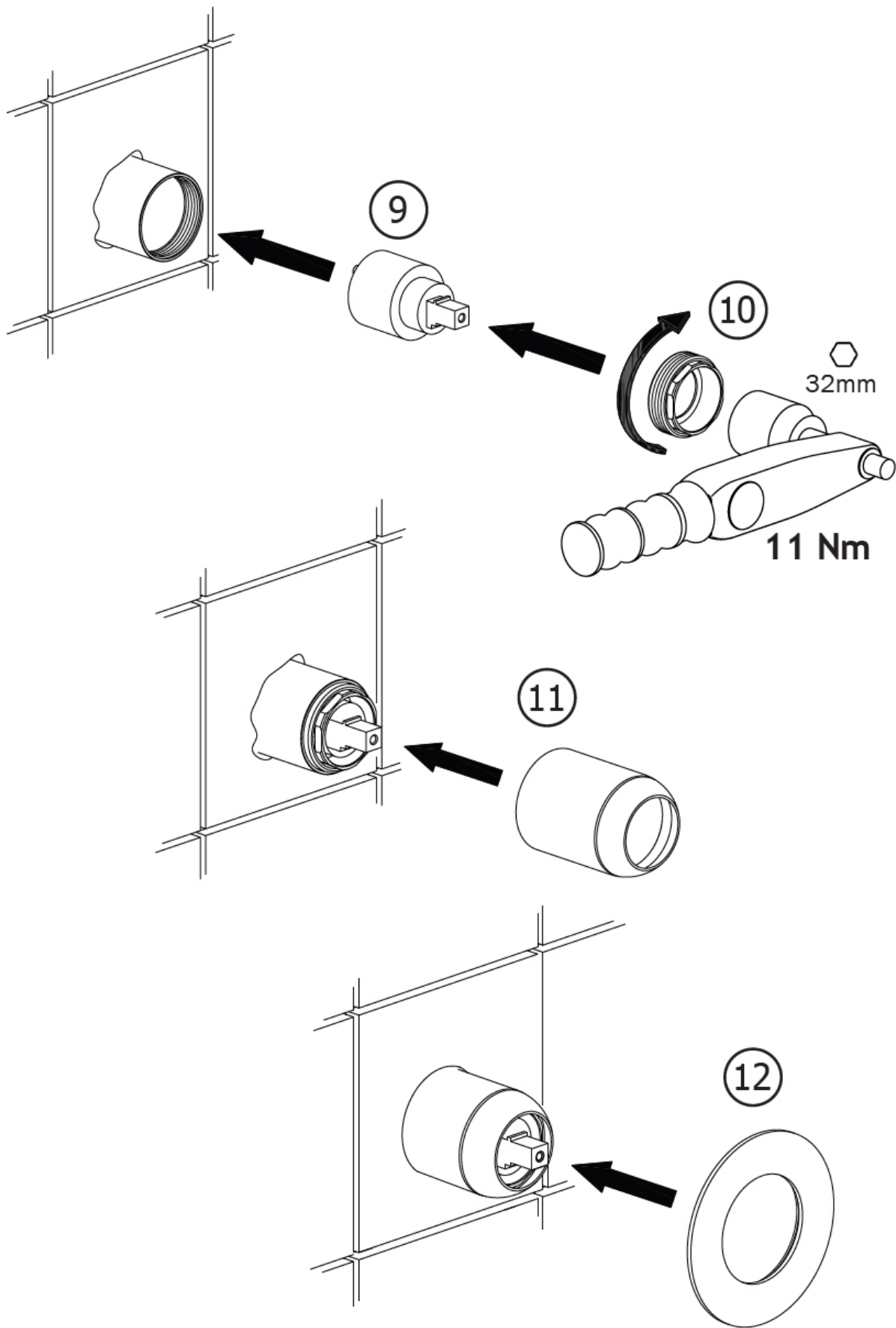
CIFIAL®

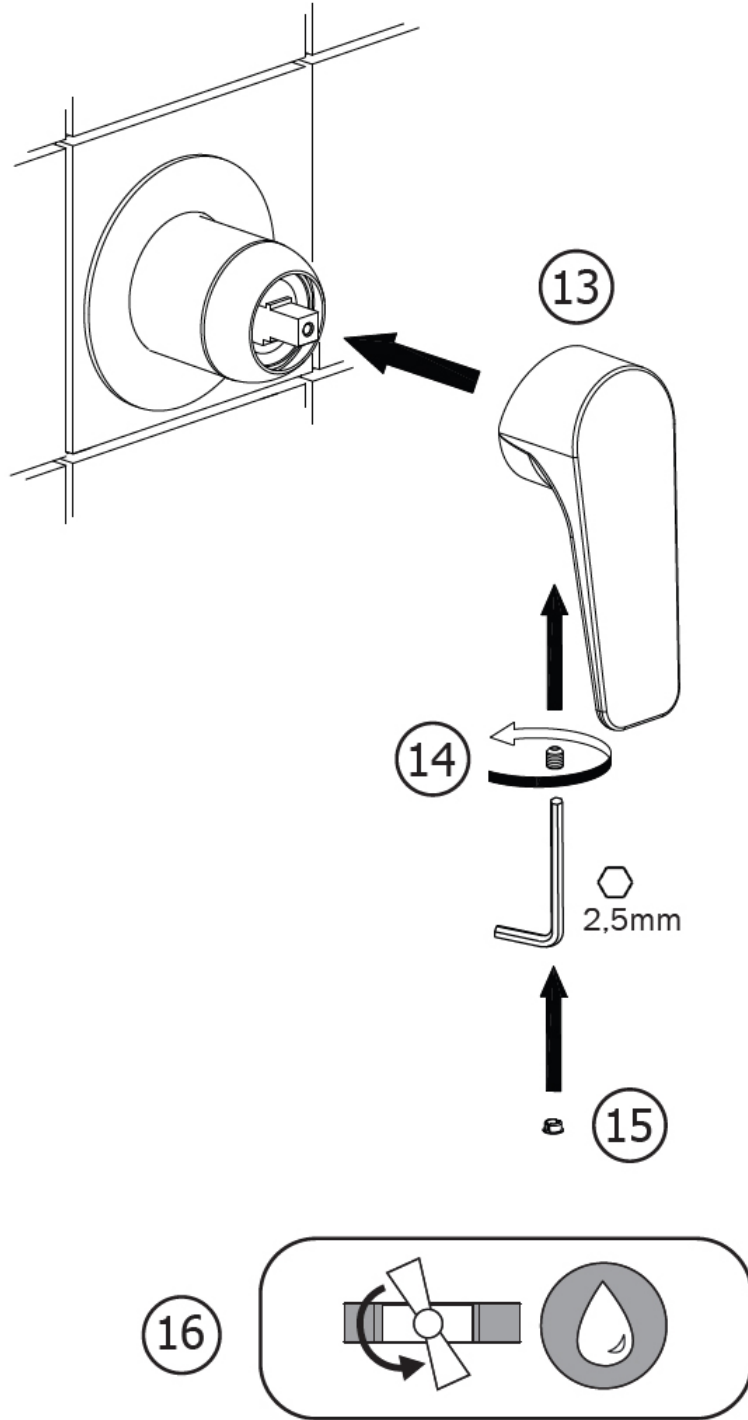
www.cifial.co.uk
sales@cifial.co.uk



CIFIAL®

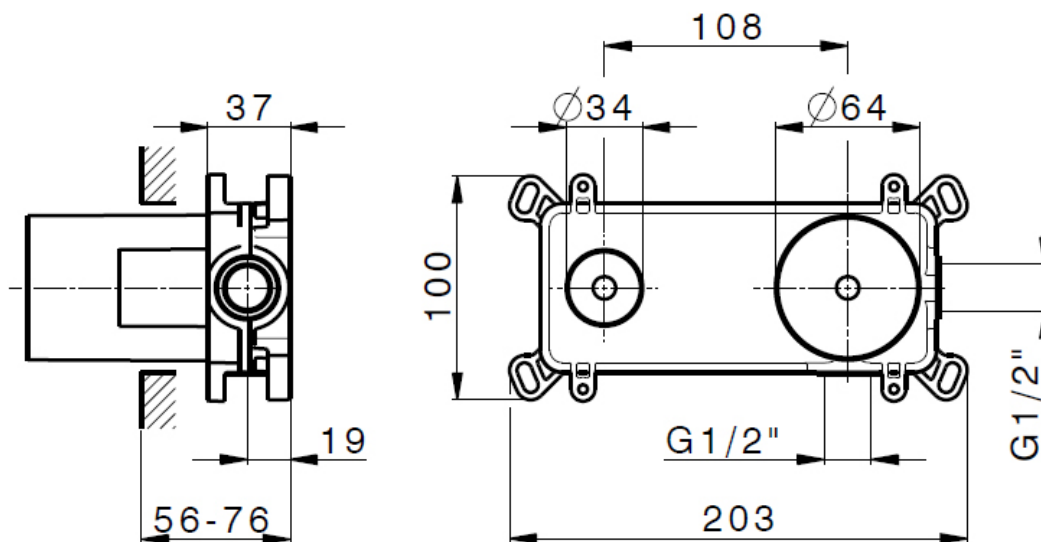
www.cifial.co.uk
sales@cifial.co.uk





2 hole wall basin mixer

ZBL0245004 CONCEALED ROUGH



CIFIAL®

www.cifial.co.uk
sales@cifial.co.uk

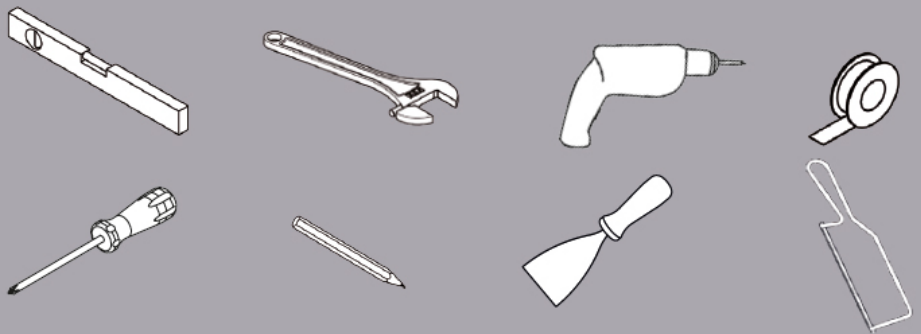
dimensions mm

GB**OPERATING CONDITIONS**

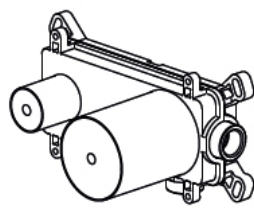
- Minimum dynamic pressure.....1 bar
- Recommended working pressure (static).....3 bar
(ATTENTION: when pressure exceeds 5 bar, the installation of a pressure reducer is recommended)
- Maximum working pressure (static).....5 bar
- Maximum test pressure (static).....16 bar
- Maximum hot water temperature.....80 °C
- Recommended hot water temperature.....65 °C (for safety and energy saving)



Not included



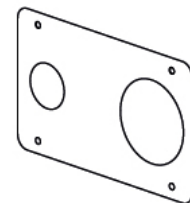
Included



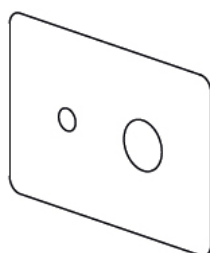
A1



B1



C1



D1



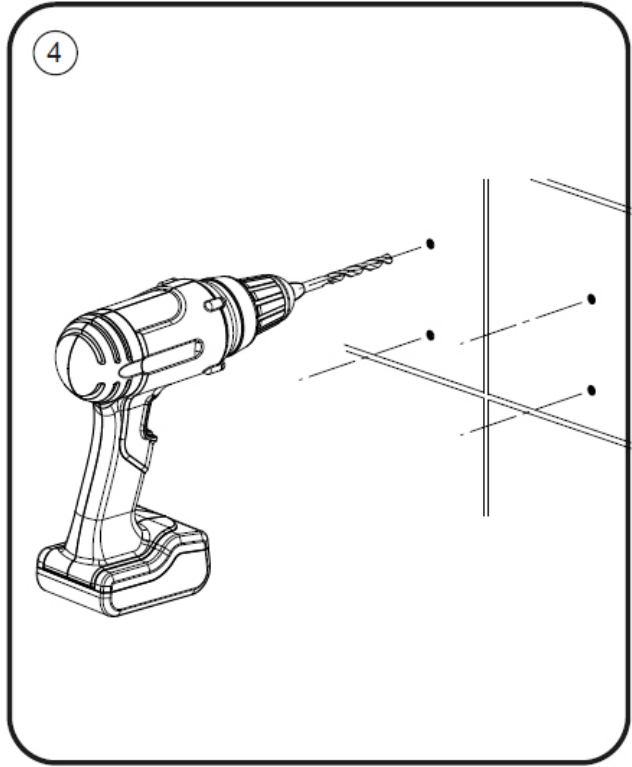
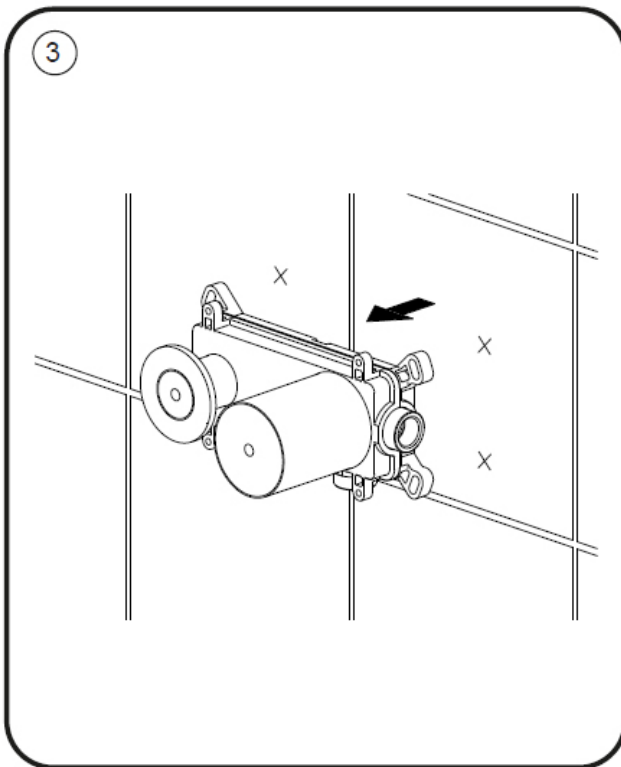
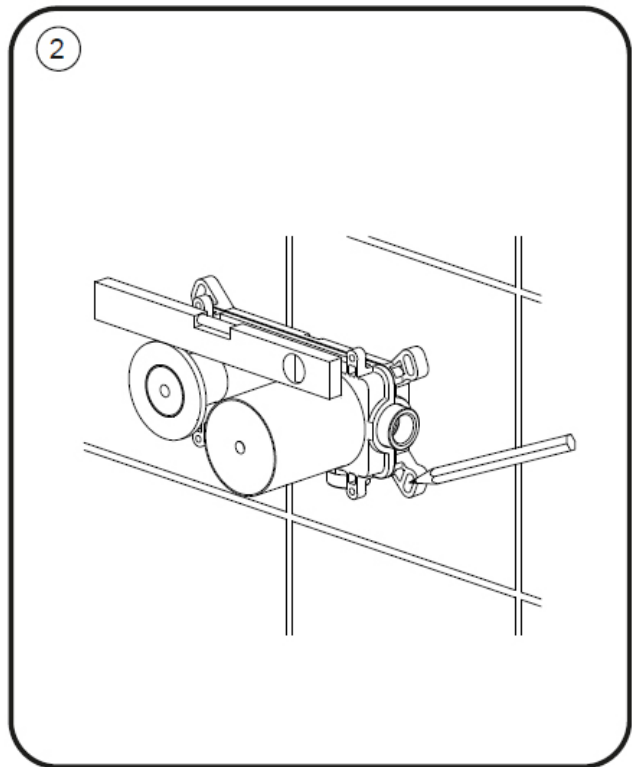
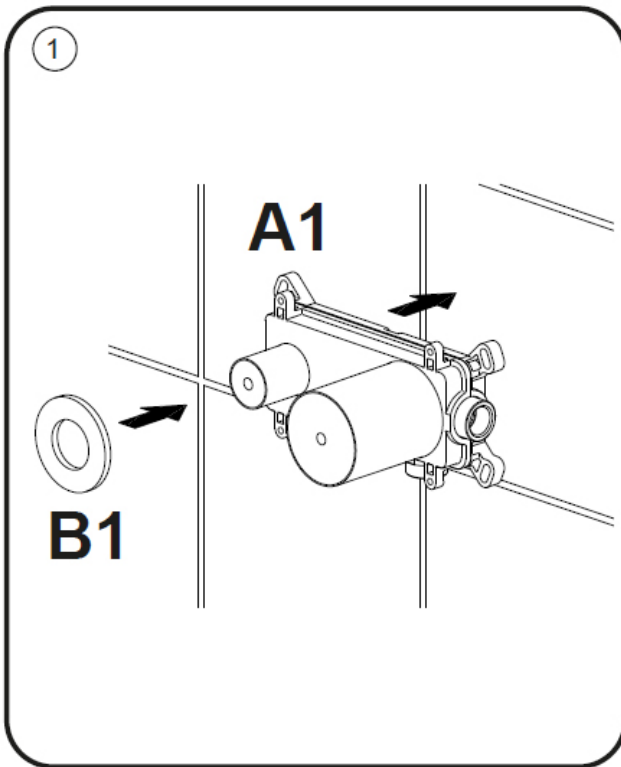
E1



E2

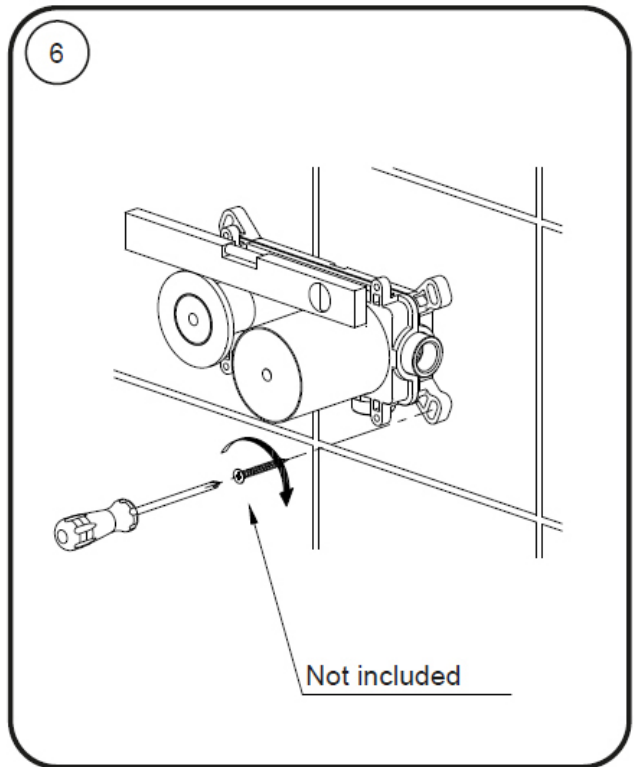
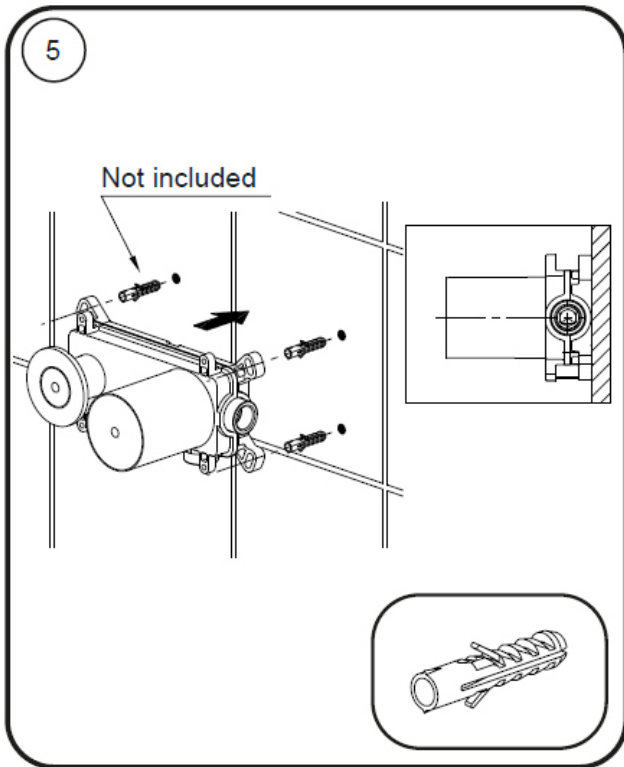
CIFIAL®

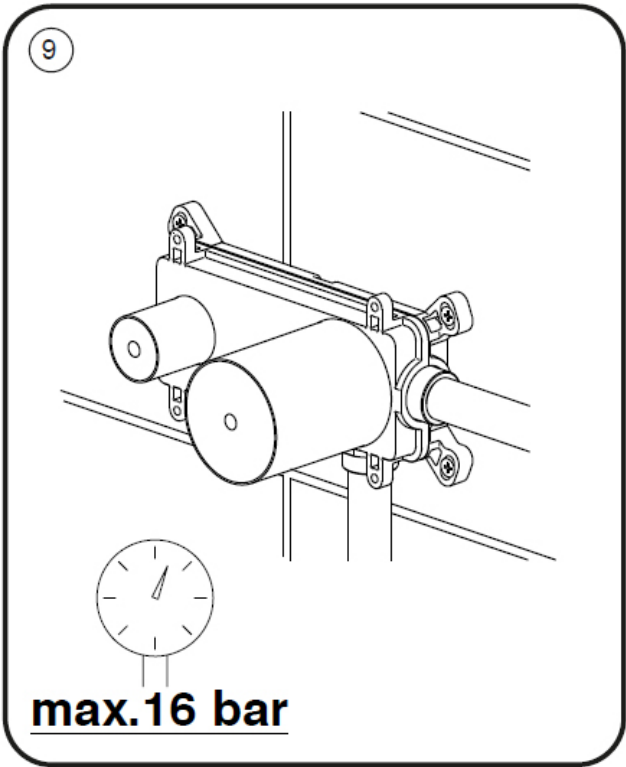
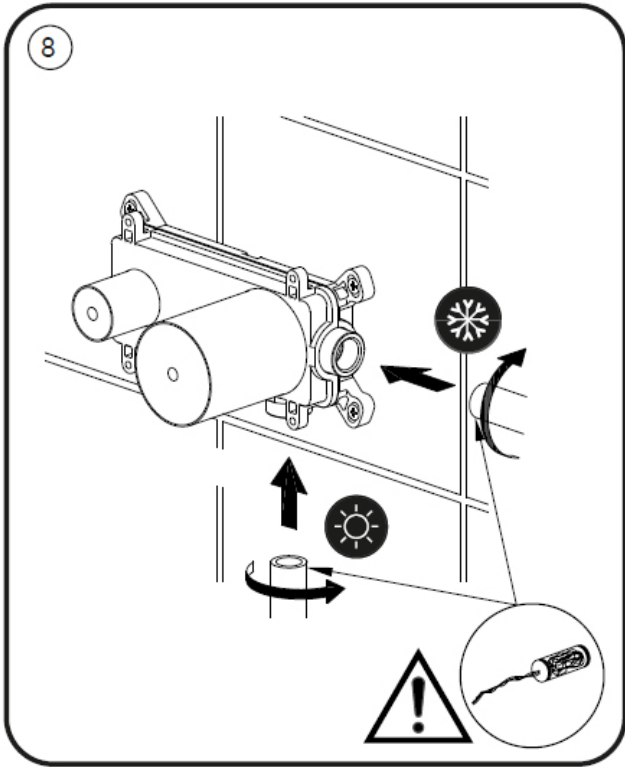
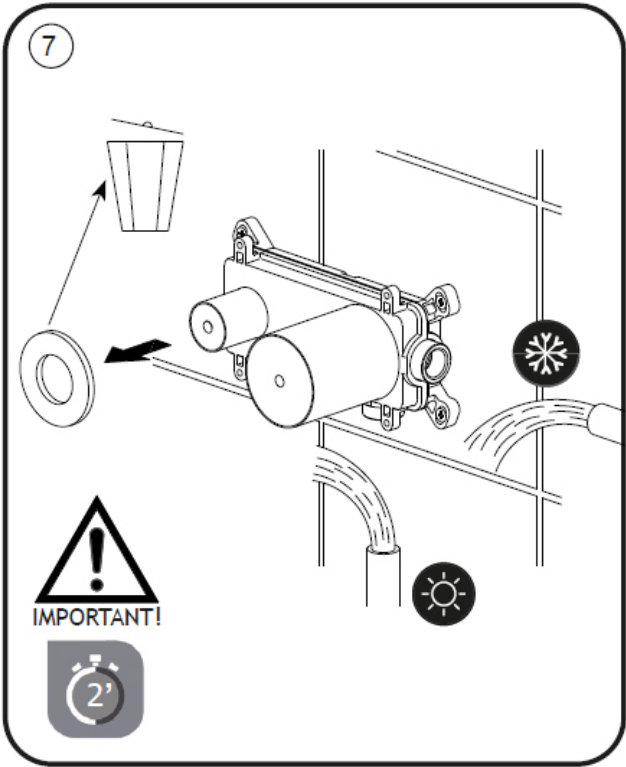
www.cifial.co.uk
sales@cifial.co.uk



CIFIAL®

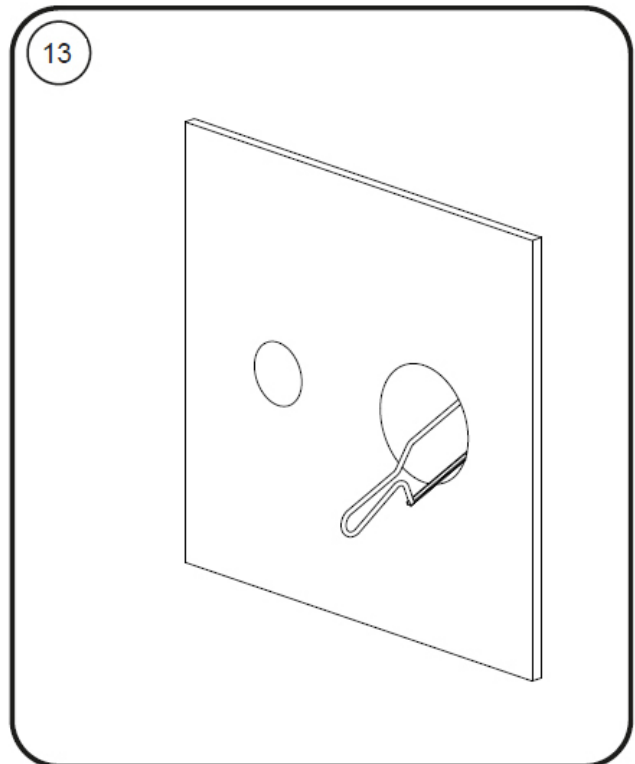
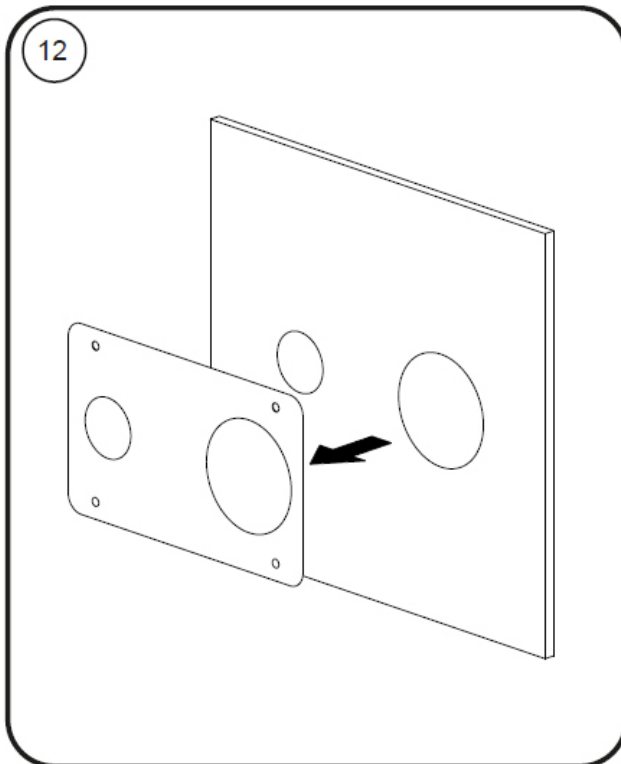
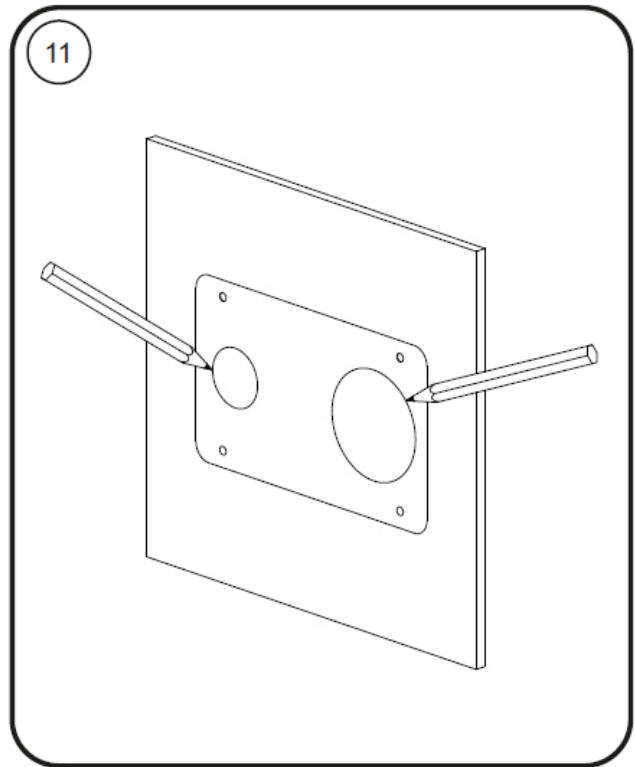
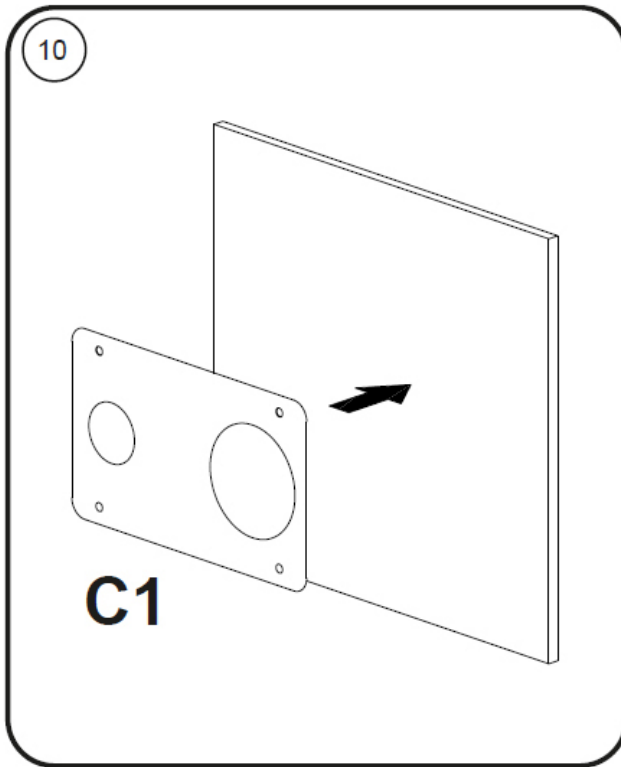
www.cifial.co.uk
sales@cifial.co.uk





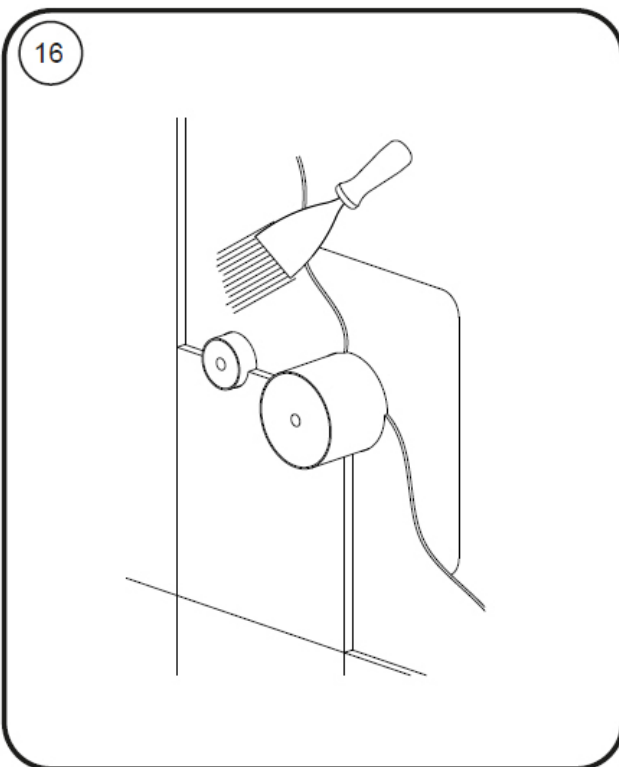
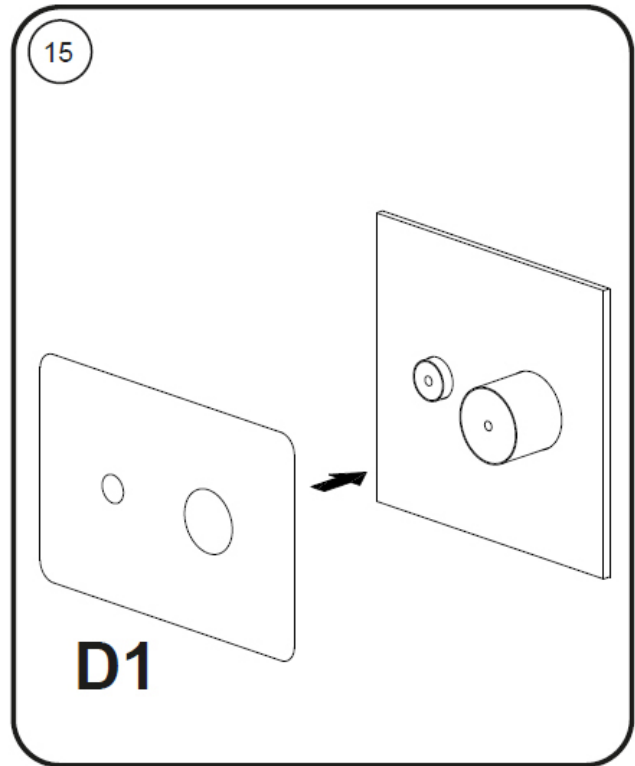
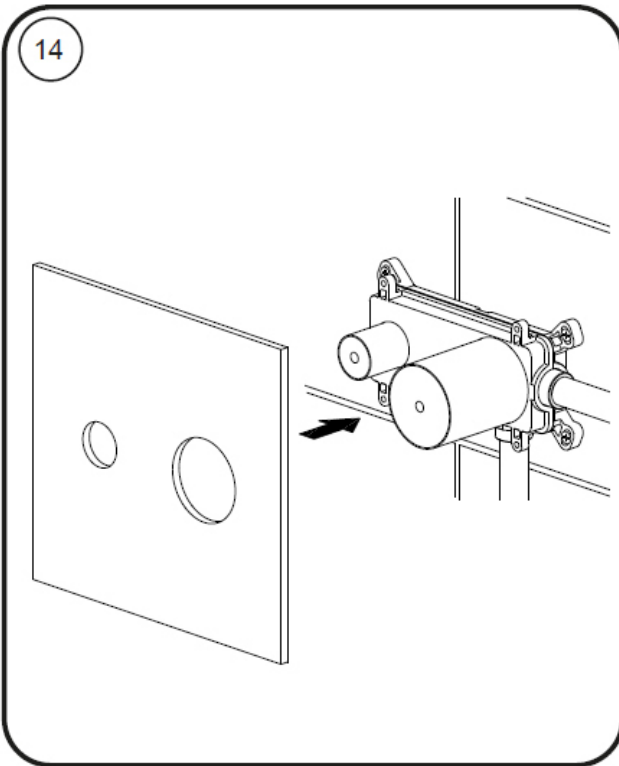
CIFIAL®

www.cifial.co.uk
sales@cifial.co.uk



CIFIAL®

www.cifial.co.uk
sales@cifial.co.uk



CIFIAL®

www.cifial.co.uk
sales@cifial.co.uk

CIFIAL®

www.cifial.co.uk
sales@cifial.co.uk