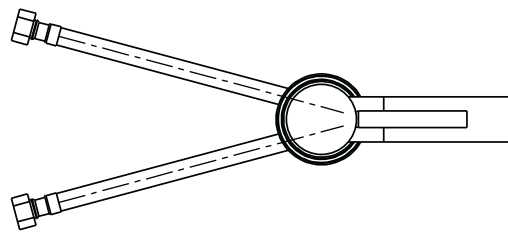
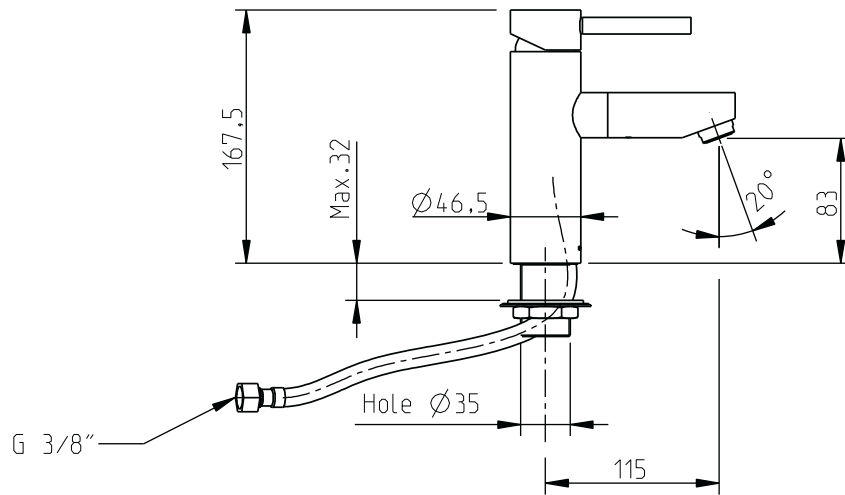


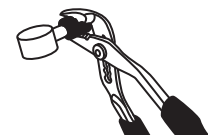
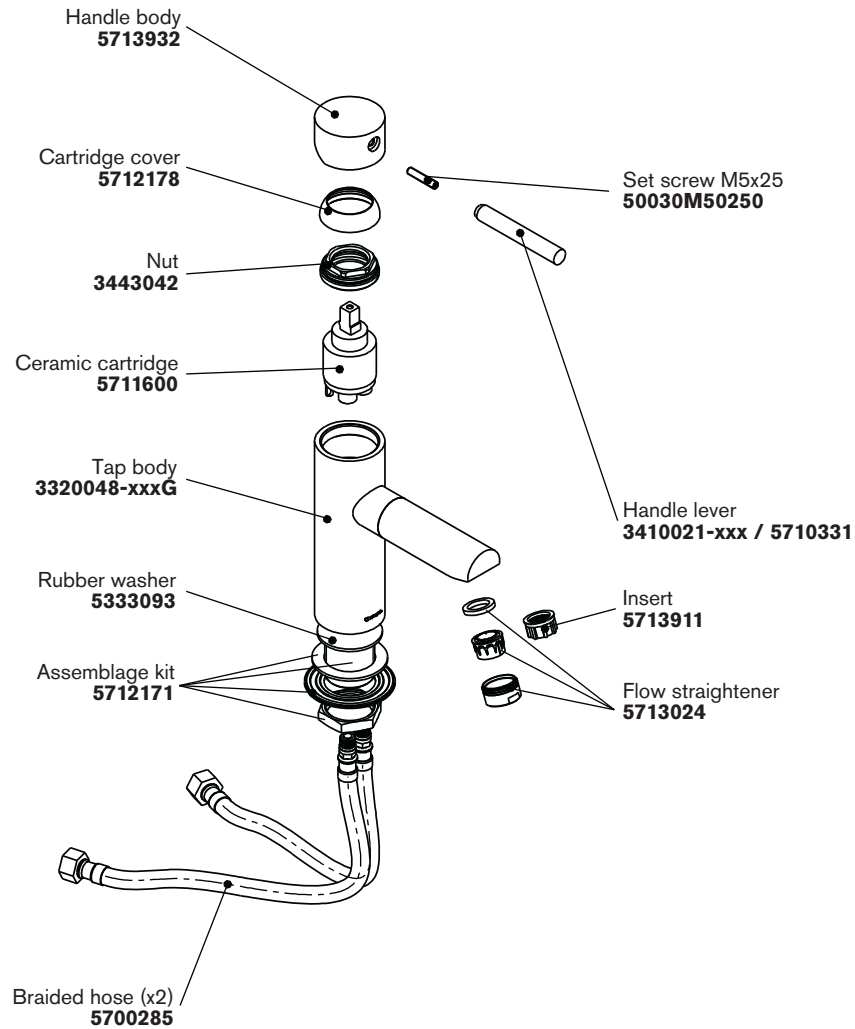
# TECHNOVATION 465

## Monobloc basin mixer



[www.cifial.eu](http://www.cifial.eu)  
[www.cifial.pt](http://www.cifial.pt)  
[www.cifial.pl](http://www.cifial.pl)  
[www.cifial.es](http://www.cifial.es)  
[www.cifial.co.uk](http://www.cifial.co.uk)  
[www.cifialusa.com](http://www.cifialusa.com)

Note: dimensions in mm



[www.cifial.eu](http://www.cifial.eu)  
[www.cifial.pt](http://www.cifial.pt)  
[www.cifial.pl](http://www.cifial.pl)  
[www.cifial.es](http://www.cifial.es)  
[www.cifial.co.uk](http://www.cifial.co.uk)  
[www.cifialusa.com](http://www.cifialusa.com)

Notes:  
1) Low pressure water supply system:  
use low pressure insert.  
2) xxx represent different finishing.

Installer: Please leave all leaflets with the building owner to file for future reference