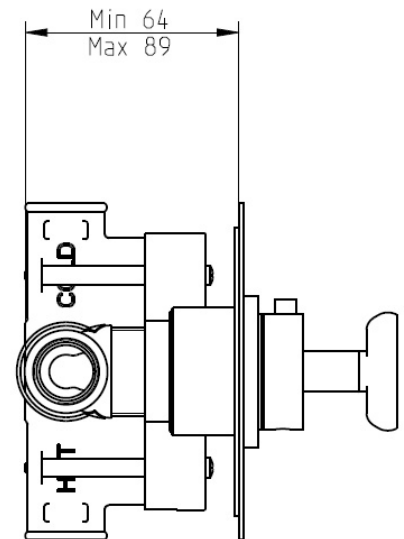
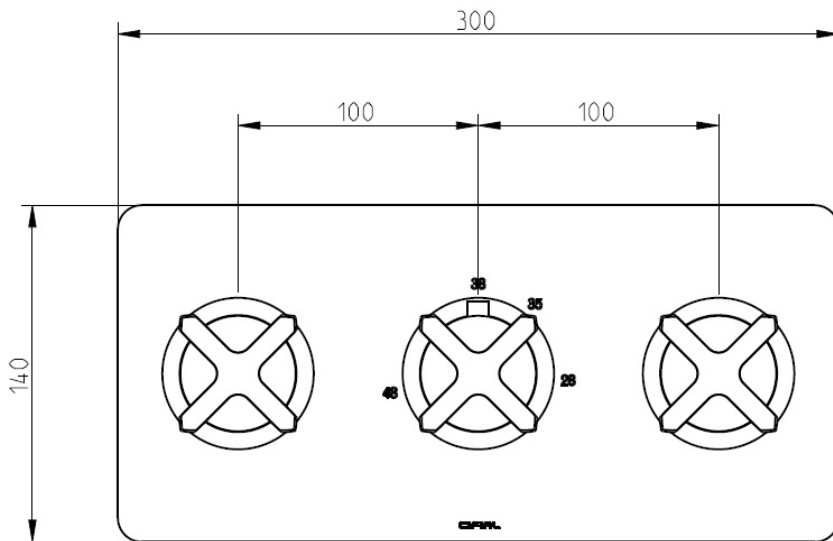
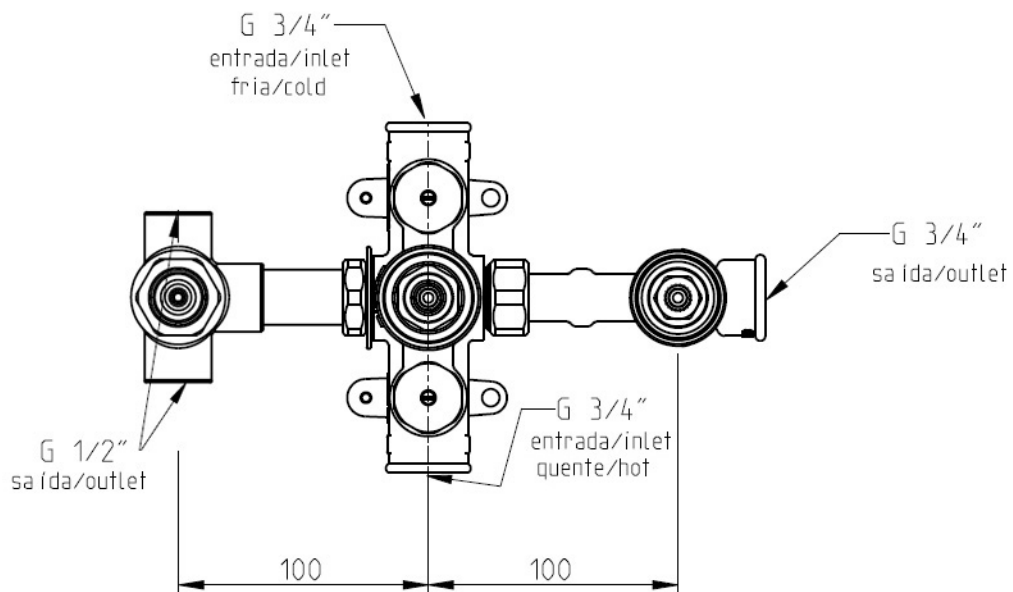


TEXA

3 control landscape thermostatic valve with diverter

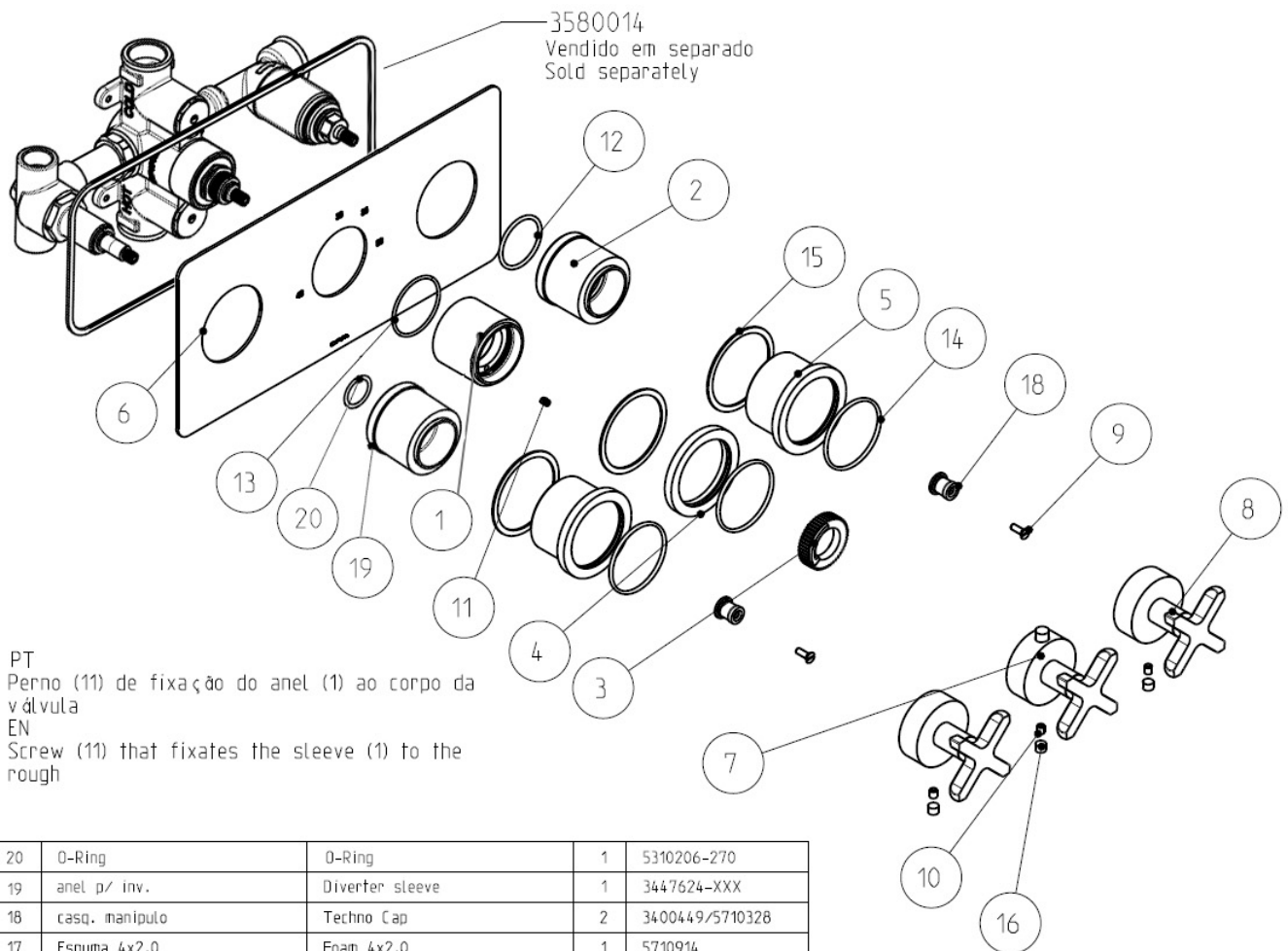


PT
 Recomendação: Instalação feita
 na profundidade média (76,5mm)
 EN
 Recommendation: Installation
 done at medium depth (76,5mm)



TEXA

3 control landscape thermostatic valve with diverter

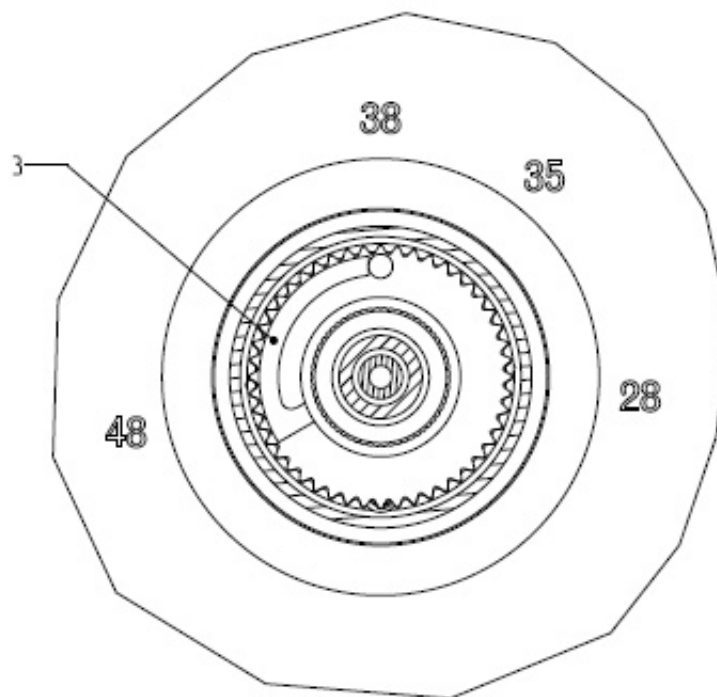


20	O-Ring	O-Ring	1	5310206-270
19	anel p/ inv.	Diverter sleeve	1	3447624-XXX
18	casq. manipul	Techno Cap	2	3400449/5710328
17	Espuma 4x2.0	Foam 4x2.0	1	5710914
16	Protecção do furo do manipul	Handle Hole Cover	3	5410016
15	Anilha 61X53X4	Washer 61X53X4	3	5370000
14	O-Ring	O-Ring	3	5310480-200
13	O-Ring 41x2	O-Ring 41x2	1	5310410-200
12	O-Ring	O-Ring	1	5310361-262
11	Perno ponta concava	Cup point grub screw	1	5020387
10	Perno M5x6	Set Screw M5x6	3	5020284
9	pf DIN 963 M4x12-A2	screw DIN 963 M4x12-A2	2	5020226
8	Cj. manipul	Handle kit	2	3447674-XXX
7	Cj. Manipulo termostático	Thermostatic handle kit	1	3447673-XXX
6	Espelho	Plate	1	3447640-XXX
5	anel p/inv e castelo 3/4	Ring for shower valve	2	3447627-XXX
4	Anel Termostatica	Thermostatic ring	1	3447626-XXX
3	Anel Limitador	Temperature Limit ring	1	3447625
2	anel castelo 3/4	Castle sleeve	1	3447623-XXX
1	anel p/term.embufir	Thermostatic cartridge sleeve	1	3447622-XXX
Pos	Designação	Designation	Qt.	Código

CIFIAL

TEXA

3 control landscape thermostatic valve with diverter



PT

Para garantir o correto funcionamento do anel limitador de temperatura (3) de acordo com a marcação do espelho é importante que este seja instalado na posição evidenciada na imagem acima. O botão do manipulador termostático fica perfeitamente alinhado com os 38°C.

EN

To ensure that the temperature limit protection ring (3) works correctly according to the marking on the plate, it is important that it is installed in the position shown in the image above. The button of the thermostatic handle stays perfectly aligned with the 38°C.

TEXA

3 control landscape thermostatic valve with diverter

EN

Operation

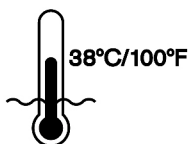
The left handle stops water flow when positioned on the center ($\pm 15^\circ$) and diverts between the two outlets. The middle handle controls only the water temperature. The right handle turns on and off the water and controls the flow rate. The comfort zone is in the range from 32°C to 38°C , but total range is 28°C to 48°C . Protection against scalding stops the rotation of the handle at 38°C . If water above 38°C is desired, press on the button and turn the knob counterclockwise, to prevent scalding, ensure that the handle is left in a previous position ($=$ or $< 38^\circ\text{C}$).

Prior to use - Setting the temperature

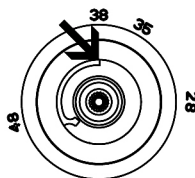
1. With the stop valve (flow control) in the off position, remove the thermostatic valve handle and the temperature limit ring.
2. Put back on the thermostatic valve handle and turn clockwise until the cartridge "clicks". This is now set at fully cold.
3. Turn on stop valve and turn the thermostatic valve handle anti-clockwise until the desired temperature is reached, ie 38°C . Use a thermometer to check if the temperature is correct.
4. Turn off the stop valve, remove the thermostatic valve handle and replace the temperature limit ring with the red dot in the 12 o'clock position, ie corresponding with the 38°C on the etched plate.
5. Replace the thermostatic valve handle with the temperature override button position just prior to the 38°C .
6. Your thermostatic valve is now ready for use.

note: It's recommended that you rotate the thermostatic control handle between the maximum and minimum limits, by pressing security button, and with the water running. This way you prevent limestone incrustation, that could block up the thermostatic cartridge.

3.

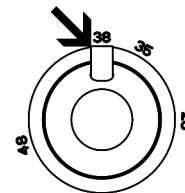


4.

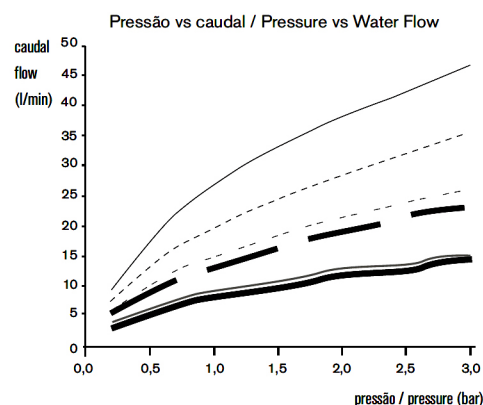
Red mark aligned to the mark 38°C 

5.

Anti-scalding button



www.cifial.pt | cifial@cifial.pt
 www.cifial.es | cifial@cifial.es
 www.cifial.co.uk | sales@cifial.co.uk
 www.cifialusa.com
 www.cifial.pl | cifial@cifial.pl



- Mistura (chuveiro mão)
Mix (handshower)
- - - Mistura (chuveiro)
Mix (showerhead)
- Mistura (banheira)
Mix (bath tub)
- 100% água fria (chuveiro de mão)
100% cold water (handshower)
- 100% água fria (chuveiro)
100% cold water (showerhead)
- - - 100% água fria (banheira)
100% cold water (bath tub)

dimensions mm