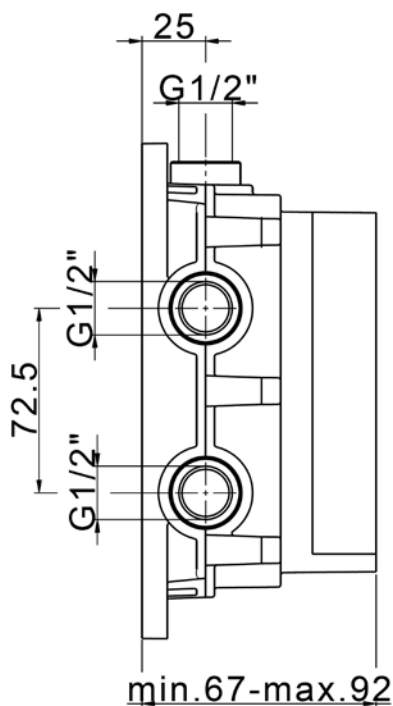
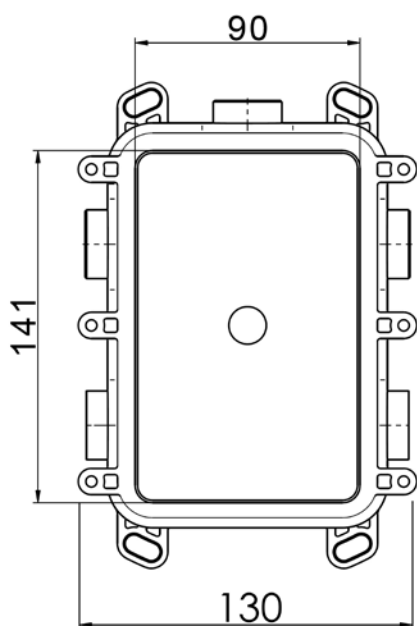


# UmaBox installation

Concealed part for 1,2 or 3 outlet  
thermostatic valves

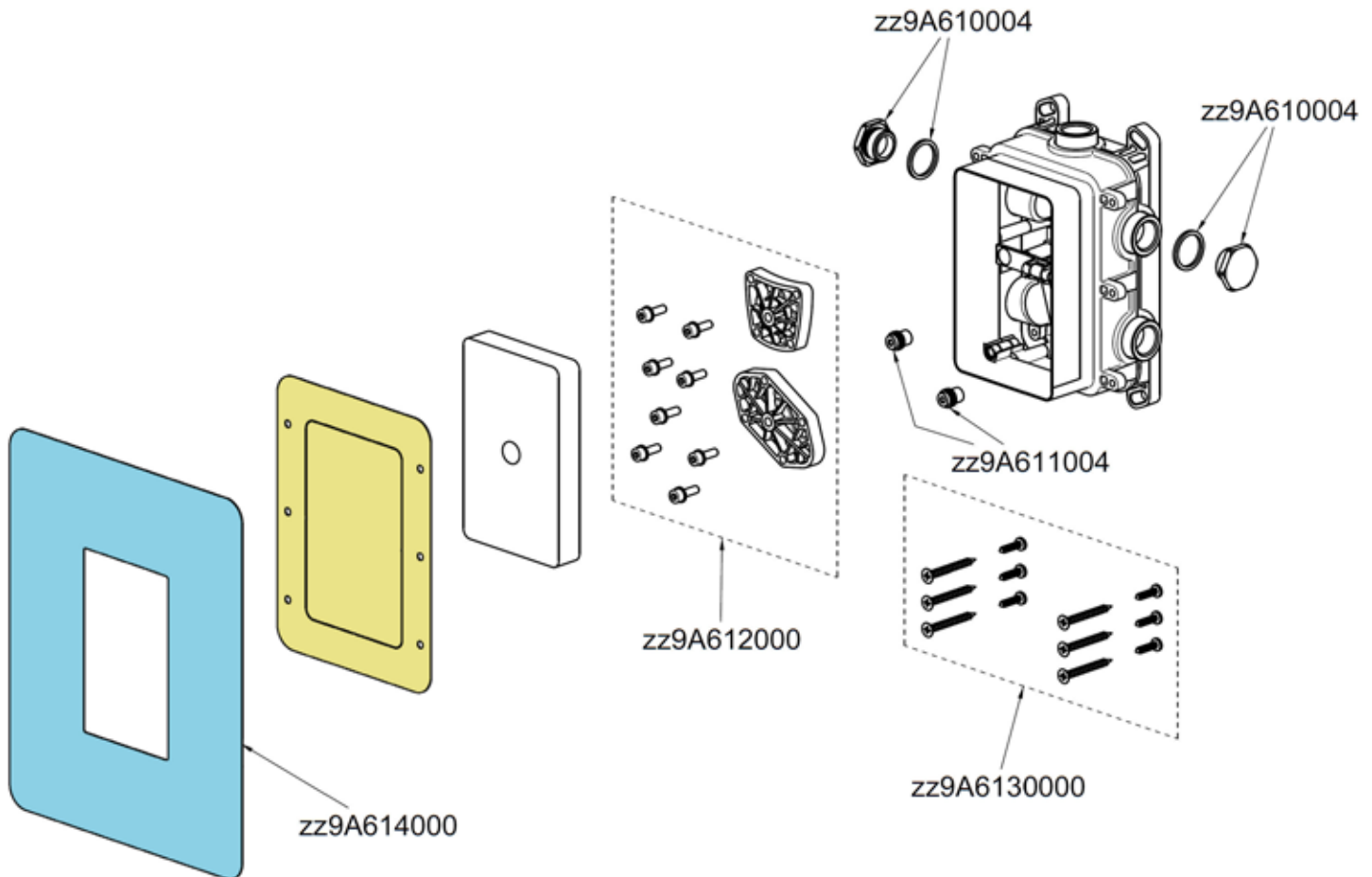


# CIFIAL®

www.cifial.co.uk  
sales@cifial.co.uk

dimensions mm

\*\* Please leave these instructions  
with the user and keep them

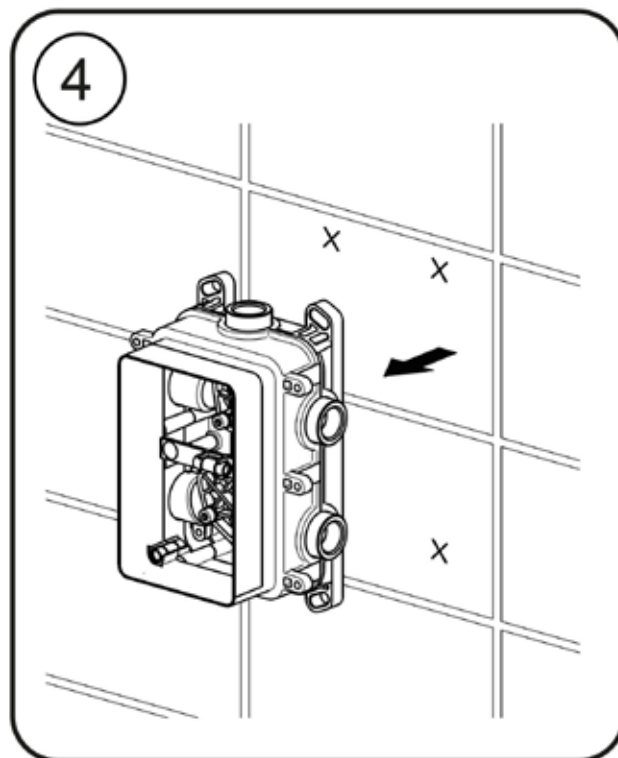
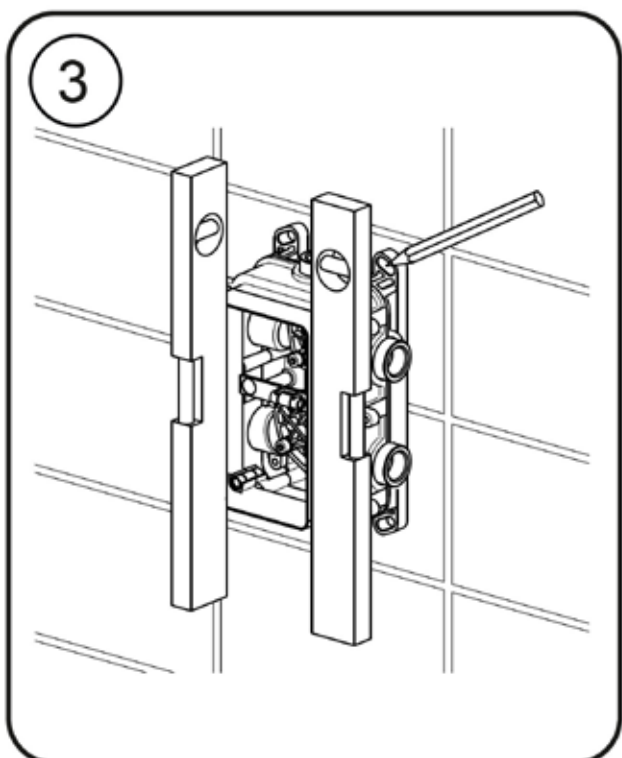
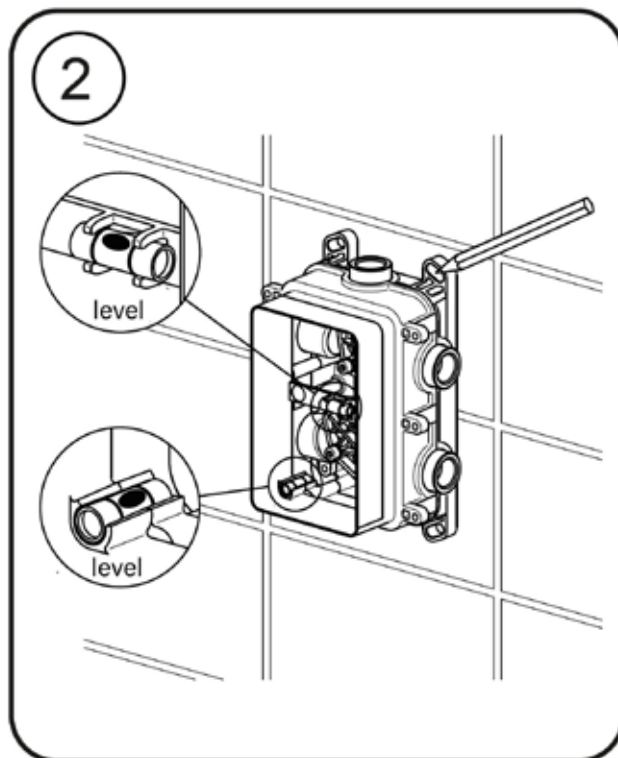
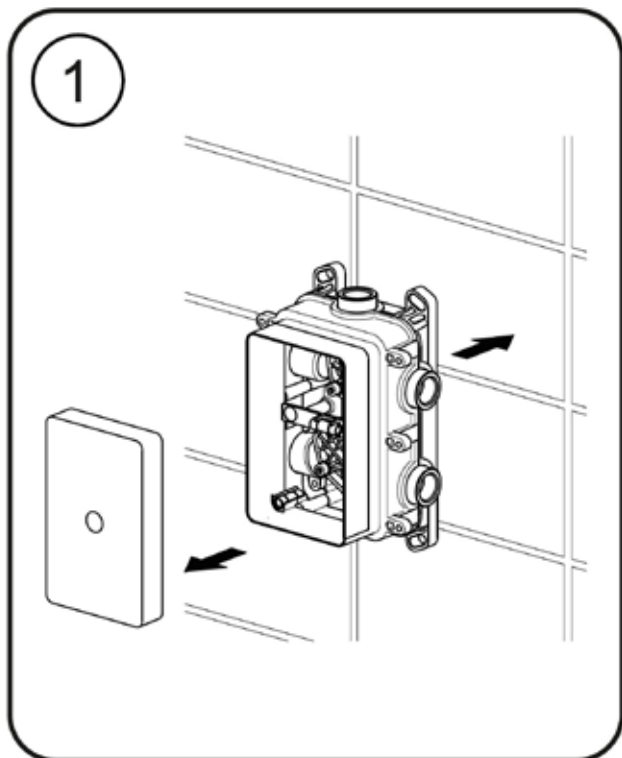


## OPERATING CONDITIONS

- Minimum dynamic pressure.....1 bar
- Recommended working pressure (static).....3 bar  
(ATTENTION: when pressure exceeds 5 bar, the installation of a pressure reducer is recommended)
- Maximum working pressure (static).....5 bar
- Maximum test pressure (static).....16 bar
- Maximum hot water temperature.....80 °C
- Recommended hot water temperature.....65 °C (for safety and energy saving)

# CIFIAL®

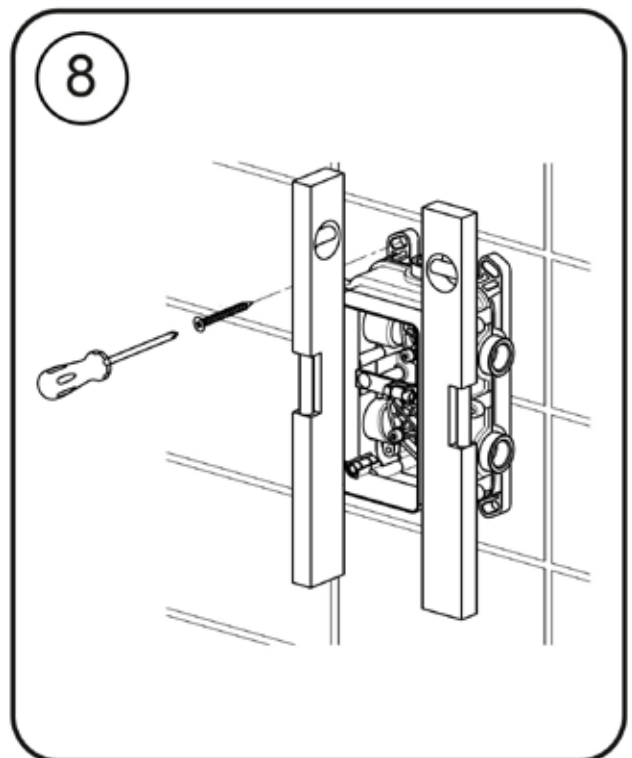
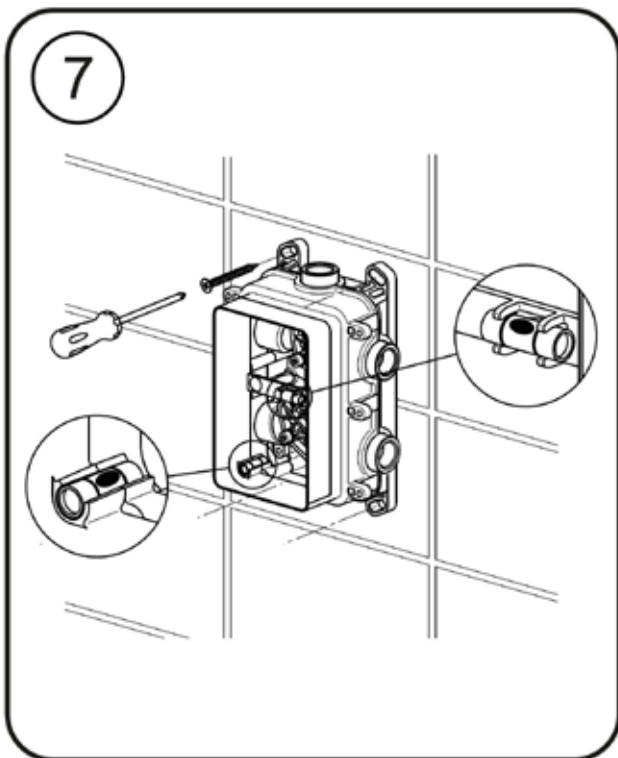
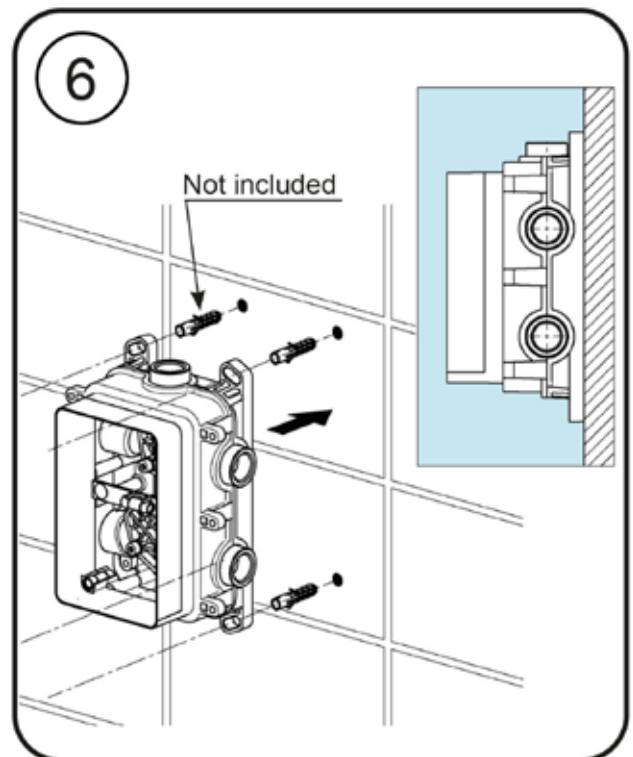
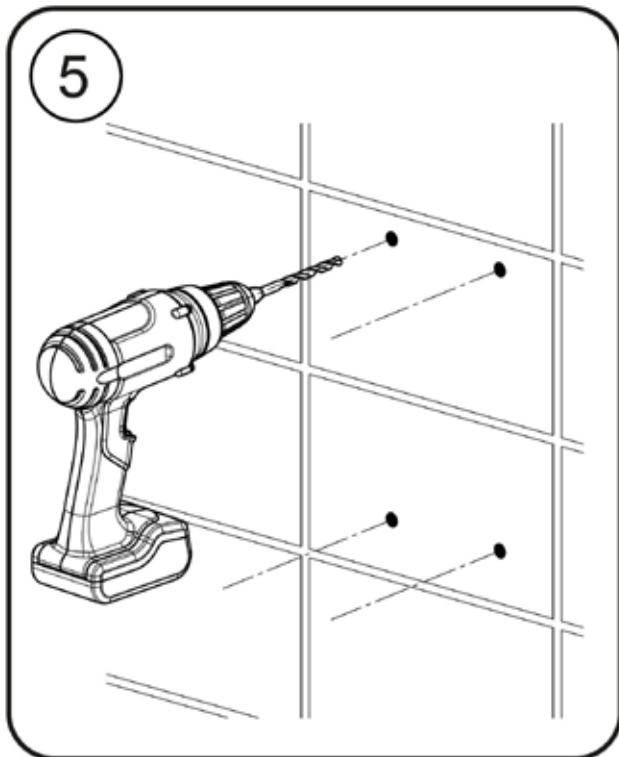
www.cifial.co.uk  
sales@cifial.co.uk



**CIFIAL<sup>®</sup>**

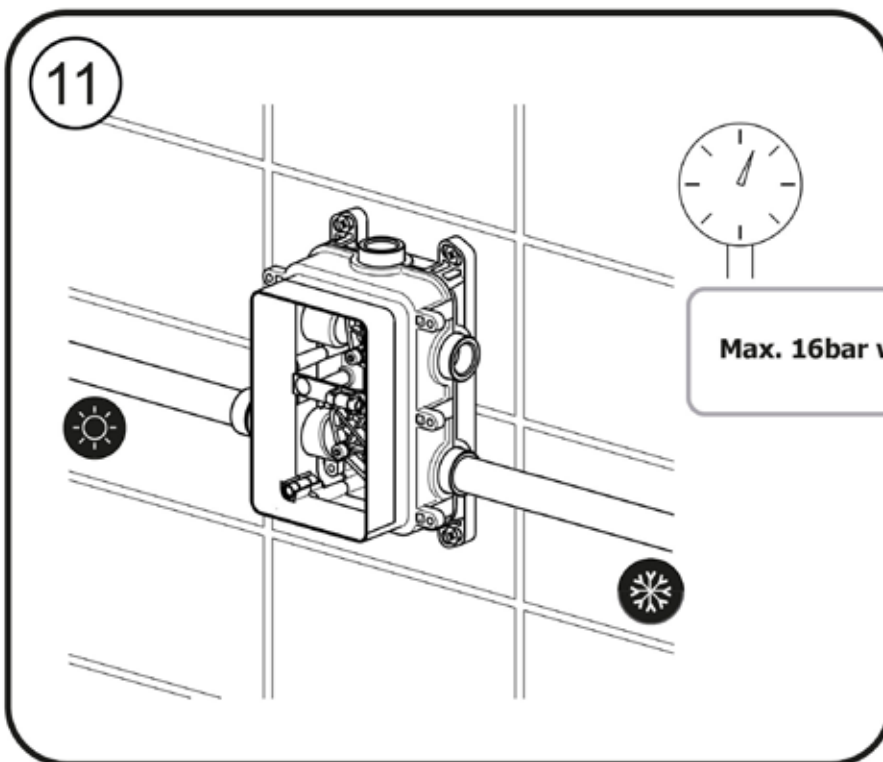
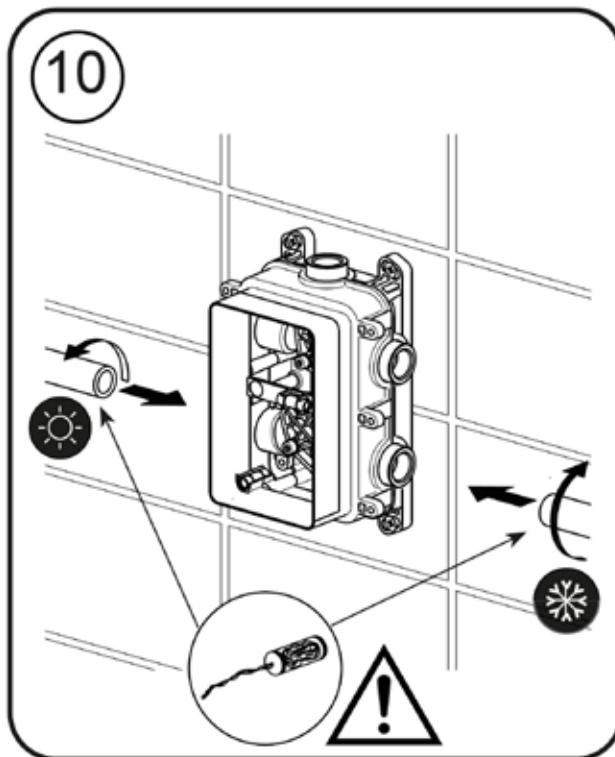
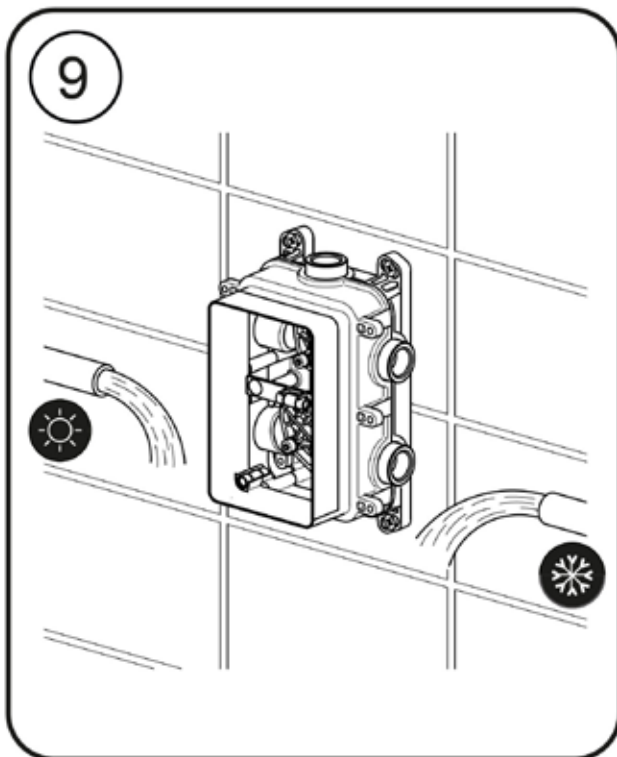
[www.cifial.co.uk](http://www.cifial.co.uk)  
[sales@cifial.co.uk](mailto:sales@cifial.co.uk)

### 3 UmaBox installation



# CIFIAL<sup>®</sup>

[www.cifial.co.uk](http://www.cifial.co.uk)  
[sales@cifial.co.uk](mailto:sales@cifial.co.uk)



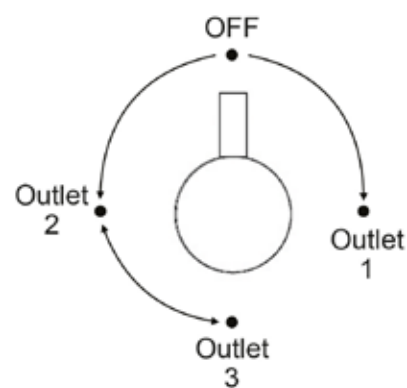
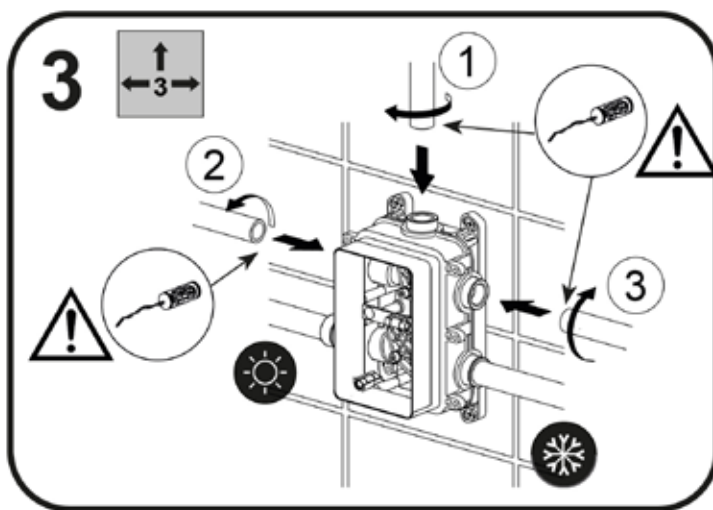
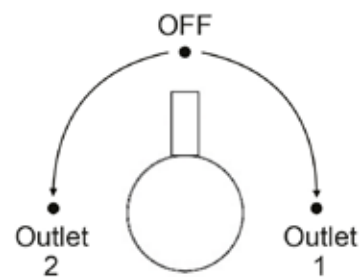
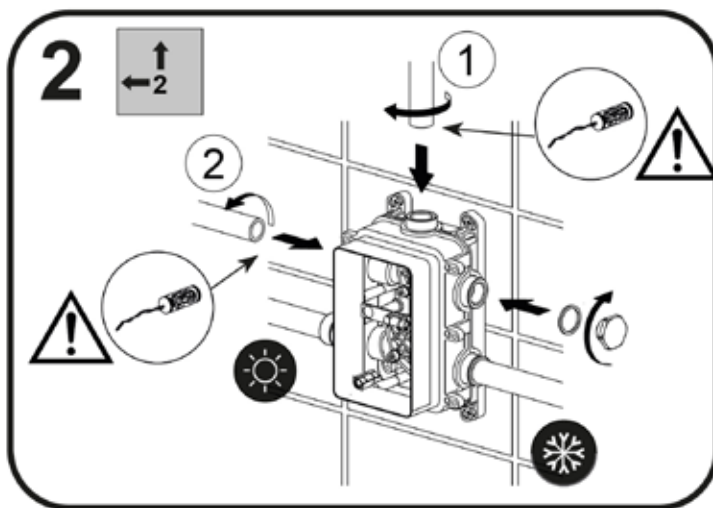
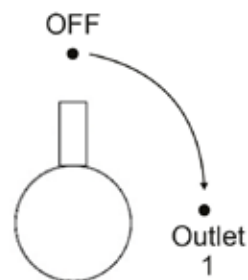
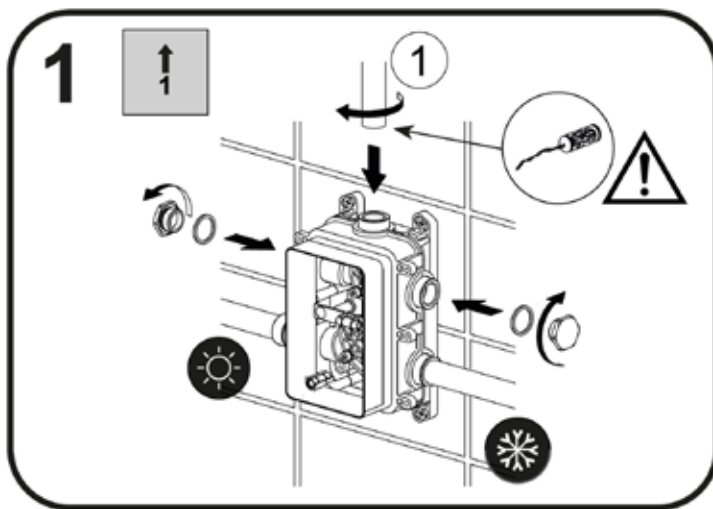
Max. 16bar with water - Max. 3hours

# CIFIAL<sup>®</sup>

[www.cifial.co.uk](http://www.cifial.co.uk)  
[sales@cifial.co.uk](mailto:sales@cifial.co.uk)

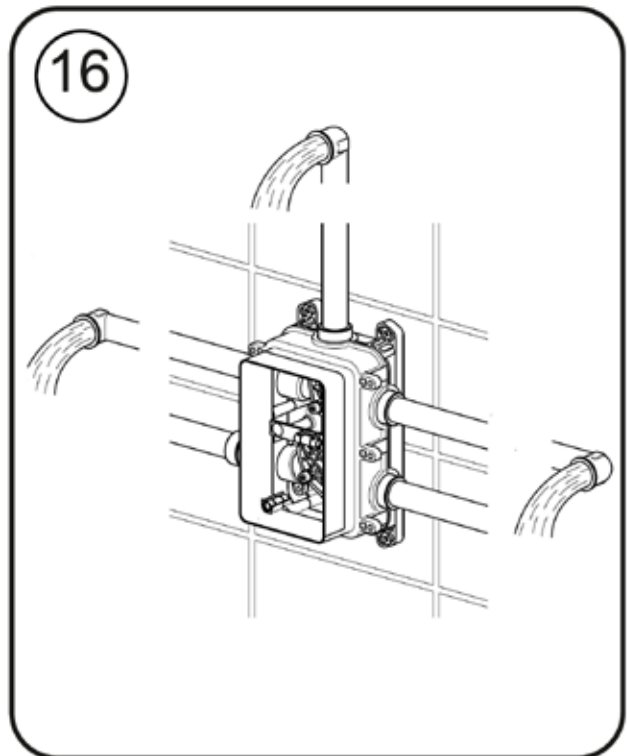
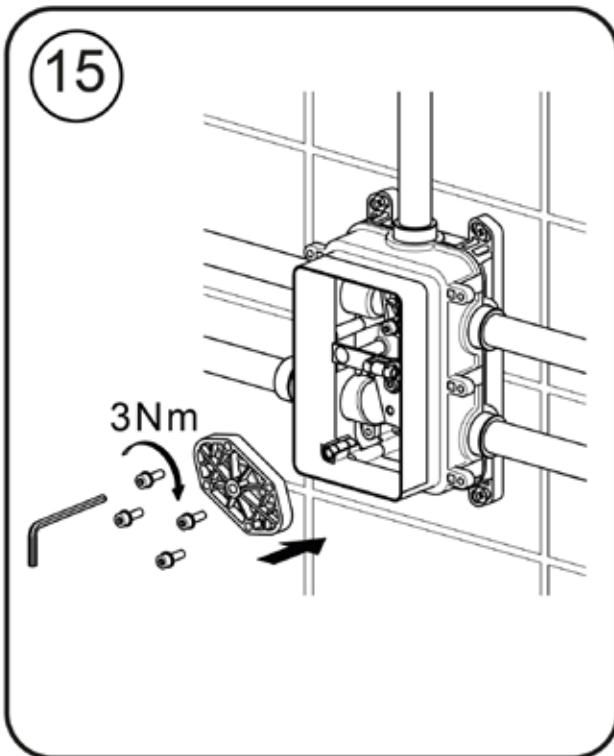
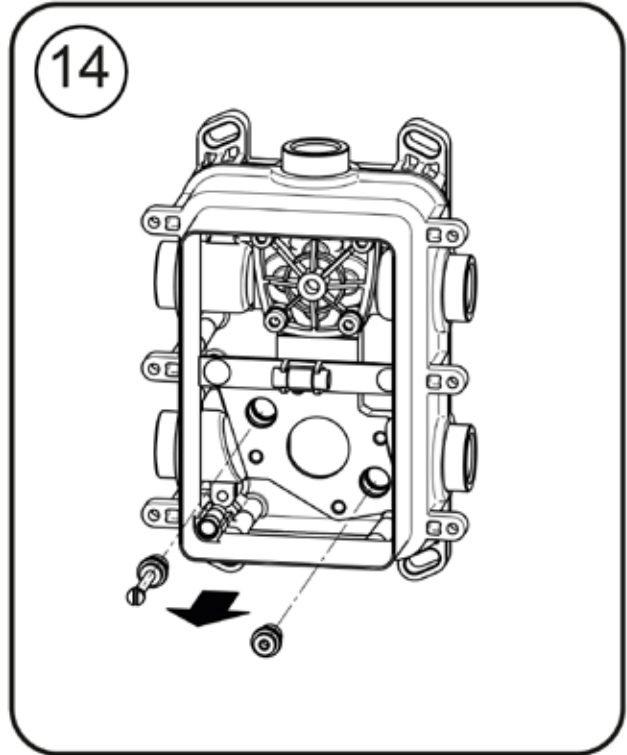
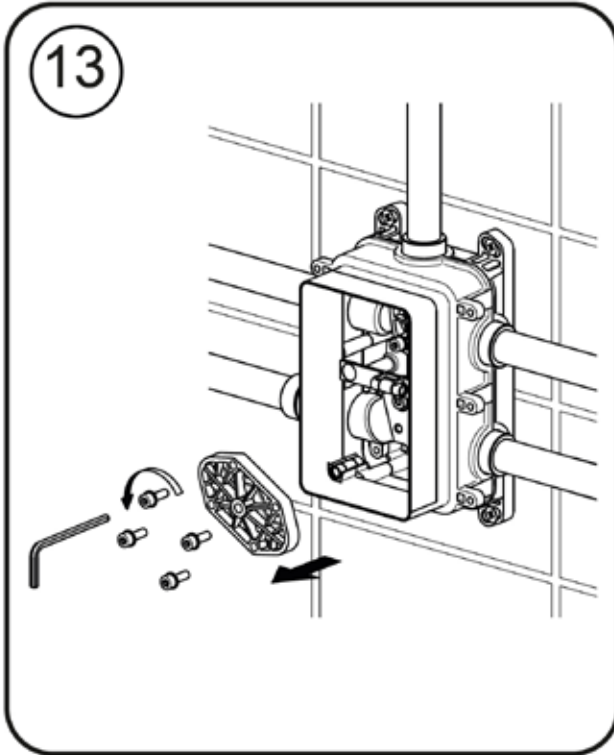
# 5 UmaBox installation

12



# CIFIAL®

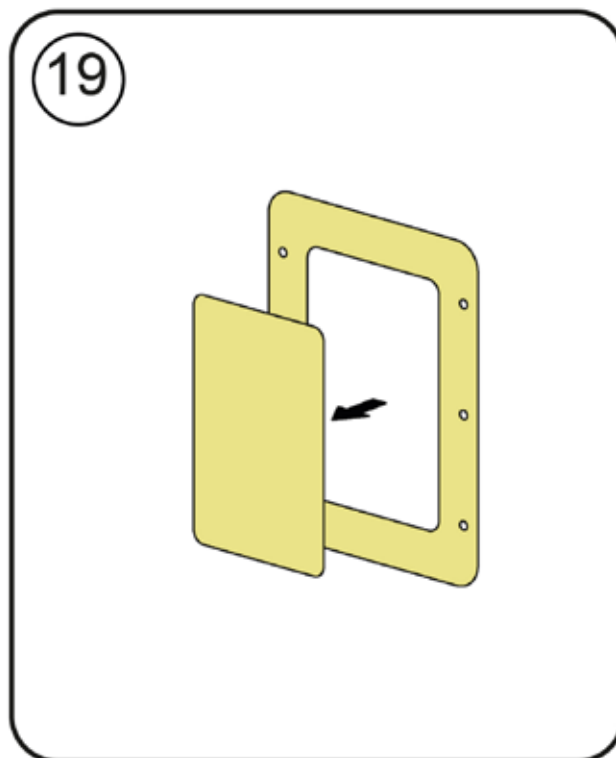
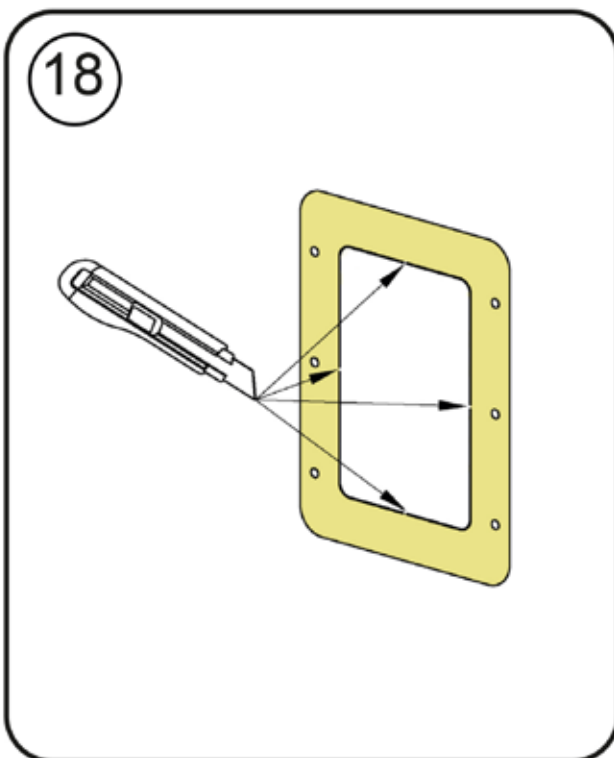
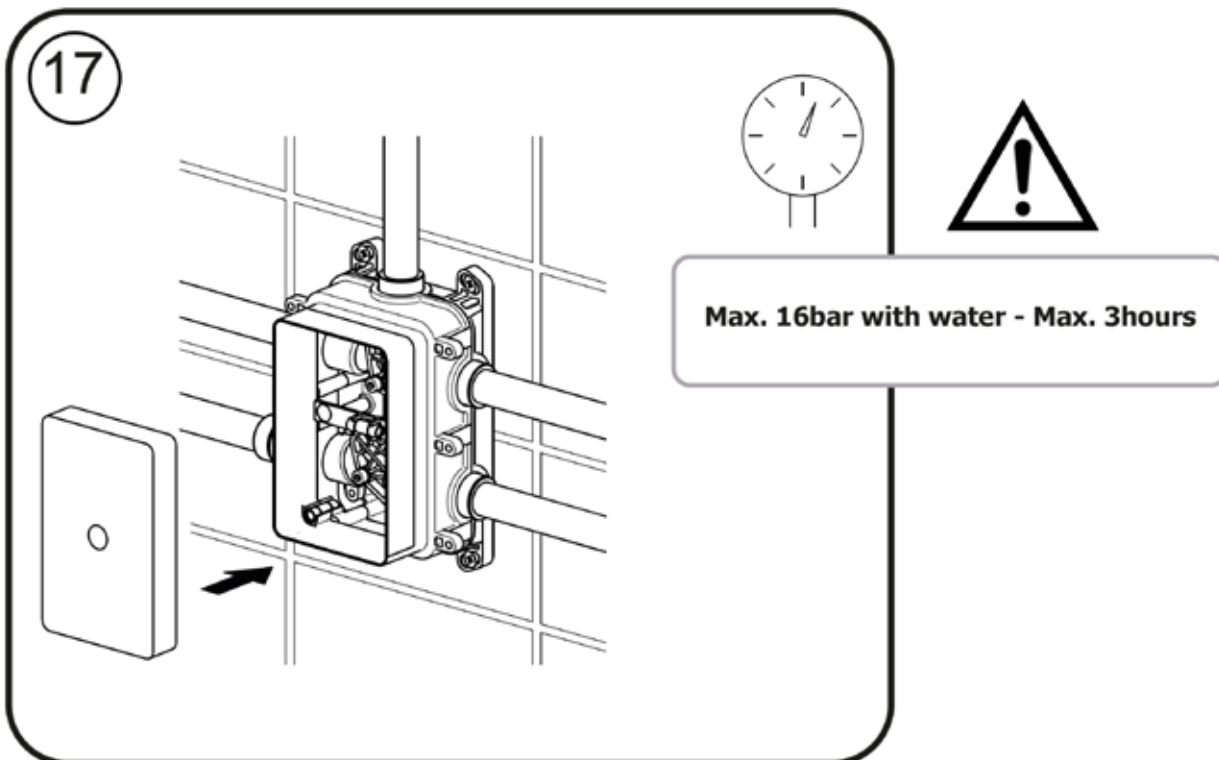
www.cifial.co.uk  
sales@cifial.co.uk



# CIFIAL®

[www.cifial.co.uk](http://www.cifial.co.uk)  
[sales@cifial.co.uk](mailto:sales@cifial.co.uk)

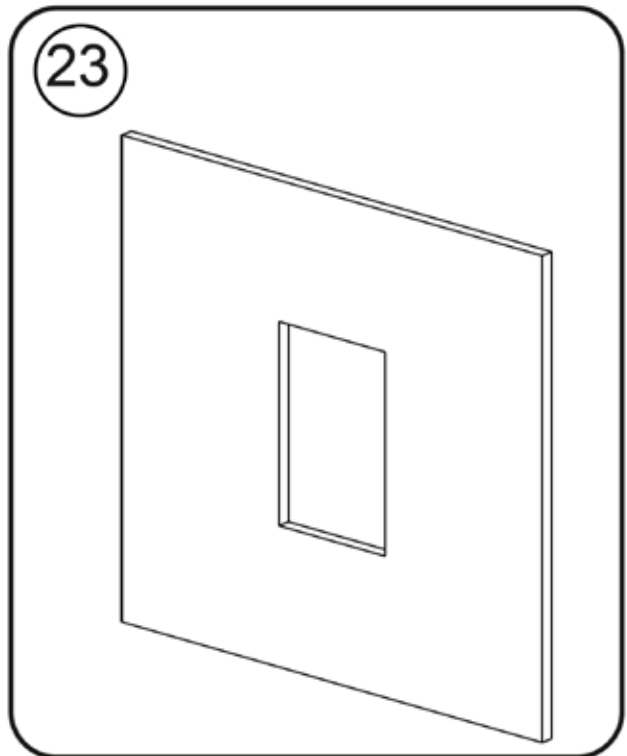
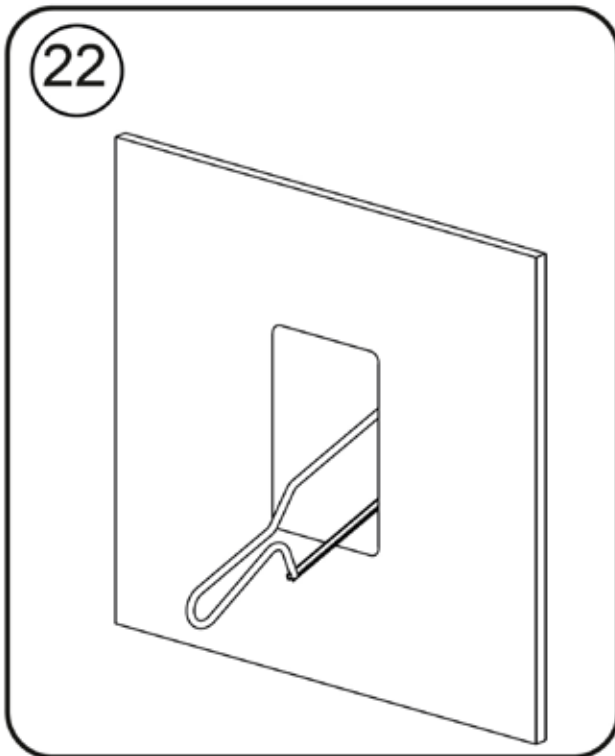
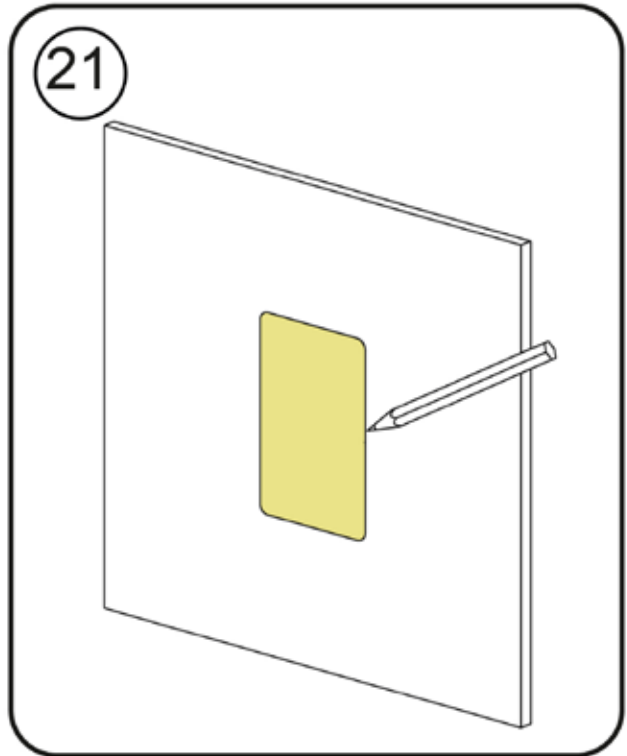
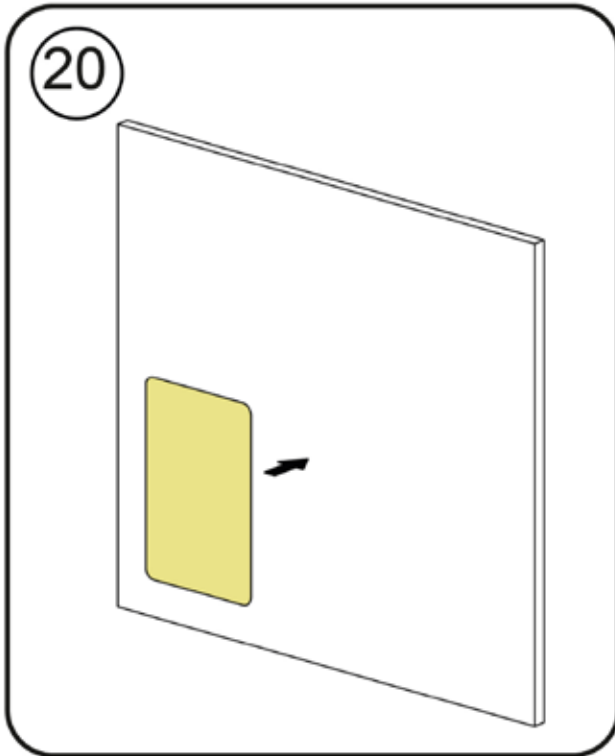
# 7 UmaBox installation

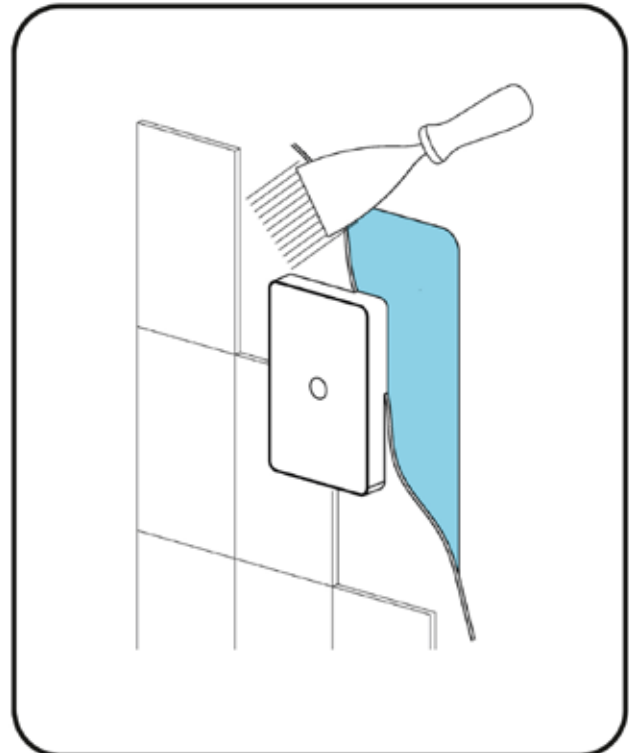
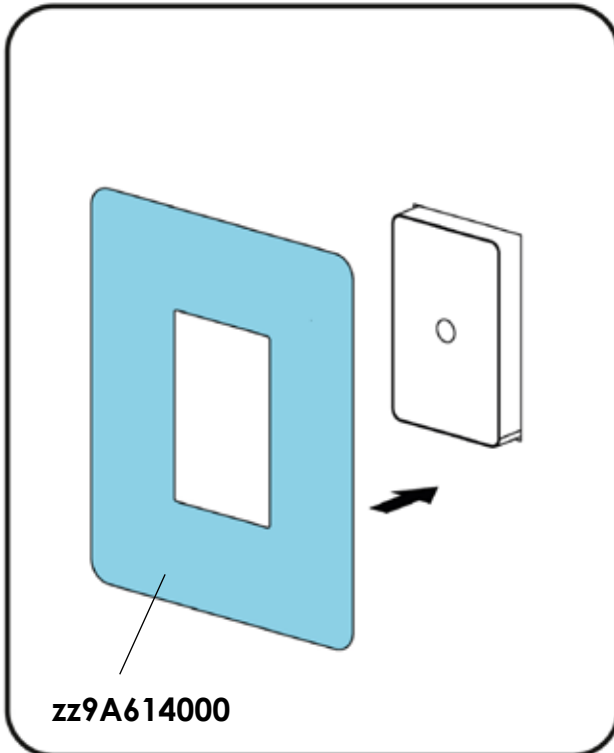
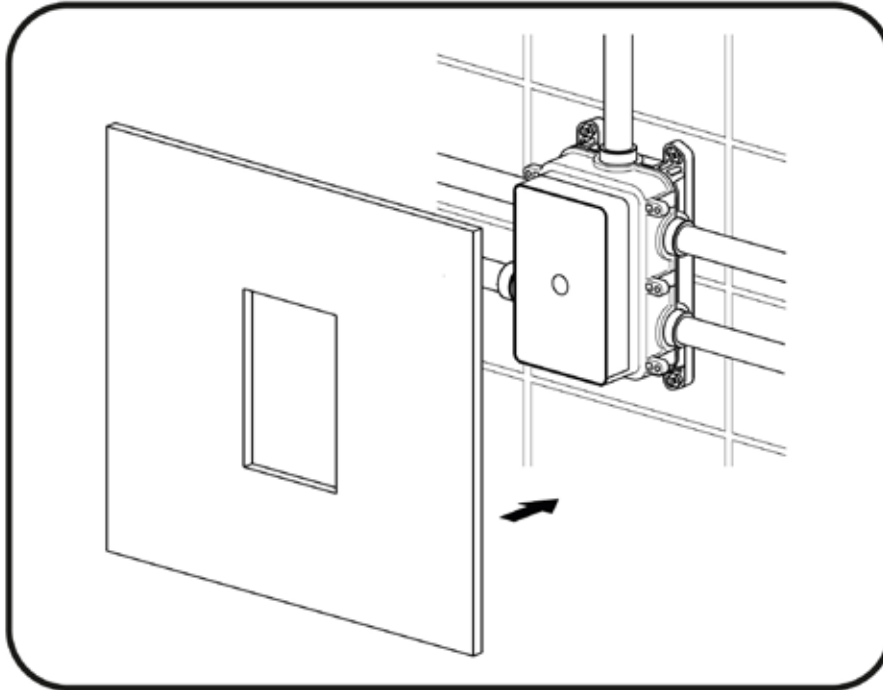


**CIFIAL®**

www.cifial.co.uk  
sales@cifial.co.uk







# CIFIAL®

[www.cifial.co.uk](http://www.cifial.co.uk)  
[sales@cifial.co.uk](mailto:sales@cifial.co.uk)



# **CIFIAL®**

**CIFIAL UK LTD  
7 Faraday Court  
Park Farm Ind Est  
Wellingborough  
Northants  
NN8 6XY  
[www.cifial.co.uk](http://www.cifial.co.uk)  
[sales@cifial.co.uk](mailto:sales@cifial.co.uk)  
Tel: 01933 402008**

---

**IMPORTANT:** Please leave these instructions with the user and keep them